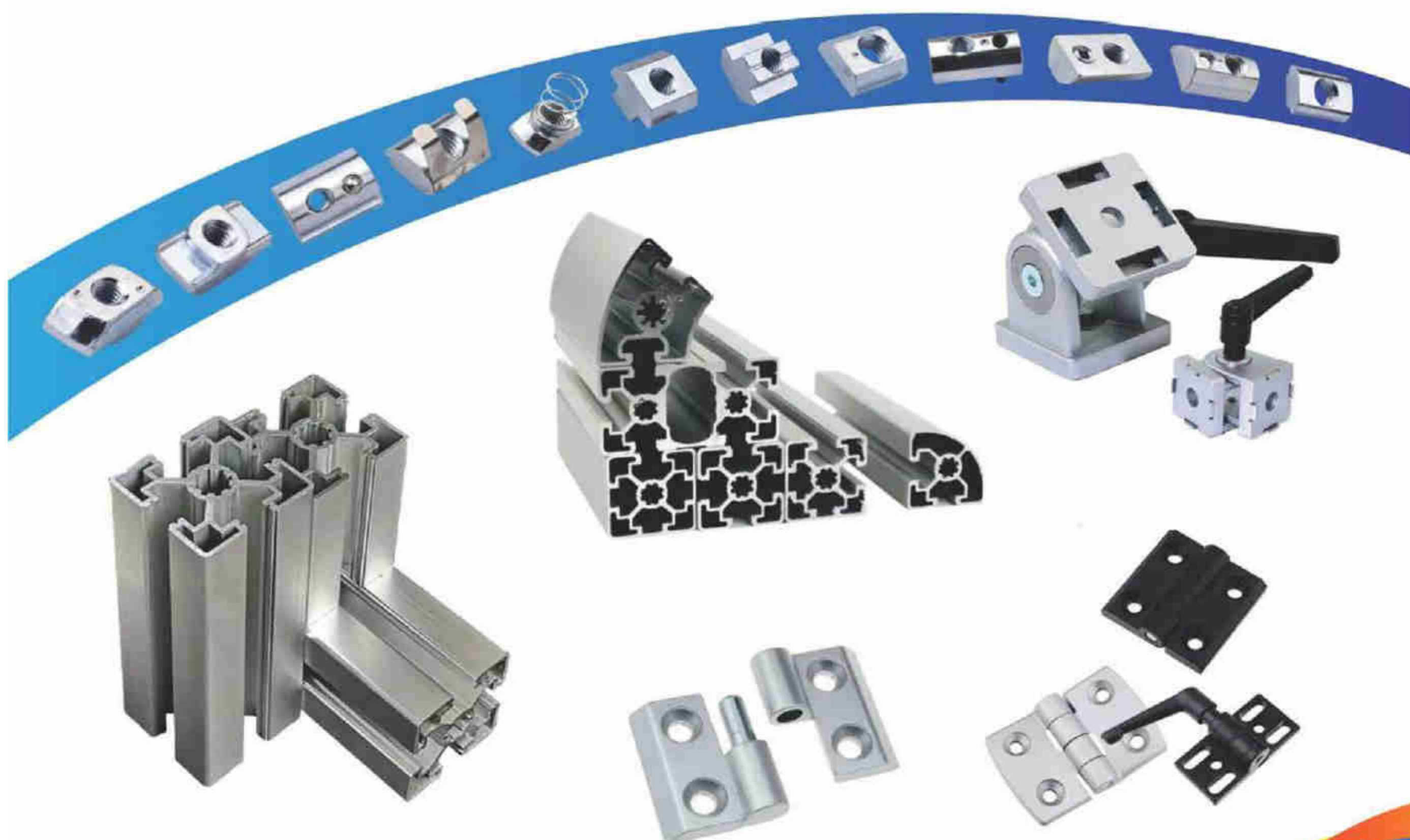


# ALUMINUM PROFILES AND ACCESSORIES



## JUZER ENGINEERING & CO





## **JUZER ENGINEERING & Co**

Juzer Engineering & Co was founded in 1995 as a trading company operating in work-holding and assembly technologies.

We have grown to become one of the largest vendors of Aluminum Profile & Accessories and ABS Pipes & Joints in Southern India.

Our knowledgeable sales team offer work-holding and assembling solutions for client-specific applications to a wide range of industries.

Our range of Aluminum profiles are available in all dimensions starting right from 20x20 through to 90x90. Our extensive range of fastening and connecting accessories ensure that you may find a suitable solution whatever your needs may be.



## **JUZER ENGINEERING & Co**

New # 21 (Old No. 11) Errabalu Chetty Street, 1st Floor,

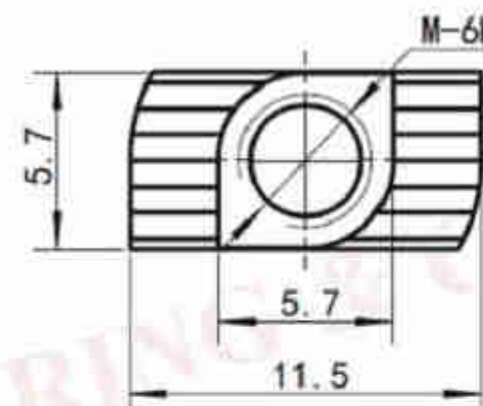
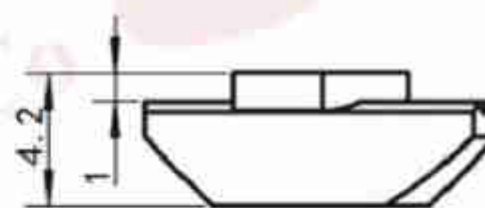
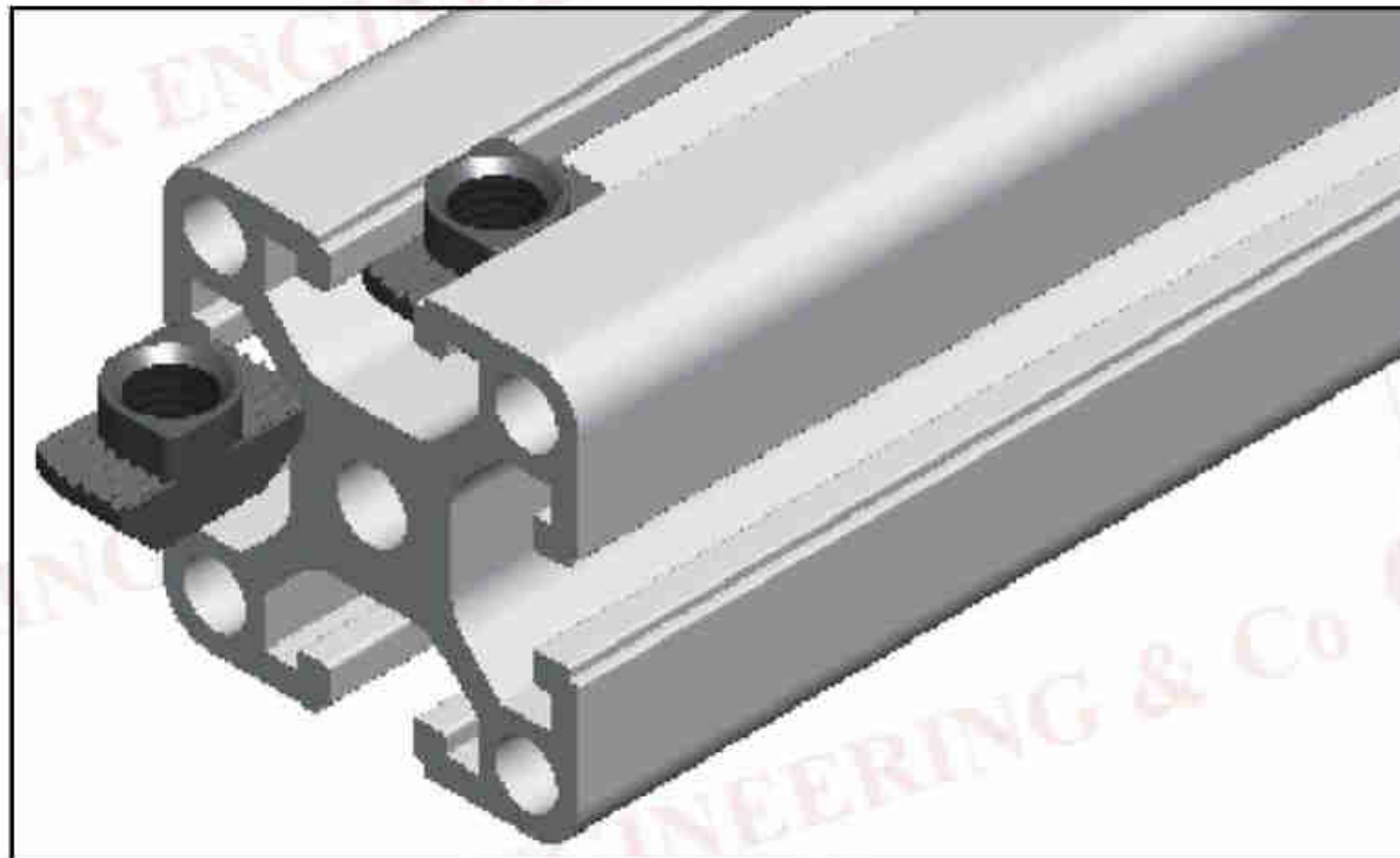
Shop No. F4, Chennai - 600 001. Phone : 044 - 2539 6141, 2539 6151

E-mail : [sales@juzerengineering.com](mailto:sales@juzerengineering.com) | Web : [www.juzerengineering.com](http://www.juzerengineering.com)

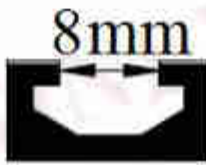
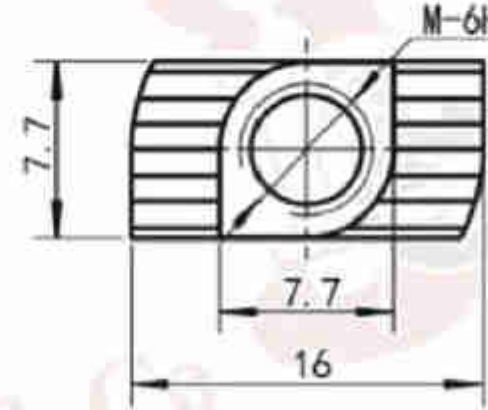
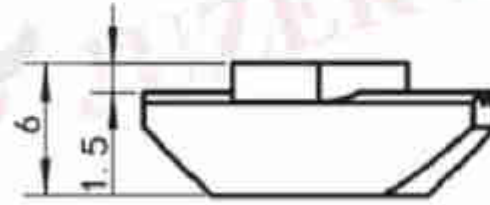
## **TABLE OF CONTENTS**

---

<b>NUTS</b>	<b>01</b>
<b>BOLTS &amp; SCREWS</b>	<b>09</b>
<b>CENTRE CONNECTORS</b>	<b>15</b>
<b>FLEXIBLE CONNECTORS</b>	<b>18</b>
<b>BRACKETS</b>	<b>19</b>
<b>PIVOT JOINTS</b>	<b>33</b>
<b>CONNECTORS</b>	<b>37</b>
<b>BASE PLATES &amp; FLOOR MOUNTS</b>	<b>41</b>
<b>HINGES &amp; TOOL HANGERS</b>	<b>45</b>
<b>UNIBLOCKS</b>	<b>49</b>
<b>CATCHES, LATCHES &amp; HANDLES</b>	<b>53</b>
<b>T-SLOT COVERS, REDUCERS &amp; ROLLER ELEMENTS</b>	<b>57</b>
<b>ENDCAPS &amp; LEVELING PADS</b>	<b>60</b>
<b>LEVELING CASTORS</b>	<b>65</b>
<b>BALL TRANSFER UNITS</b>	<b>69</b>
<b>ALUMINUM PROFILES &amp; DUCTS</b>	<b>71</b>

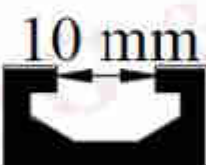
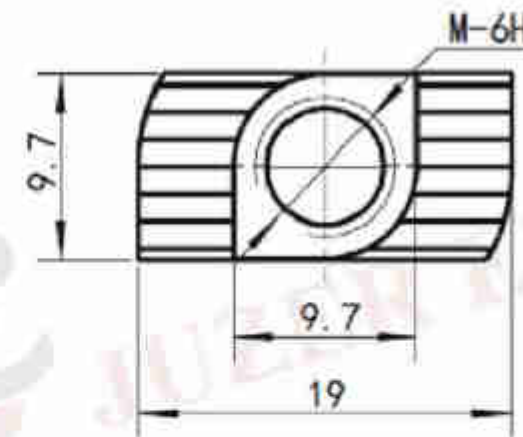
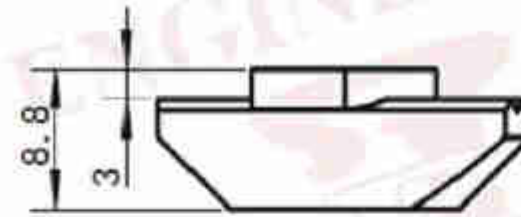


Thread Size	Part Number	Surface	Material
M3	J01-HN-0603-M3-WZ	Zinc Plated	Carbon Steel
M4	J01-HN-0604-M4-WZ	Zinc Plated	Carbon Steel
M5	J01-HN-0605-M5-WZ	Zinc Plated	Carbon Steel
M3	J01-HN-0603-M3-NP	Nickel Plated	Carbon Steel
M4	J01-HN-0604-M4-NP	Nickel Plated	Carbon Steel
M5	J01-HN-0605-M5-NP	Nickel Plated	Carbon Steel



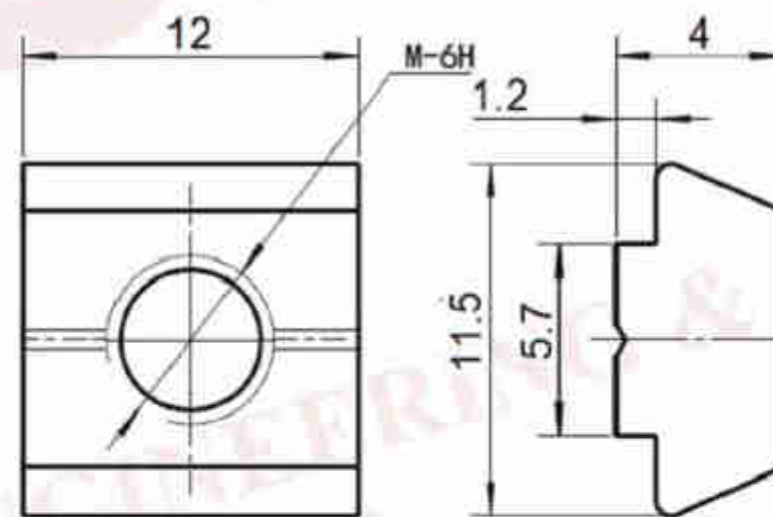
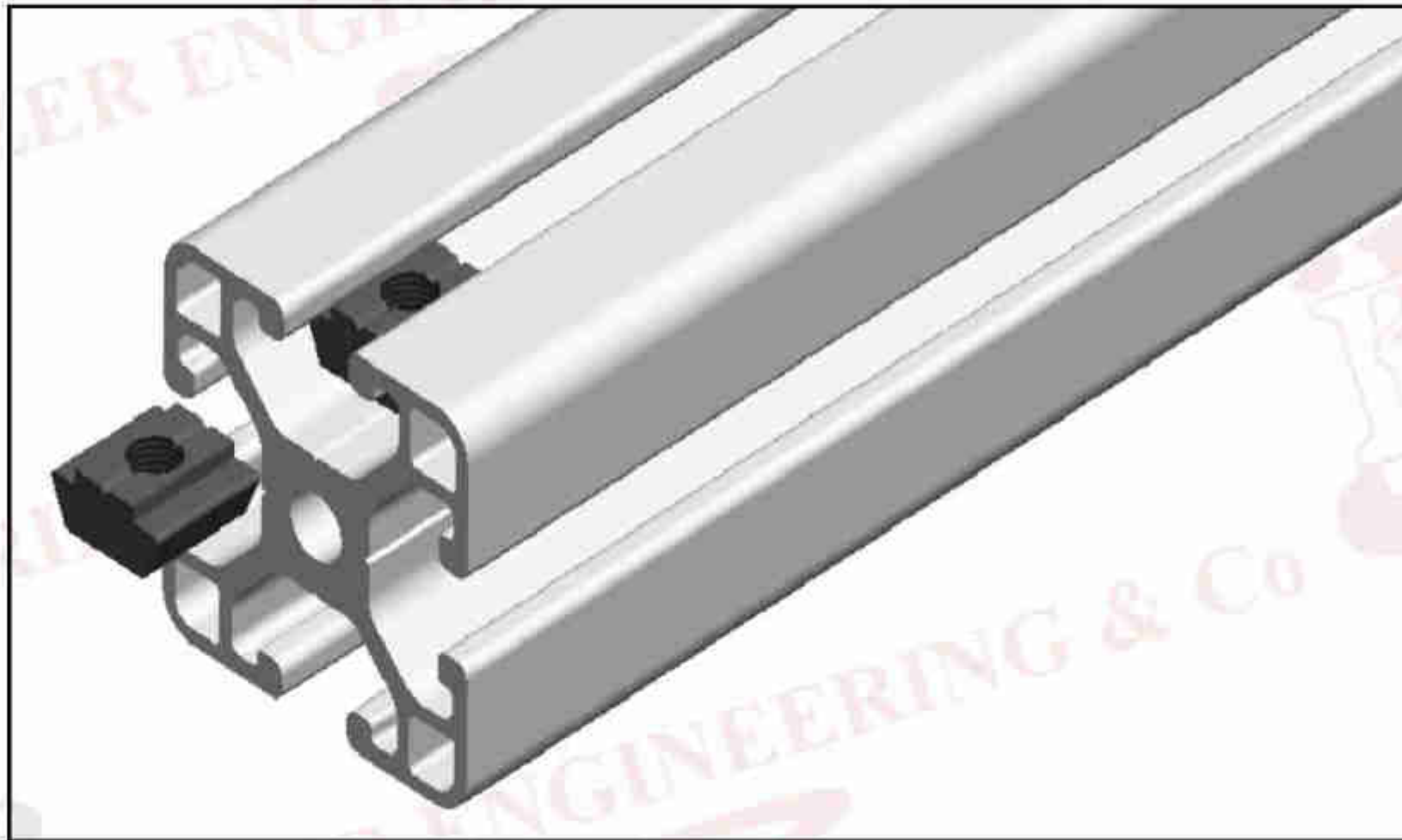
8mm  
SLOT SIZE

Thread Size	Part Number	Surface	Material
M3	J02-HN-0803-M3-WZ	Zinc Plated	Carbon Steel
M4	J02-HN-0804-M4-WZ	Zinc Plated	Carbon Steel
M5	J02-HN-0805-M5-WZ	Zinc Plated	Carbon Steel
M6	J02-HN-0806-M6-WZ	Zinc Plated	Carbon Steel
M3	J02-HN-0803-M3-NP	Nickel Plated	Carbon Steel
M4	J02-HN-0804-M4-NP	Nickel Plated	Carbon Steel
M5	J02-HN-0805-M5-NP	Nickel Plated	Carbon Steel
M6	J02-HN-0806-M6-NP	Nickel Plated	Carbon Steel

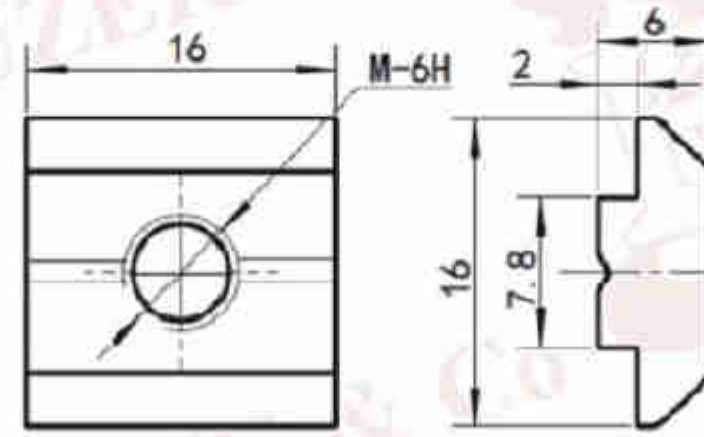


10 mm  
SLOT SIZE

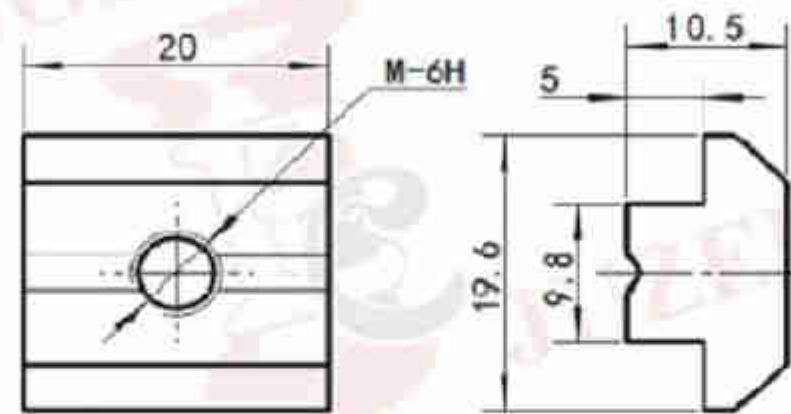
Thread Size	Part Number	Surface	Material
M3	J03-HN-1003-M3-WZ	Zinc Plated	Carbon Steel
M4	J03-HN-1004-M4-WZ	Zinc Plated	Carbon Steel
M5	J03-HN-1005-M5-WZ	Zinc Plated	Carbon Steel
M6	J03-HN-1006-M6-WZ	Zinc Plated	Carbon Steel
M8	J03-HN-1008-M8-WZ	Zinc Plated	Carbon Steel
M3	J03-HN-1003-M3-NP	Nickel Plated	Carbon Steel
M4	J03-HN-1004-M4-NP	Nickel Plated	Carbon Steel
M5	J03-HN-1005-M5-NP	Nickel Plated	Carbon Steel
M6	J03-HN-1006-M6-NP	Nickel Plated	Carbon Steel
M8	J03-HN-1008-M8-NP	Nickel Plated	Carbon Steel



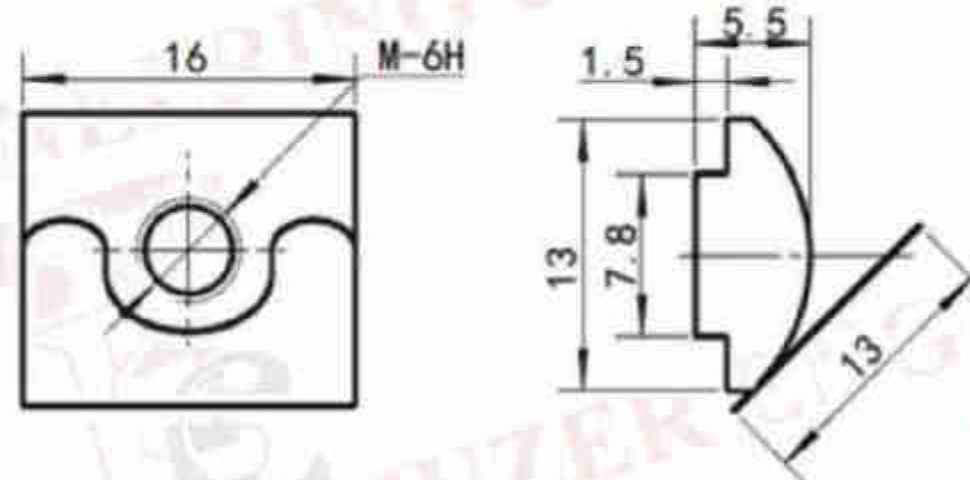
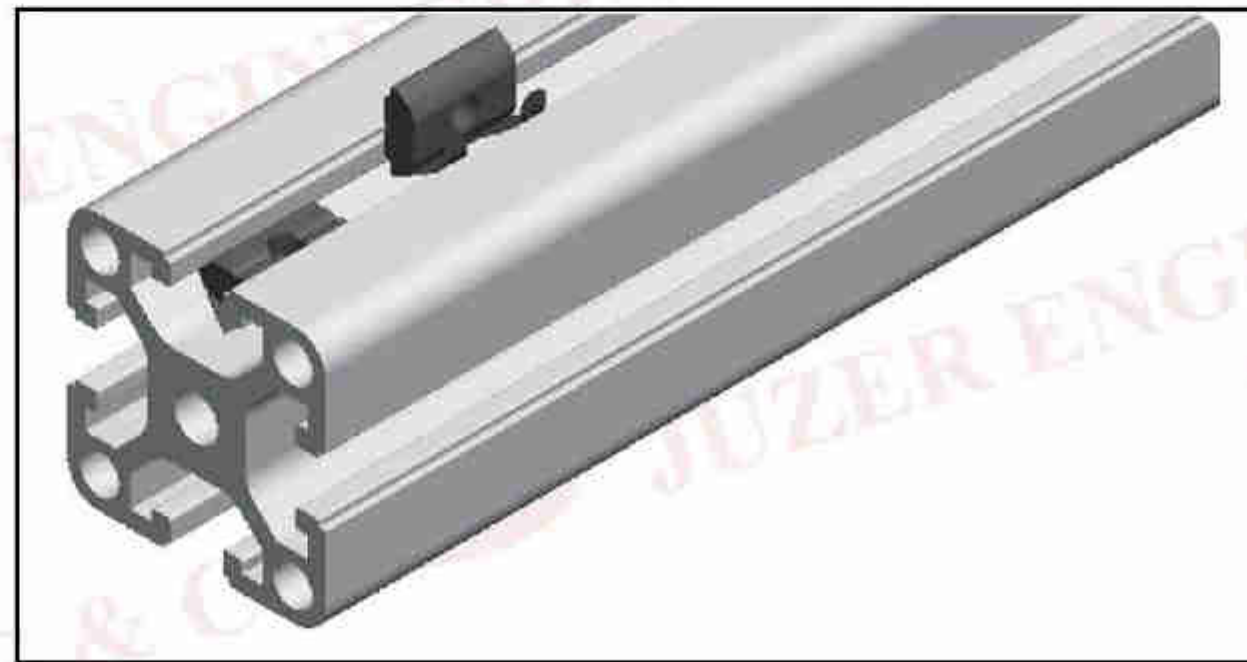
Thread Size	Part Number	Surface	Material
M3	J04-TN-0603-M3-WZ	Zinc Plated	Carbon Steel
M4	J04-TN-0604-M4-WZ	Zinc Plated	Carbon Steel
M5	J04-TN-0605-M5-WZ	Zinc Plated	Carbon Steel
M6	J04-TN-0606-M6-WZ	Zinc Plated	Carbon Steel



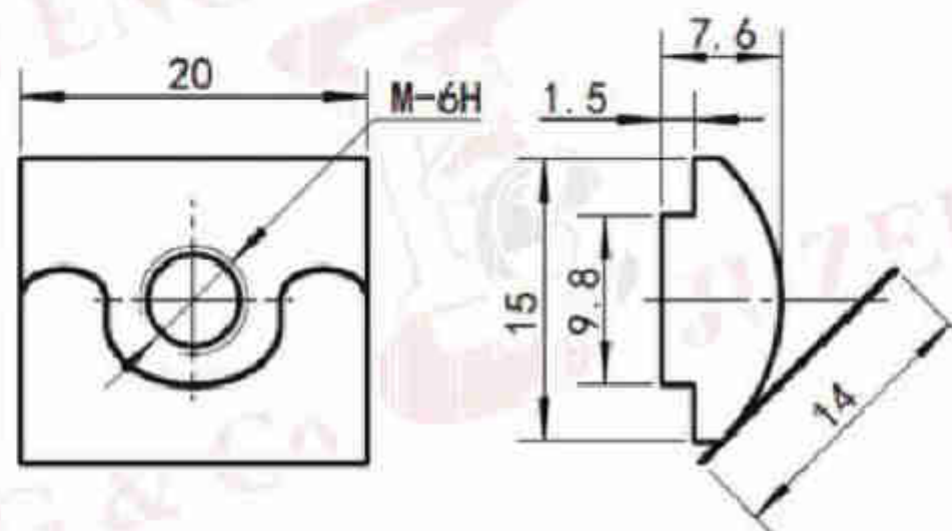
Thread Size	Part Number	Surface	Material
M3	J05-TN-0803-M3-WZ	Zinc Plated	Carbon Steel
M4	J05-TN-0804-M4-WZ	Zinc Plated	Carbon Steel
M5	J05-TN-0805-M5-WZ	Zinc Plated	Carbon Steel
M6	J05-TN-0806-M6-WZ	Zinc Plated	Carbon Steel
M8	J05-TN-0808-M8-WZ	Zinc Plated	Carbon Steel



Thread Size	Part Number	Surface	Material
M3	J06-TN-1003-M3-WZ	Zinc Plated	Carbon Steel
M4	J06-TN-1004-M4-WZ	Zinc Plated	Carbon Steel
M5	J06-TN-1005-M5-WZ	Zinc Plated	Carbon Steel
M6	J06-TN-1006-M6-WZ	Zinc Plated	Carbon Steel
M8	J06-TN-1008-M8-WZ	Zinc Plated	Carbon Steel

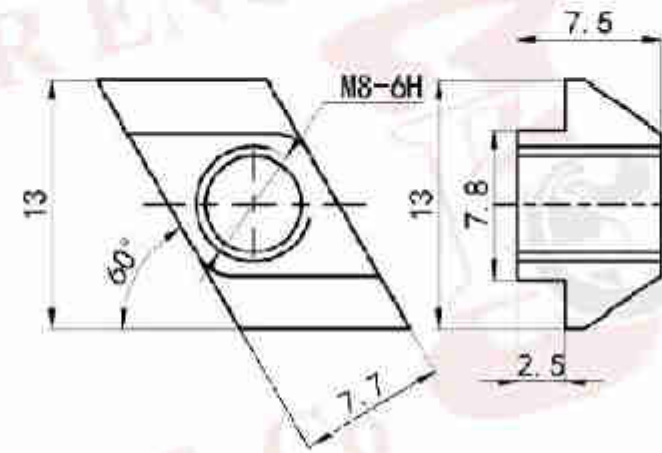


Thread Size	Part Number	Surface	Material
M4	J07-LN-0804-M4-WZ	Zinc Plated	Carbon Steel
M5	J07-LN-0805-M5-WZ	Zinc Plated	Carbon Steel
M6	J07-LN-0806-M6-WZ	Zinc Plated	Carbon Steel
M8	J07-LN-0808-M8-WZ	Zinc Plated	Carbon Steel



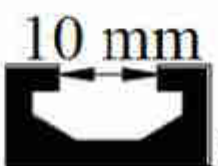
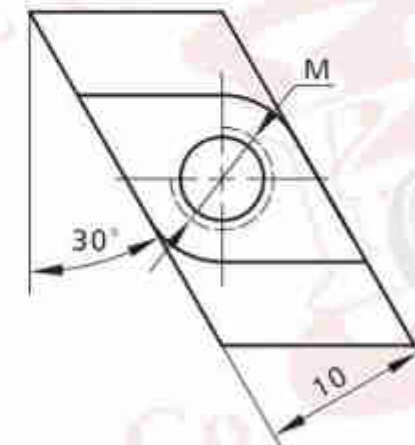
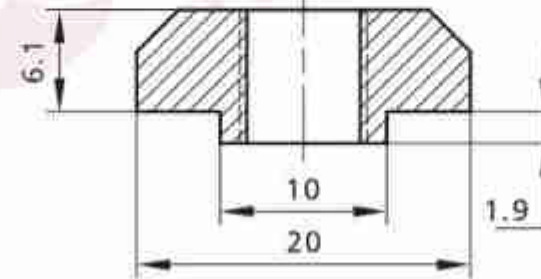
Thread Size	Part Number	Surface	Material
M4	J08-LN-1004-M4-WZ	Zinc Plated	Carbon Steel
M5	J08-LN-1005-M5-WZ	Zinc Plated	Carbon Steel
M6	J08-LN-1006-M6-WZ	Zinc Plated	Carbon Steel
M8	J08-LN-1008-M8-WZ	Zinc Plated	Carbon Steel





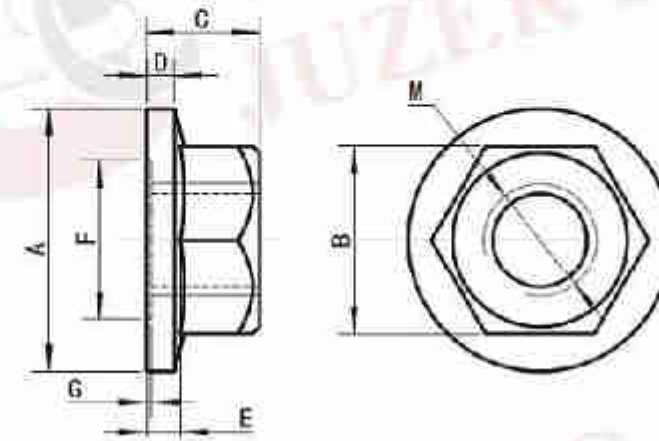
8mm  
SLOT SIZE

Thread Size	Part Number	Surface	Material
M4	J09-RN-0804-M4-WZ	Zinc Plated	Carbon Steel
M5	J09-RN-0805-M5-WZ	Zinc Plated	Carbon Steel
M6	J09-RN-0806-M6-WZ	Zinc Plated	Carbon Steel

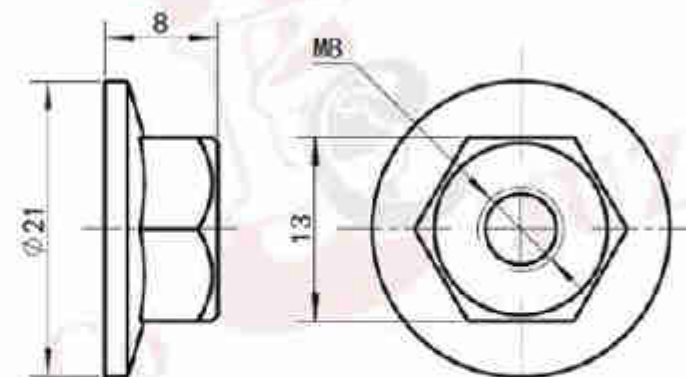


10 mm  
SLOT SIZE

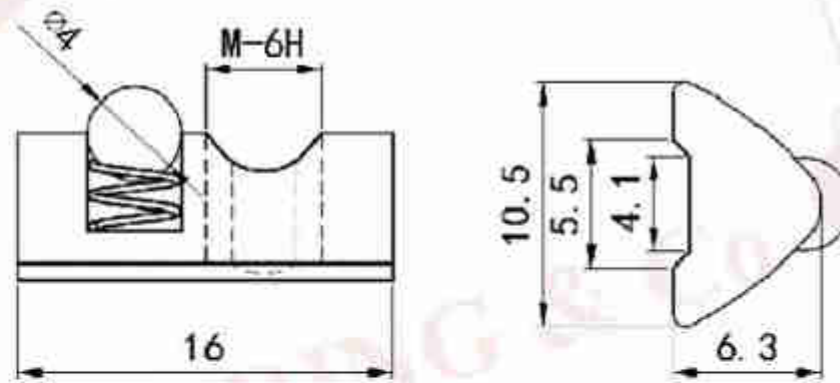
Thread Size	Part Number	Surface	Material
M4	J10-RN-1004-M4-WZ	Zinc Plated	Carbon Steel
M5	J10-RN-1005-M5-WZ	Zinc Plated	Carbon Steel
M6	J10-RN-1006-M6-WZ	Zinc Plated	Carbon Steel
M8	J10-RN-1008-M8-WZ	Zinc Plated	Carbon Steel



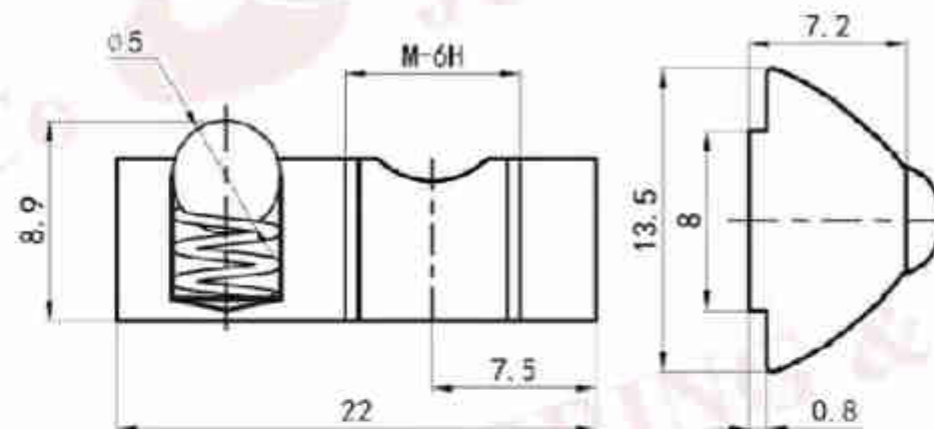
Thread Size	Part Number	A	B	C	D	E	F	G	Surface	Material
M6	J11-FN-06S-M6-WZ	Φ13.5	10	6	1.2	2	Φ9	0.5	Zn Plated	Carbon Steel
M8	J11-FN-08S-M8-WZ	Φ17.5	12.5	8	2	3	Φ12	0.5	Zn Plated	Carbon Steel



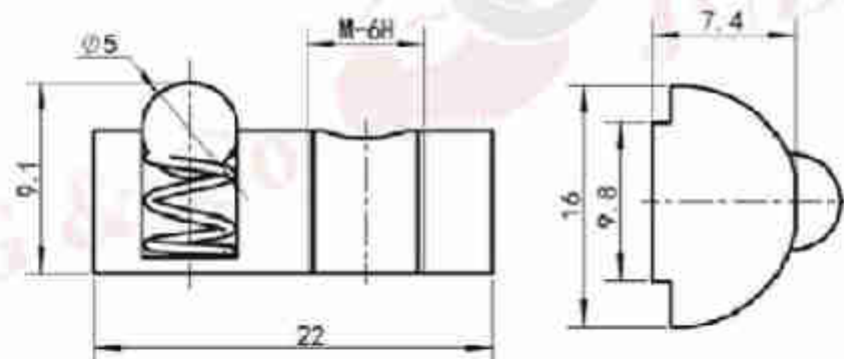
Thread Size	Part Number	Surface	Material
M8	J12-FN-08P-M8-WZ	Zinc Plated	Carbon Steel



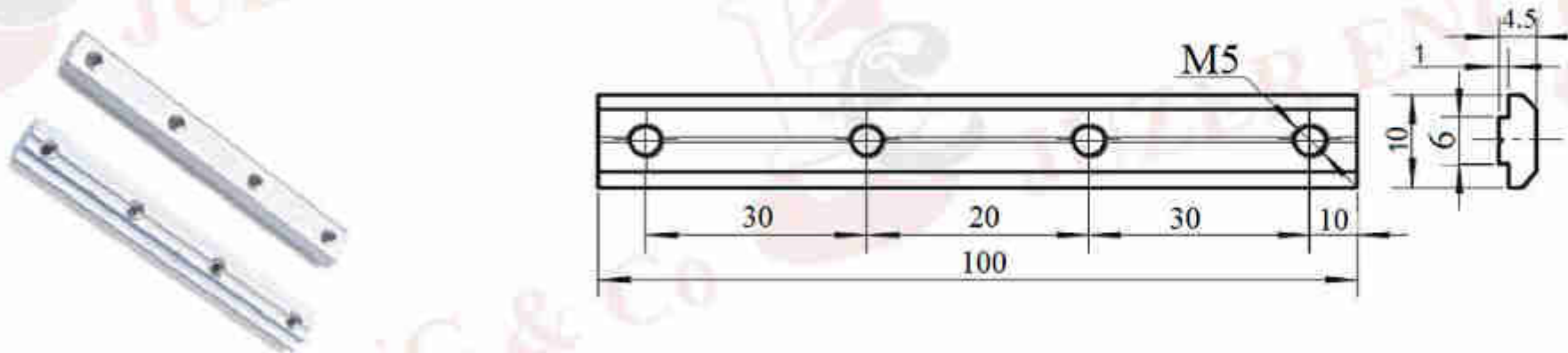
Thread Size	Part Number	Surface	Material
M3	J13-BN-0603-M3-WZ	Zinc Plated	Carbon Steel
M4	J13-BN-0604-M4-WZ	Zinc Plated	Carbon Steel
M5	J13-BN-0605-M5-WZ	Zinc Plated	Carbon Steel



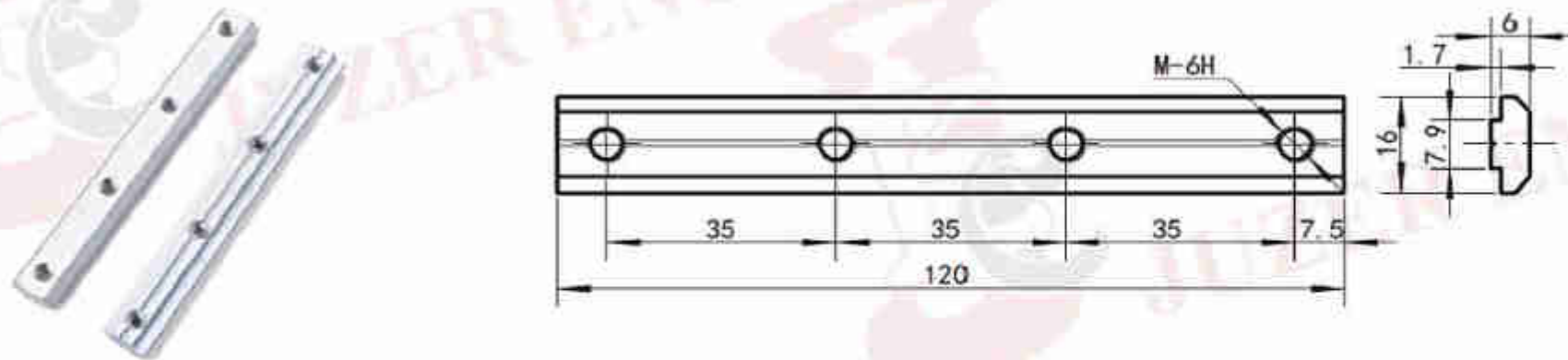
Thread Size	Part Number	Surface	Material
M4	J14-BN-0804-M4-WZ	Zinc Plated	Carbon Steel
M5	J14-BN-0805-M5-WZ	Zinc Plated	Carbon Steel
M6	J14-BN-0806-M6-WZ	Zinc Plated	Carbon Steel



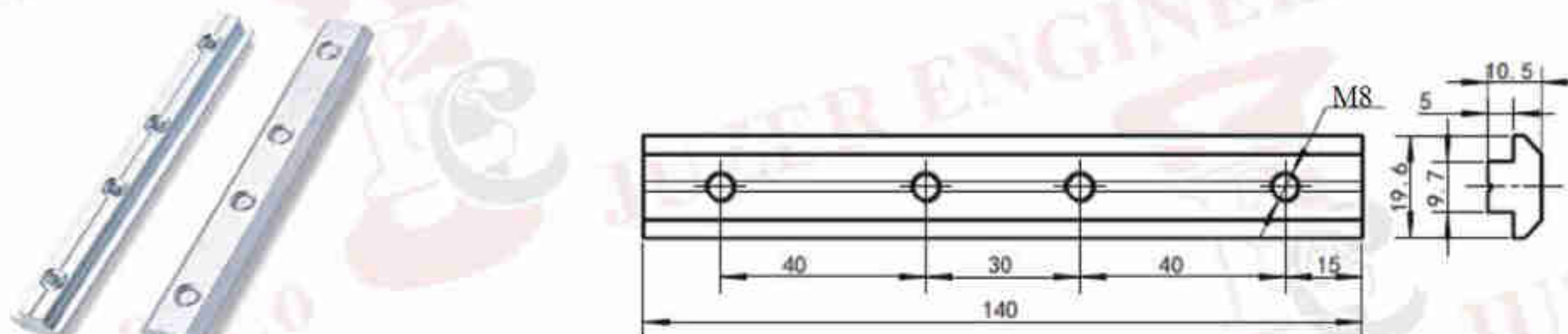
Thread Size	Part Number	Surface	Material
M4	J15-BN-1004-M4-WZ	Zinc Plated	Carbon Steel
M5	J15-BN-1005-M5-WZ	Zinc Plated	Carbon Steel
M6	J15-BN-1006-M6-WZ	Zinc Plated	Carbon Steel
M8	J15-BN-1008-M8-WZ	Zinc Plated	Carbon Steel



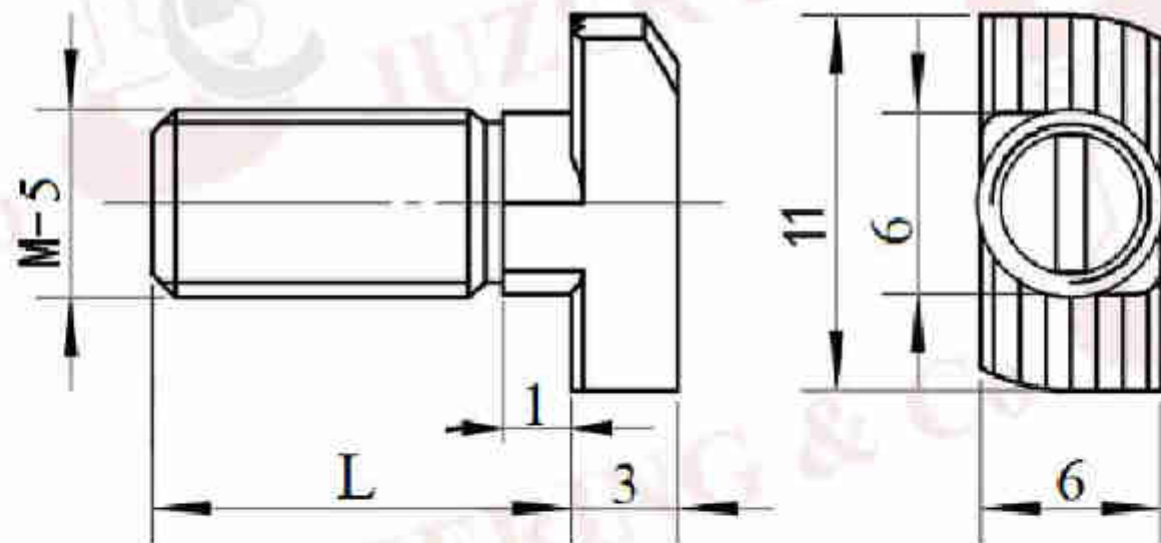
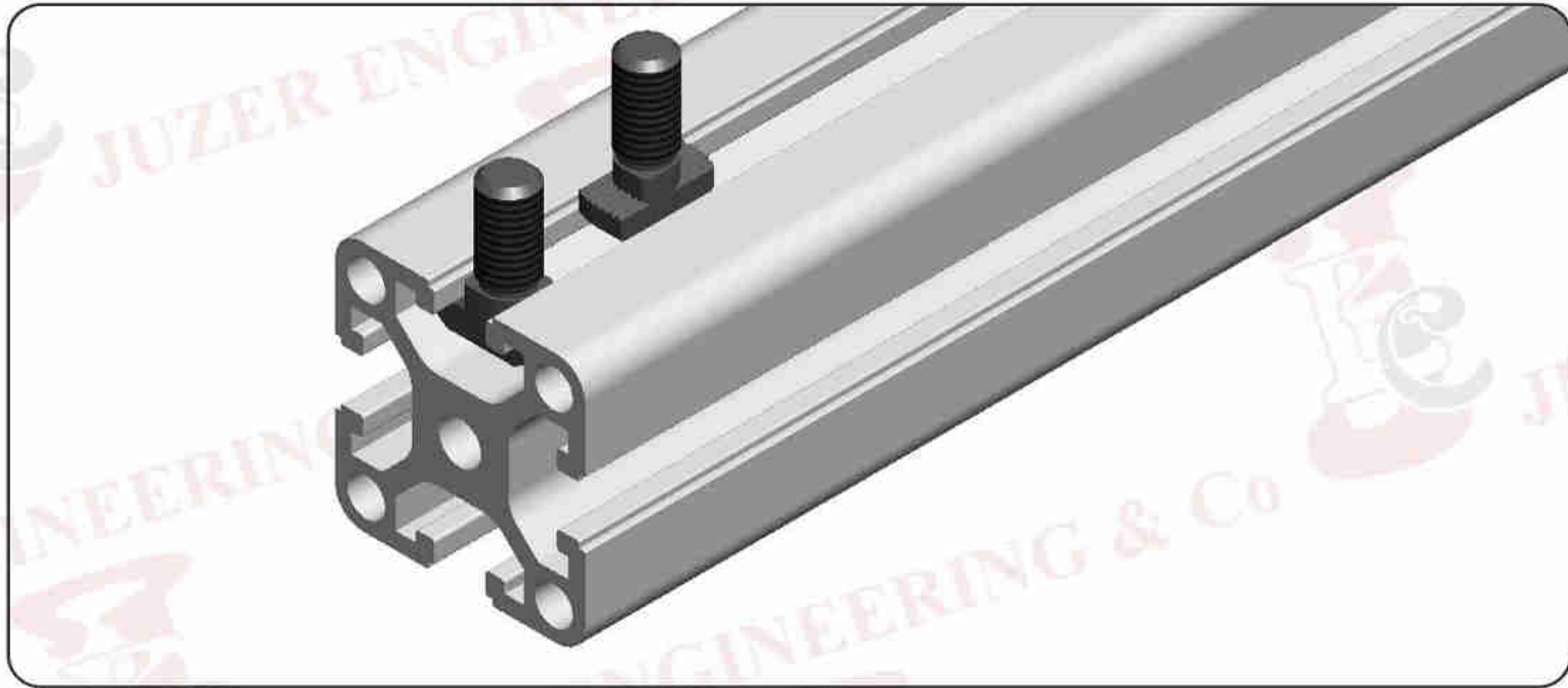
Thread Size	Part Number	Surface	Material
M5	J16-TC-0610005-M5-WZ	Zinc Plated	Carbon Steel



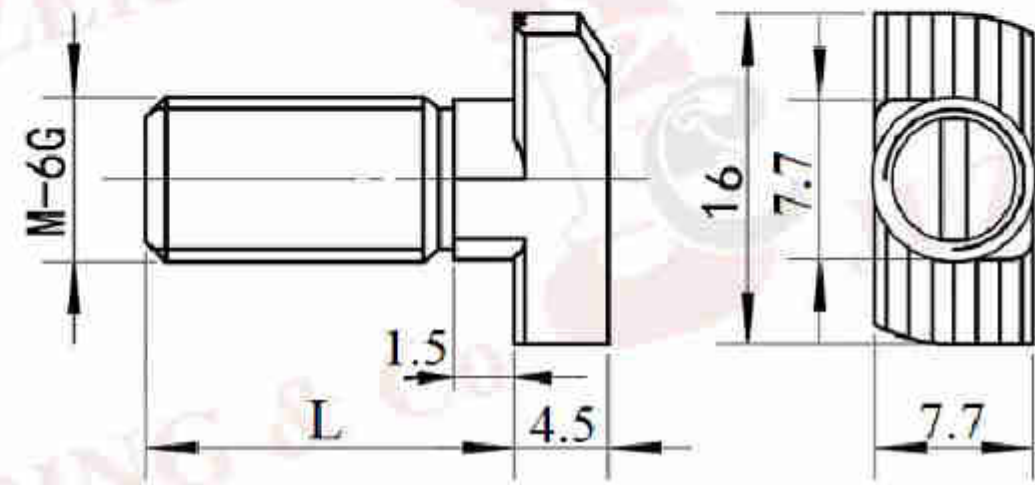
Thread Size	Part Number	Surface	Material
M6	J17-TC-0812006-M6-WZ	Zinc Plated	Carbon Steel



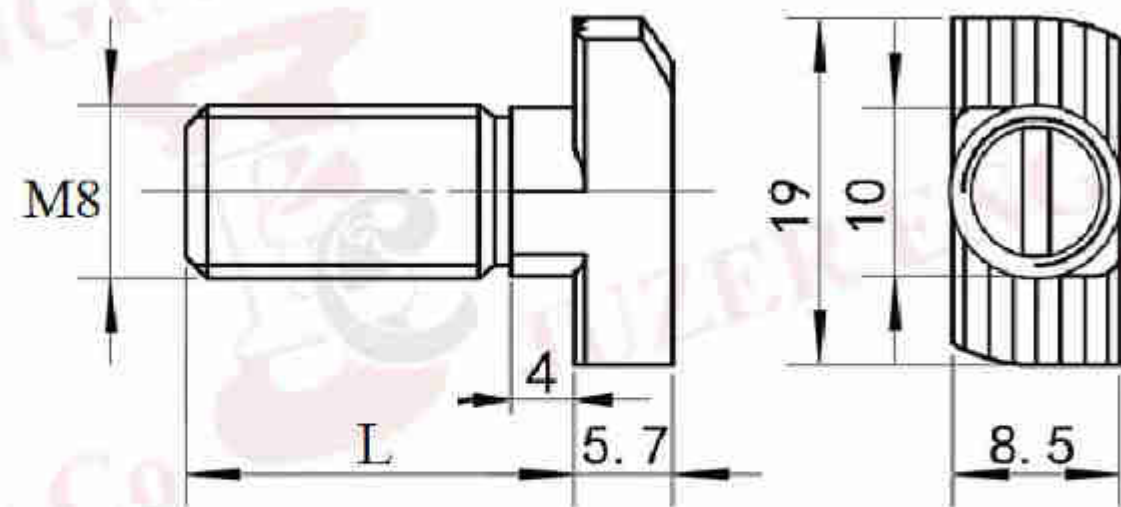
Thread Size	Part Number	Surface	Material
M8	J18-TC-1014008-M8-WZ	Zinc Plated	Carbon Steel



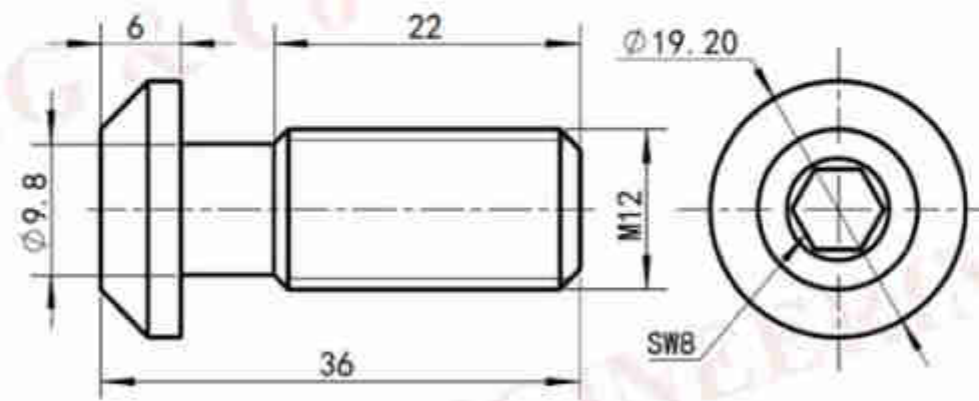
Thread Size	Length (L)	Part Number	Surface	Material
M5	10	J19-HB-06510-M5-WZ	Zinc Plated	Carbon Steel
M5	12	J19-HB-06512-M5-WZ	Zinc Plated	Carbon Steel
M5	16	J19-HB-06516-M5-WZ	Zinc Plated	Carbon Steel
M5	20	J19-HB-06520-M5-WZ	Zinc Plated	Carbon Steel



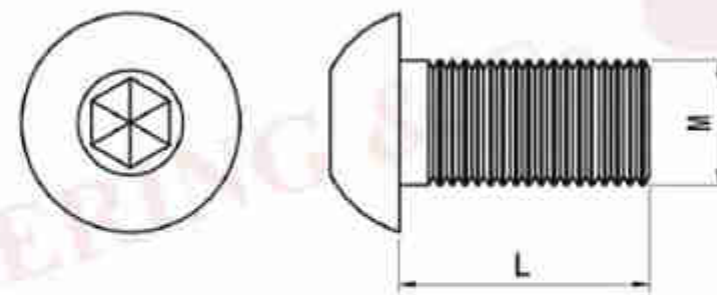
Thread Size	Length (L)	Part Number	Surface	Material
M6	16	J20-HB-08615-M6-WZ	Zinc Plated	Carbon Steel
M6	20	J20-HB-08620-M6-WZ	Zinc Plated	Carbon Steel
M6	25	J20-HB-08625-M6-WZ	Zinc Plated	Carbon Steel
M8	20	J20-HB-08820-M8-WZ	Zinc Plated	Carbon Steel
M8	25	J20-HB-08825-M8-WZ	Zinc Plated	Carbon Steel
M8	30	J20-HB-08830-M8-WZ	Zinc Plated	Carbon Steel



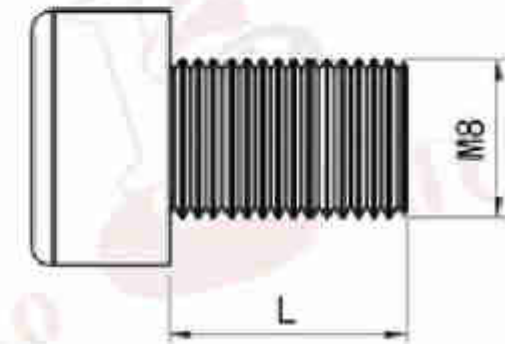
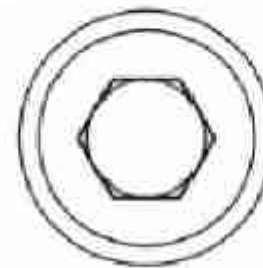
Thread Size	Length (L)	Part Number	Surface	Material
M8	15	J21-HB-10815-M8-WZ	Zinc Plated	Carbon Steel
M8	20	J21-HB-10820-M8-WZ	Zinc Plated	Carbon Steel
M8	25	J21-HB-10825-M8-WZ	Zinc Plated	Carbon Steel
M8	30	J21-HB-10830-M8-WZ	Zinc Plated	Carbon Steel
M8	40	J21-HB-10840-M8-WZ	Zinc Plated	Carbon Steel
M8	60	J21-HB-10860-M8-WZ	Zinc Plated	Carbon Steel
M8	20	J21-HB-10820-M8-NP	Nickel Plated	Carbon Steel
M8	25	J21-HB-10825-M8-NP	Nickel Plated	Carbon Steel



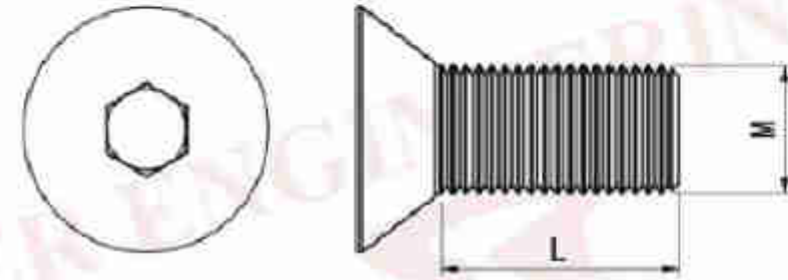
Bolt Size	Part Number	Surface	Material
M12x30	J22-BC-1230-M12-WZ	Zinc Plated	Carbon Steel



Thread Size	Length-L (mm)	Part Number	Surface	Material
M4	8	J23-BHS-408-WZ/NP	Zinc Plated/Nickel Plated	Carbon Steel
	10	J23-BHS-410-WZ/NP		
	12	J23-BHS-412-WZ/NP		
	16	J23-BHS-416-WZ/NP		
	20	J23-BHS-420-WZ/NP		
	25	J23-BHS-425-WZ/NP		
M5	8	J23-BHS-508-WZ/NP	Zinc Plated/Nickel Plated	Carbon Steel
	10	J23-BHS-510-WZ/NP		
	12	J23-BHS-512-WZ/NP		
	16	J23-BHS-516-WZ/NP		
	20	J23-BHS-520-WZ/NP		
	25	J23-BHS-525-WZ/NP		
M6	12	J23-BHS-612-WZ/NP	Zinc Plated/Nickel Plated	Carbon Steel
	16	J23-BHS-616-WZ/NP		
	20	J23-BHS-620-WZ/NP		
	25	J23-BHS-625-WZ/NP		
	30	J23-BHS-630-WZ/NP		
M8	12	J23-BHS-812-WZ/NP	Zinc Plated/Nickel Plated	Carbon Steel
	16	J23-BHS-816-WZ/NP		
	20	J23-BHS-820-WZ/NP		
	25	J23-BHS-825-WZ/NP		
	30	J23-BHS-830-WZ/NP		
	40	J23-BHS-840-WZ/NP		

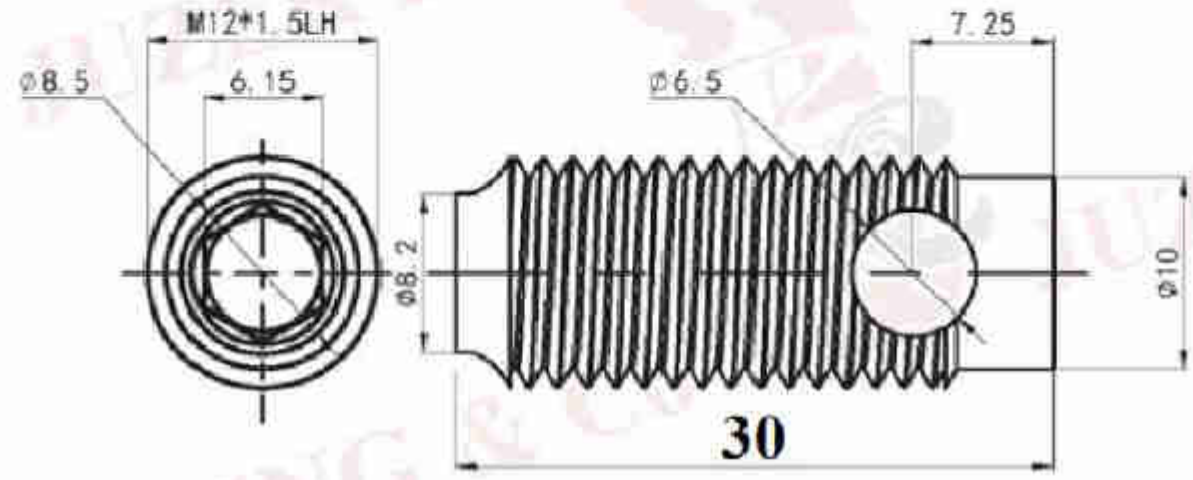


Thread Size	Length-L (mm)	Part Number	Surface	Material
M4	8	J24-SHS-408-WZ/NP	Zinc Plated/Nickel Plated	Carbon Steel
	10	J24-SHS-410-WZ/NP		
	12	J24-SHS-412-WZ/NP		
	16	J24-SHS-416-WZ/NP		
	20	J24-SHS-420-WZ/NP		
	25	J24-SHS-425-WZ/NP		
M5	8	J24-SHS-508-WZ/NP	Zinc Plated/Nickel Plated	Carbon Steel
	10	J24-SHS-510-WZ/NP		
	12	J24-SHS-512-WZ/NP		
	16	J24-SHS-516-WZ/NP		
	20	J24-SHS-520-WZ/NP		
	25	J24-SHS-525-WZ/NP		
M6	12	J24-SHS-612-WZ/NP	Zinc Plated/Nickel Plated	Carbon Steel
	16	J24-SHS-616-WZ/NP		
	20	J24-SHS-620-WZ/NP		
	25	J24-SHS-625-WZ/NP		
	30	J24-SHS-630-WZ/NP		
M8	12	J24-SHS-812-WZ/NP	Zinc Plated/Nickel Plated	Carbon Steel
	16	J24-SHS-816-WZ/NP		
	20	J24-SHS-820-WZ/NP		
	25	J24SHS-825-WZ/NP		
	30	J24-SHS-830-WZ/NP		
	40	J24-SHS-840-WZ/NP		

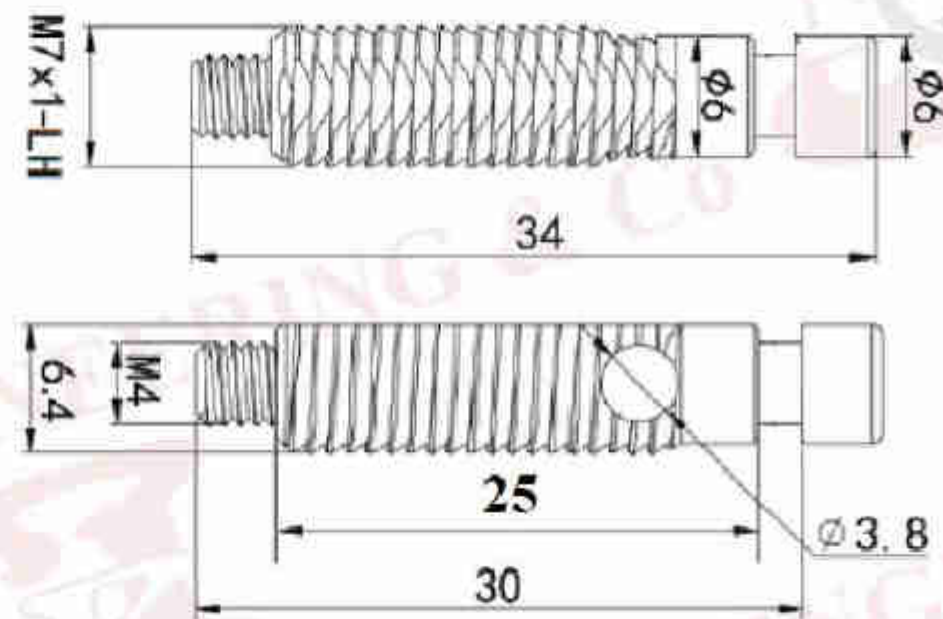


Thread Size	Length-L (mm)	Part Number	Surface	Material
M4	8	J25-CSK-408-WZ/NP	Zinc Plated/Nickel Plated	Carbon Steel
	10	J25-CSK-410-WZ/NP		
	12	J25-CSK-412-WZ/NP		
	16	J25-CSK-416-WZ/NP		
	20	J25-CSK-420-WZ/NP		
	25	J25-CSK-425-WZ/NP		
M5	8	J25-CSK-508-WZ/NP	Zinc Plated/Nickel Plated	Carbon Steel
	10	J25-CSK-510-WZ/NP		
	12	J25-CSK-512-WZ/NP		
	16	J25-CSK-516-WZ/NP		
	20	J25-CSK-520-WZ/NP		
	25	J25-CSK-525-WZ/NP		
M6	12	J25-CSK-612-WZ/NP	Zinc Plated/Nickel Plated	Carbon Steel
	16	J25-CSK-616-WZ/NP		
	20	J25-CSK-620-WZ/NP		
	25	J25-CSK-625-WZ/NP		
	30	J25-CSK-630-WZ/NP		
M8	12	J25-CSK-812-WZ/NP	Zinc Plated/Nickel Plated	Carbon Steel
	16	J25-CSK-816-WZ/NP		
	20	J25-CSK-820-WZ/NP		
	25	J25-CSK-825-WZ/NP		
	30	J25-CSK-830-WZ/NP		
	40	J25-CSK-840-WZ/NP		

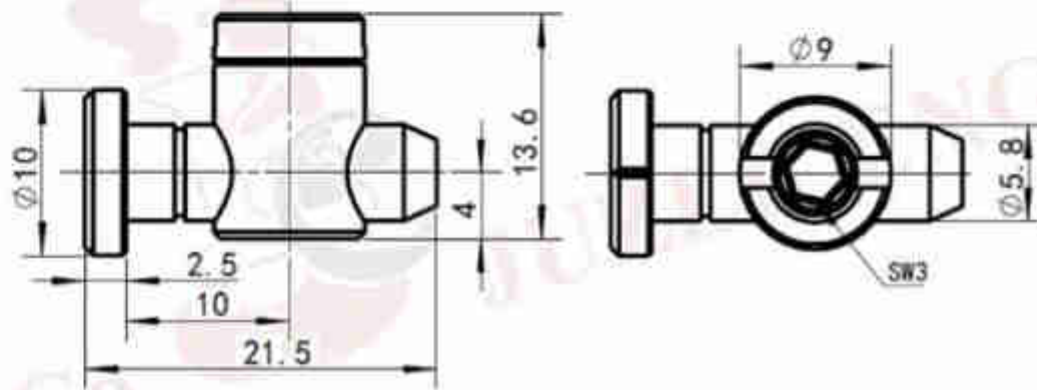
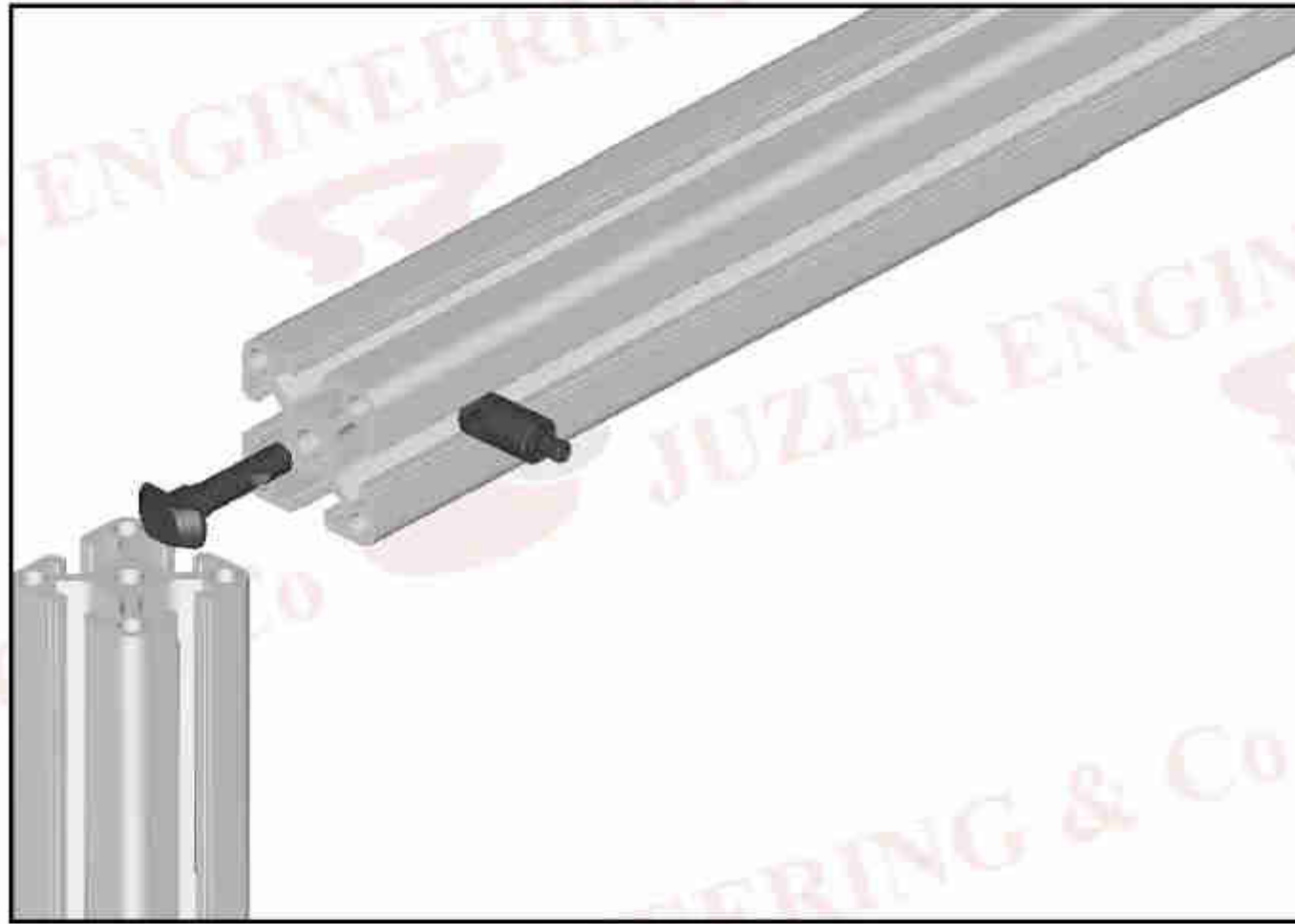




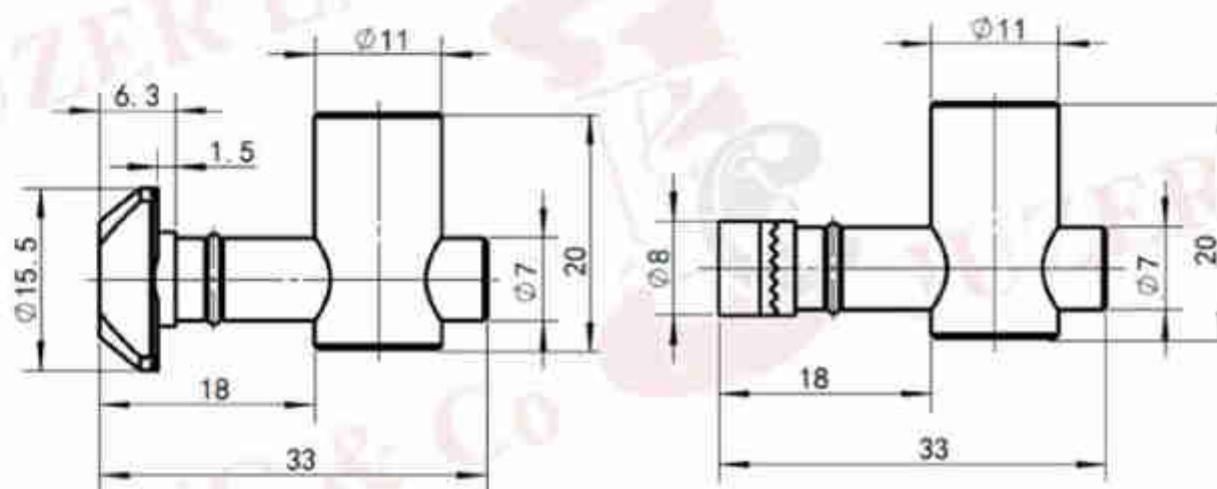
Bolt Size	Part Number	Surface	Material
M12x30	J26-HCS-1230	Zinc Plated	Carbon Steel



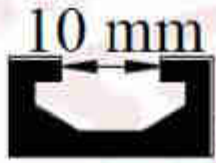
Bolt Size	Part Number	Surface	Material
M7x25	J27-HCS-0725	Zinc Plated	Carbon Steel



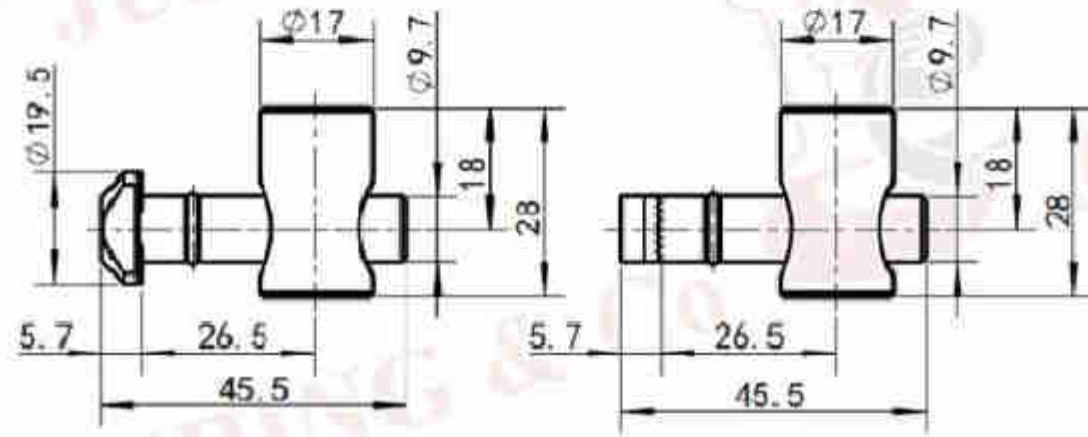
Dimensions (mm)	Part Number	Surface	Material
5.8x19	J28-CC-0601	Zinc Plated	Carbon Steel



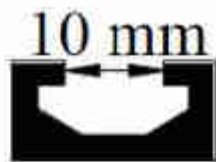
Dimensions (mm)	Part Number	Surface	Material
7.1x28 - 0°	J29-CC-0801	Zinc Plated	Carbon Steel
7.1x28 - 90°	J29-CC-0802	Zinc Plated	Carbon Steel



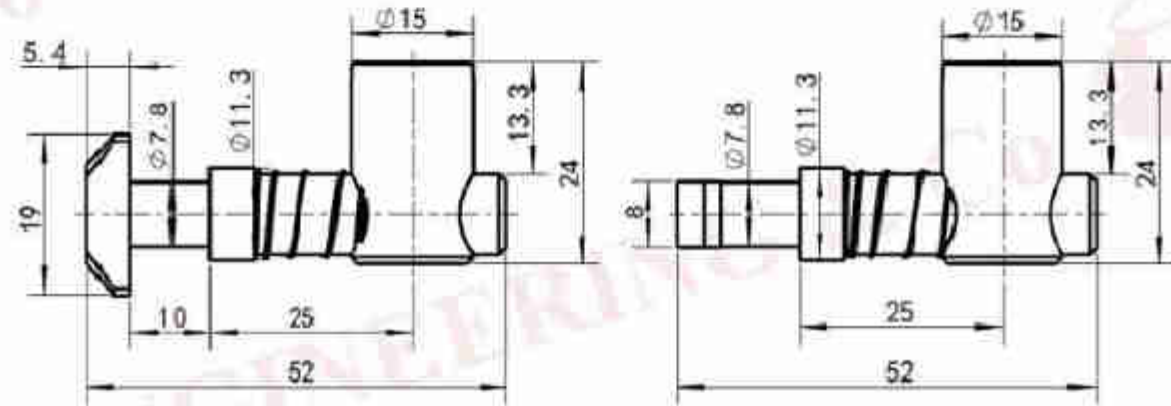
SLOT SIZE



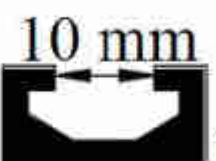
Dimensions (mm)	Part Number	Surface	Material
9.8x40 - 0°	J30-CC-1001	Zinc Plated	Carbon Steel
9.8x40 - 90°	J30-CC-1002	Zinc Plated	Carbon Steel



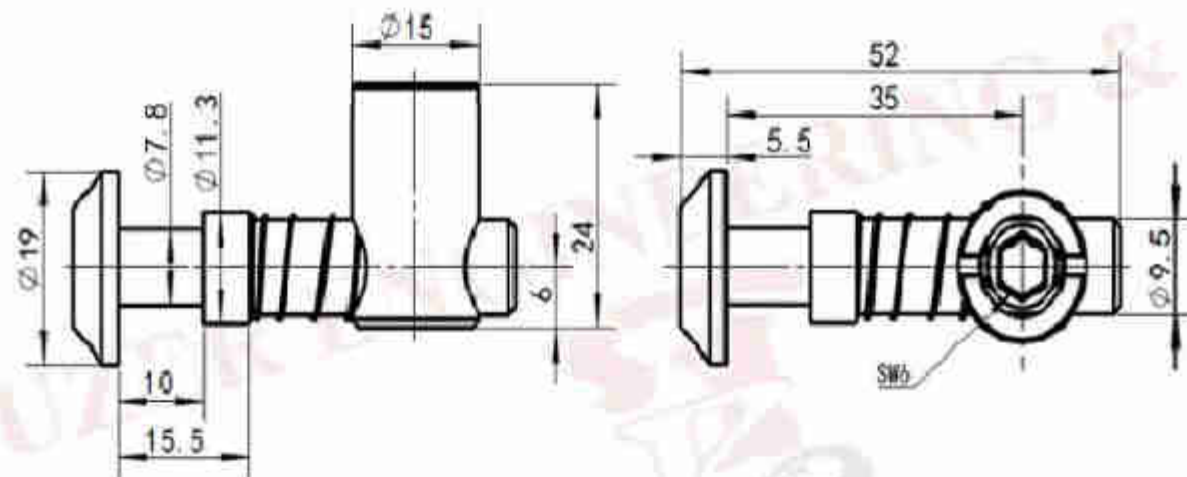
SLOT SIZE



Dimensions (mm)	Part Number	Surface	Material
11.3x52 - 0°	J31-CC-1003	Zinc Plated	Carbon Steel
11.3x52 - 90°	J31-CC-1004	Zinc Plated	Carbon Steel

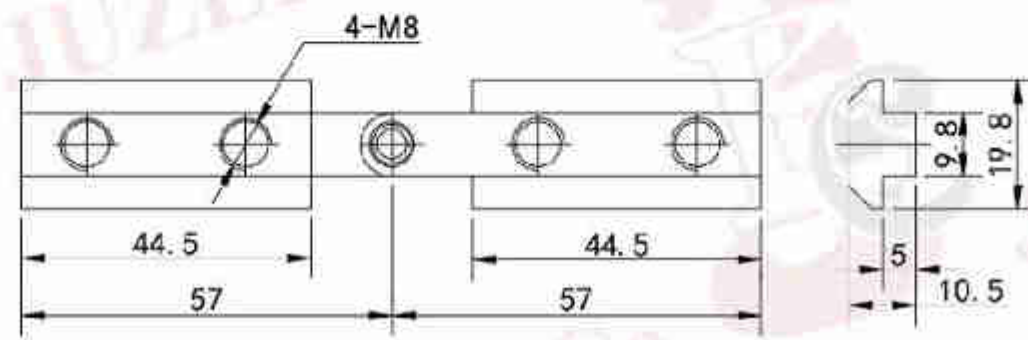


SLOT SIZE



Dimensions (mm)	Part Number	Surface	Material
11.3x52	J32-CC-1005	Zinc Plated	Carbon Steel



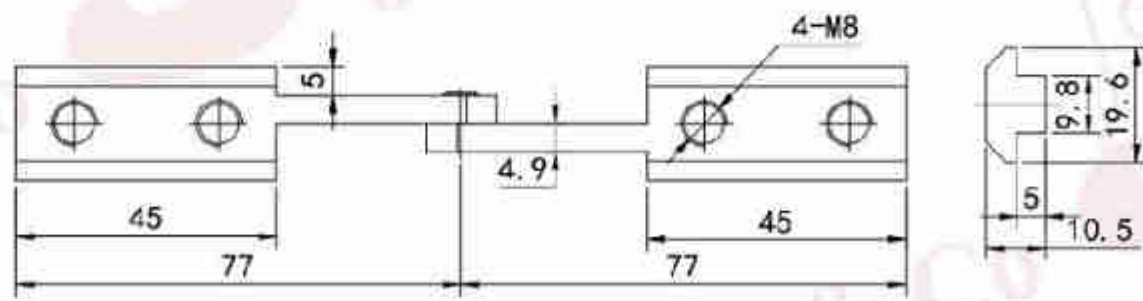


10 mm



SLOT SIZE

Dimensions (mm)	Part Number	Surface	Material
M8x114	J36-FC-1001	Zinc Plated	Carbon Steel



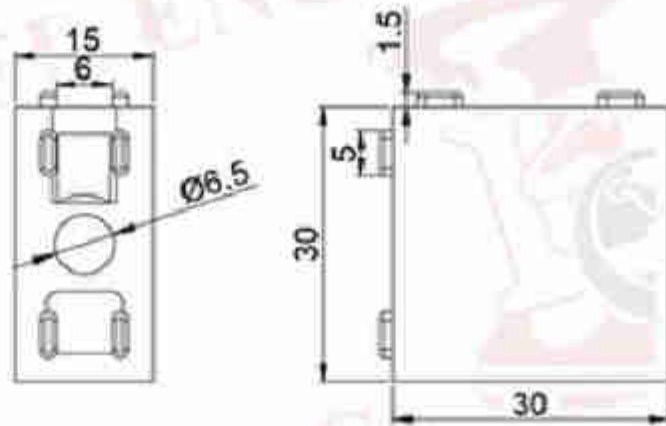
10 mm



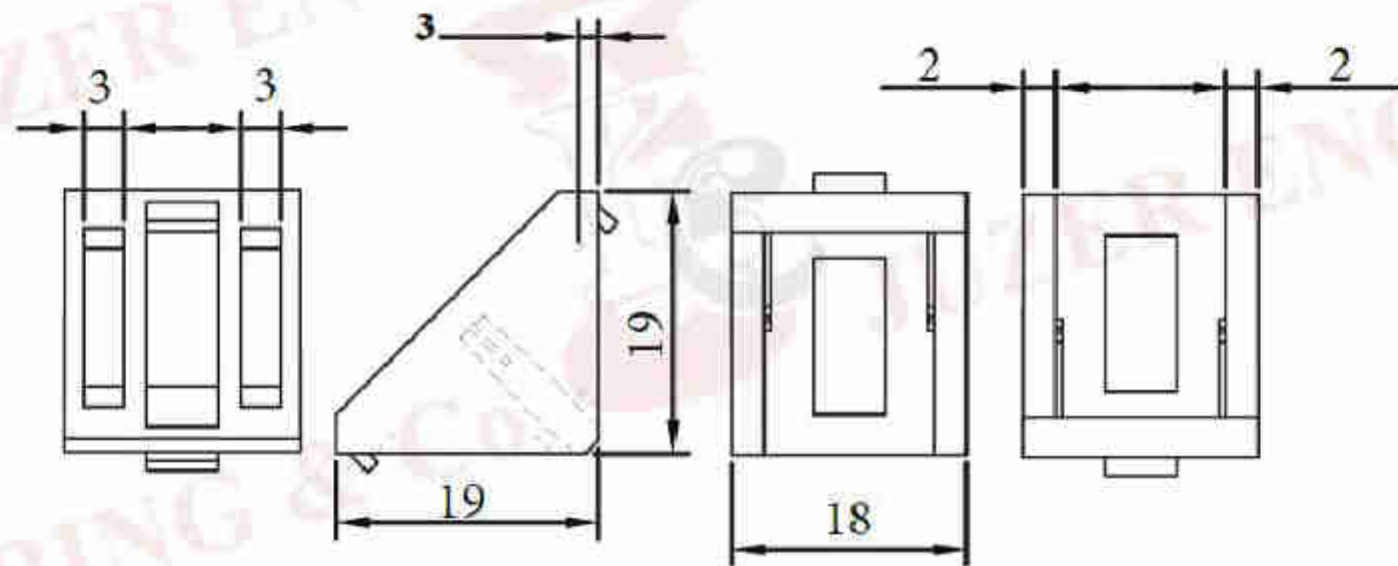
SLOT SIZE

Dimensions (mm)	Part Number	Surface	Material
M8x154	J37-FC-1002	Zinc Plated	Carbon Steel

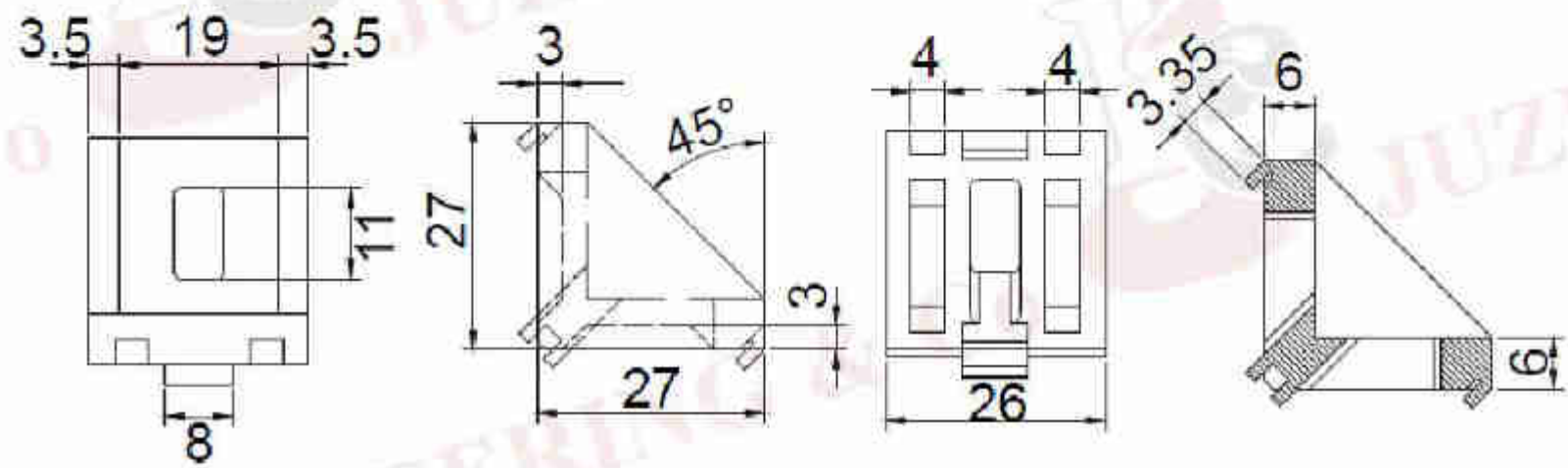




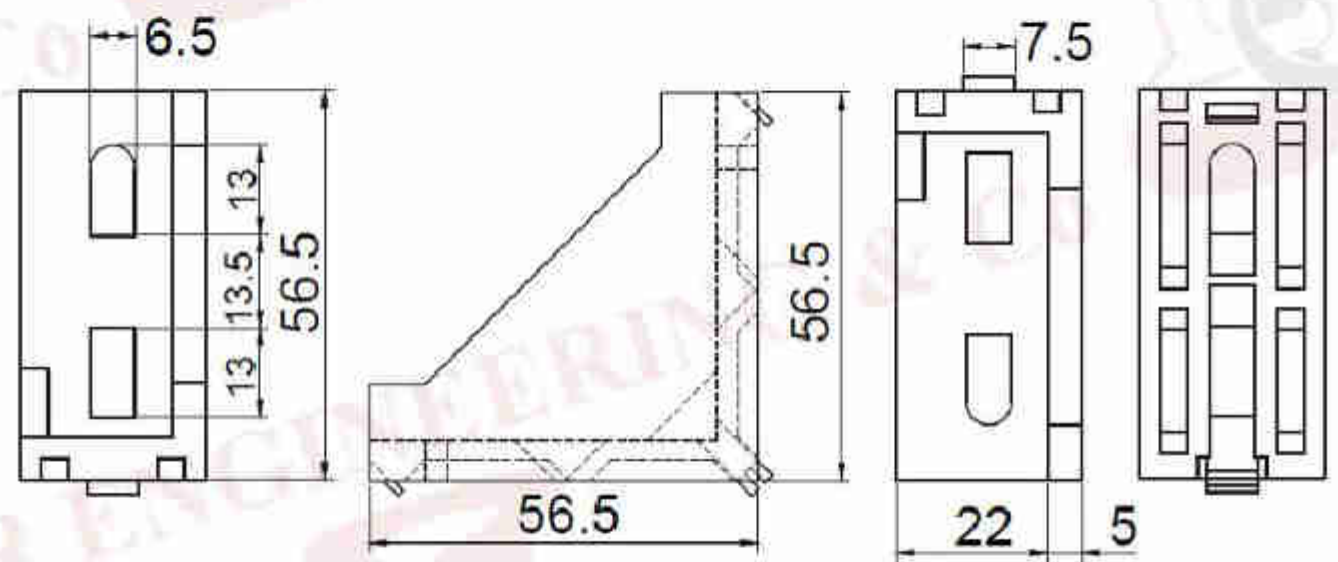
Size (mm)	Slot Width (mm)	Part Number	Surface	Material
15x30	6	J38-BK-1530	Sand Blast	Die Cast Aluminum



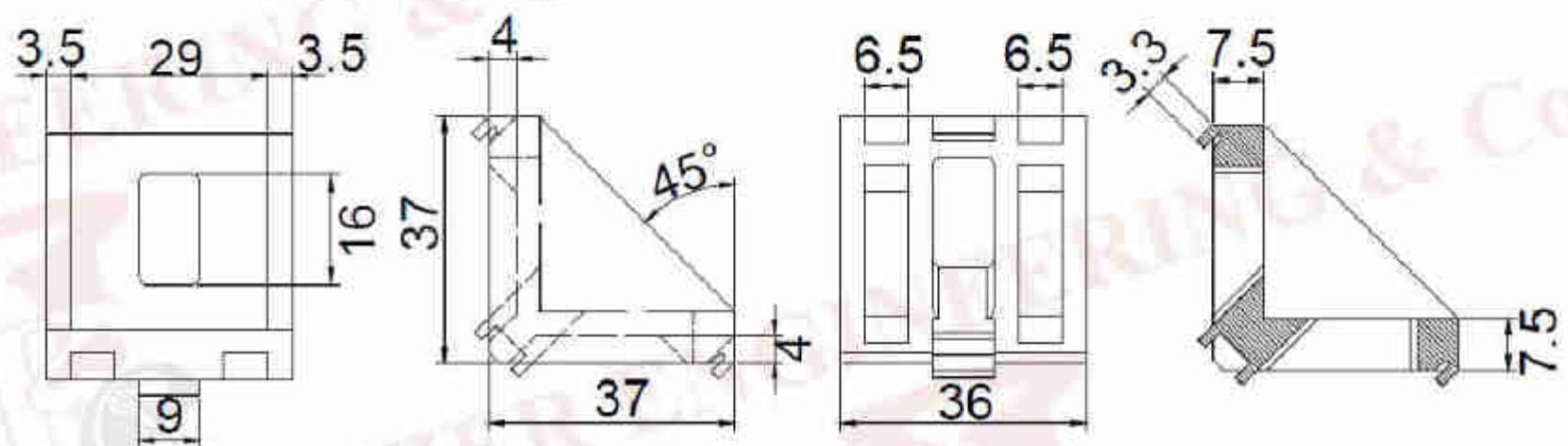
Size (mm)	Slot Width (mm)	Part Number	Surface	Material
20x20	6	J38-BK-2020	Sand Blast	Die Cast Aluminum
20x40	6	J38-BK-2040	Sand Blast	Die Cast Aluminum



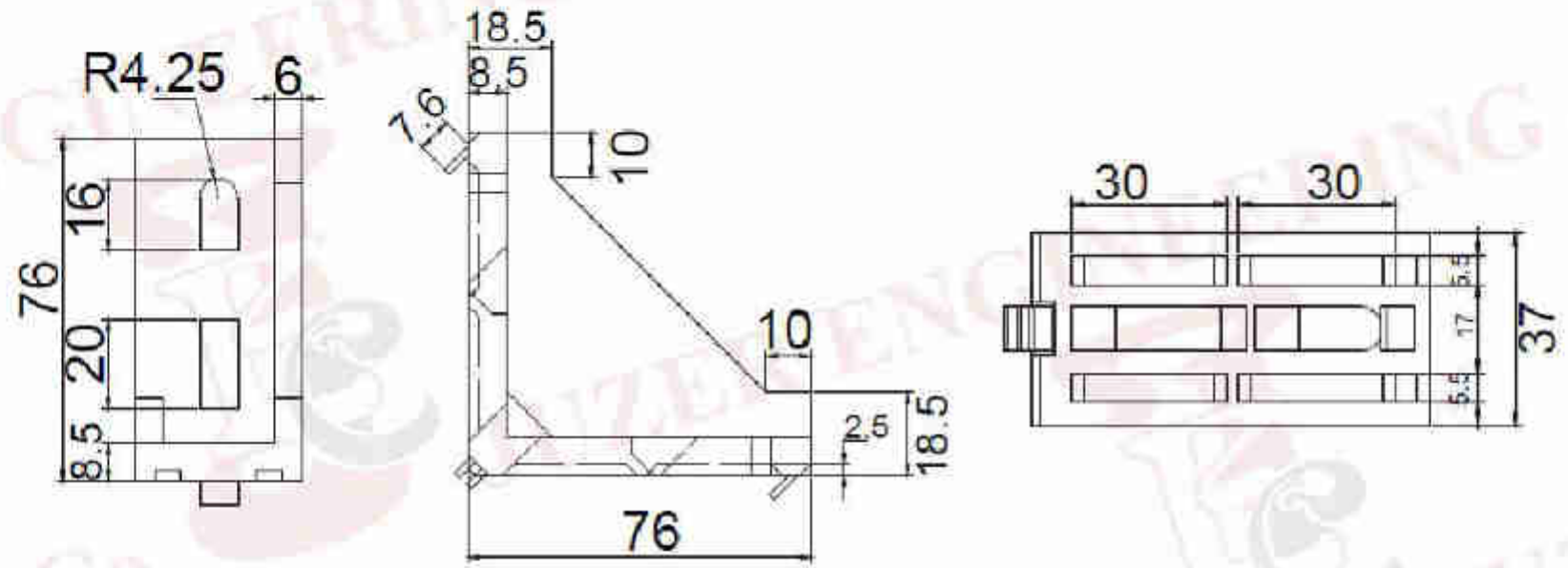
Size (mm)	Slot Width (mm)	Part Number	Surface	Material
30x30	8	J38-BK-3030	Sand Blast	Die Cast Aluminum



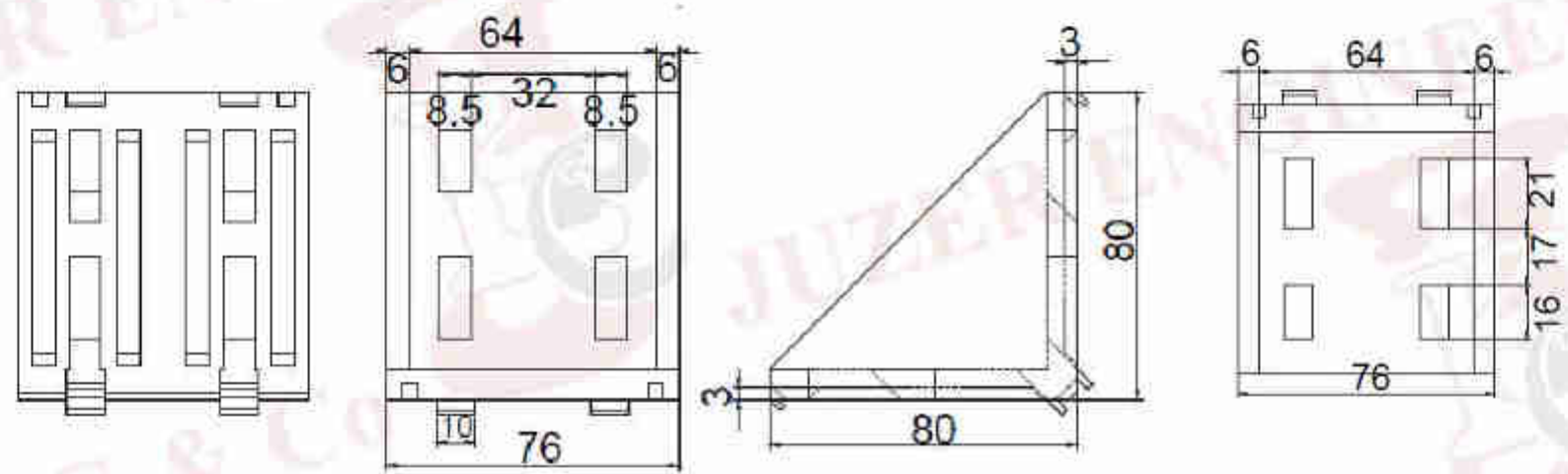
Size (mm)	Slot Width (mm)	Part Number	Surface	Material
30x60	8	J38-BK-3060	Sand Blast	Die Cast Aluminum



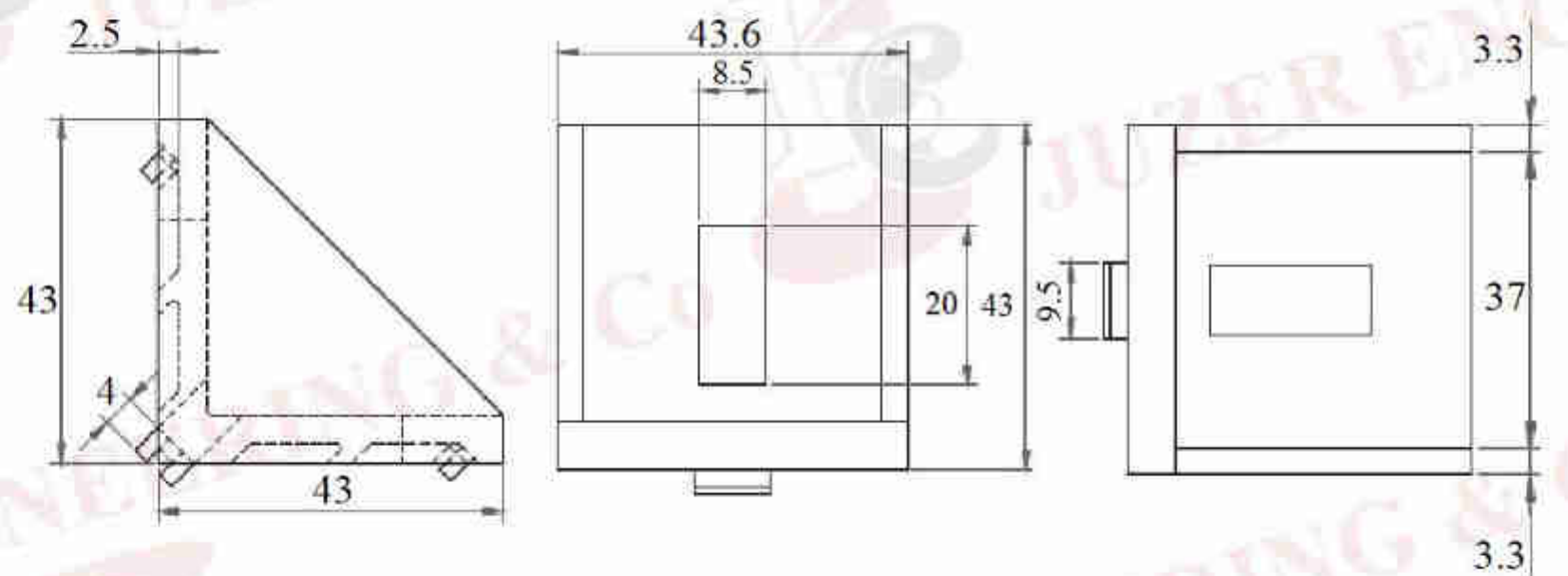
Size (mm)	Slot Width (mm)	Part Number	Surface	Material
40x40	10	J38-BK-4040	Sand Blast	Die Cast Aluminum



Size (mm)	Slot Width (mm)	Part Number	Surface	Material
40x80	10	J38-BK-4080	Sand Blast	Die Cast Aluminum

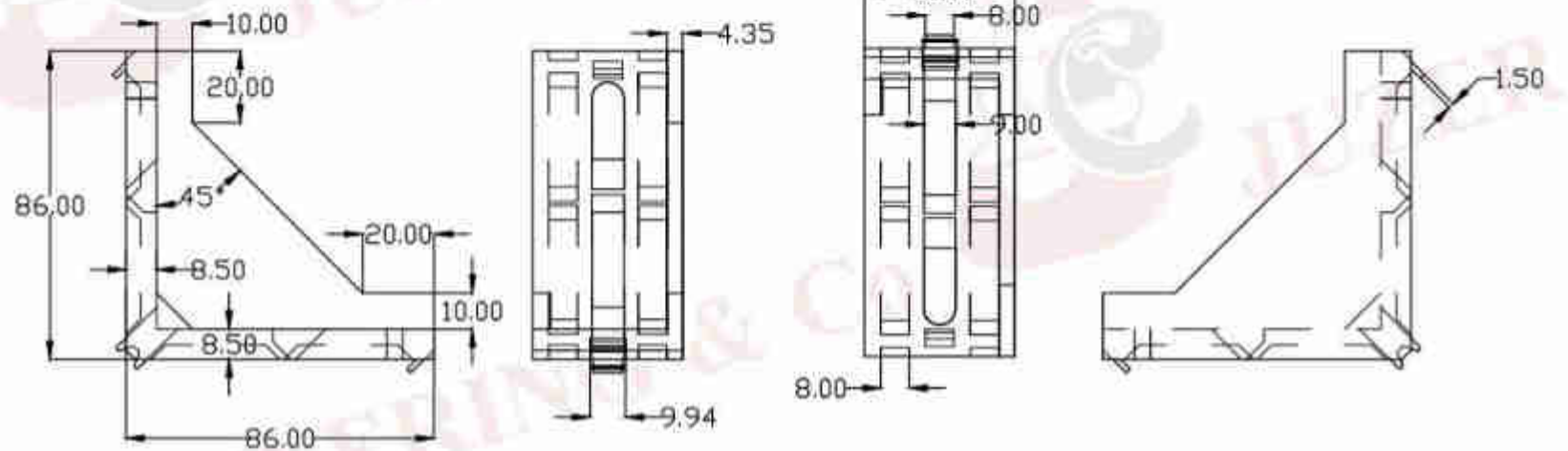


Size (mm)	Slot Width (mm)	Part Number	Surface	Material
80x80	10	J38-BK-8080	Sand Blast	Die Cast Aluminum

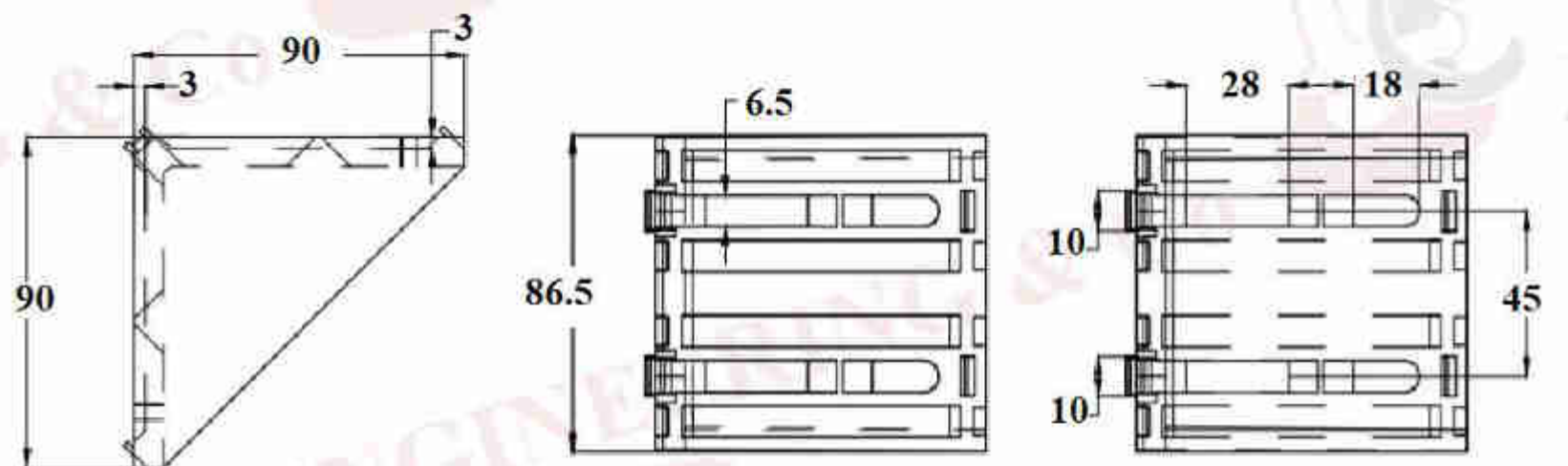


Size (mm)	Slot Width (mm)	Part Number	Surface	Material
45x45	10	J38-BK-4545	Sand Blast	Die Cast Aluminum

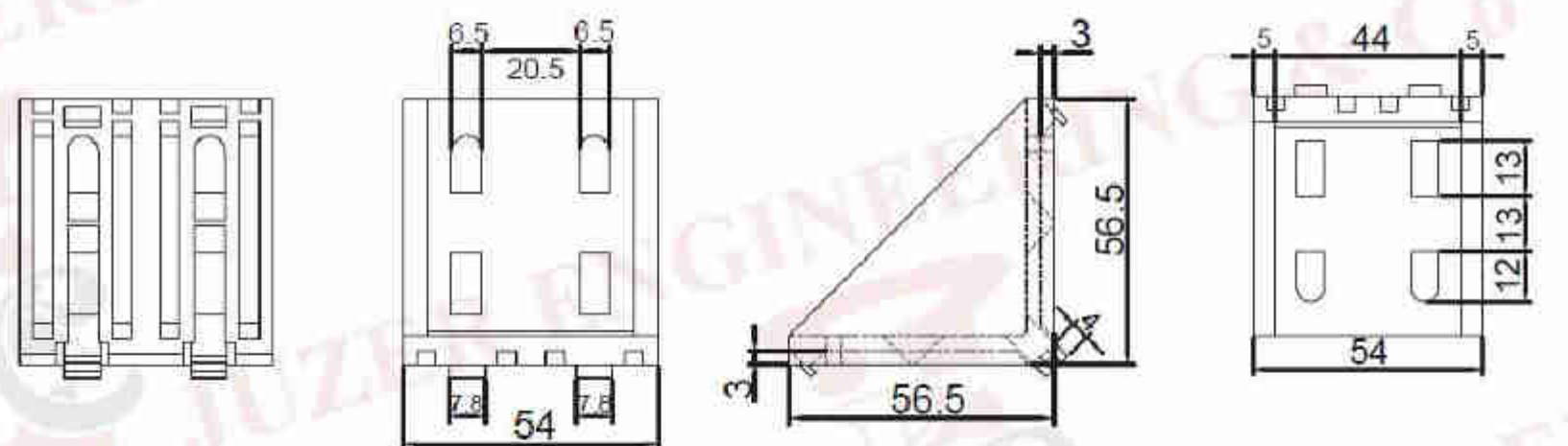




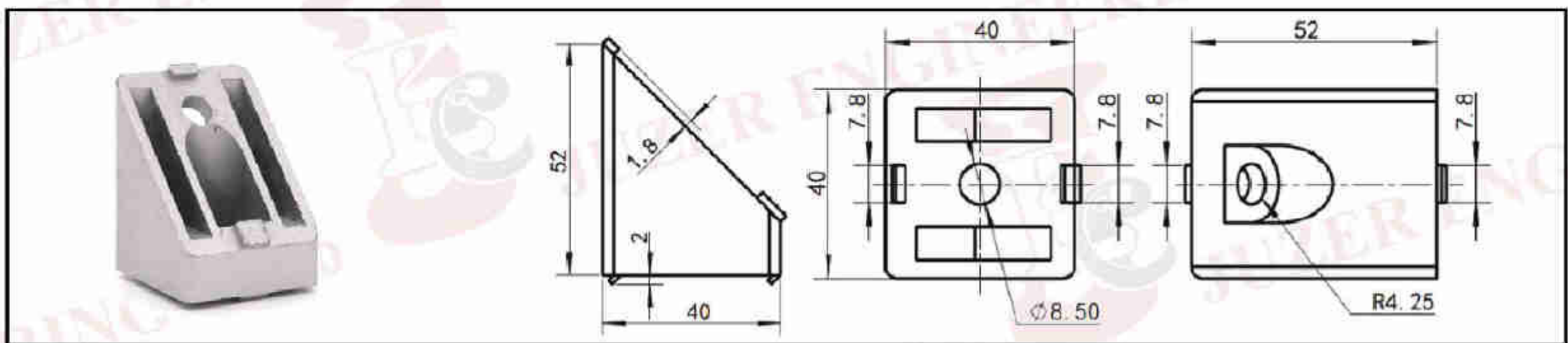
Size (mm)	Slot Width (mm)	Part Number	Surface	Material
45x90	10	J38-BK-4590	Sand Blast	Die Cast Aluminum



Size (mm)	Slot Width (mm)	Part Number	Surface	Material
90x90	10	J38-BK-9090	Sand Blast	Die Cast Aluminum

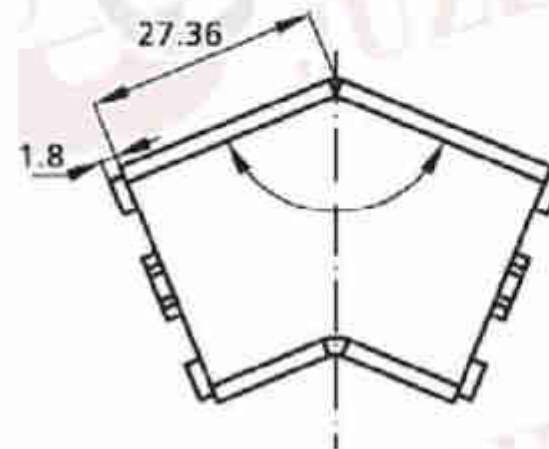
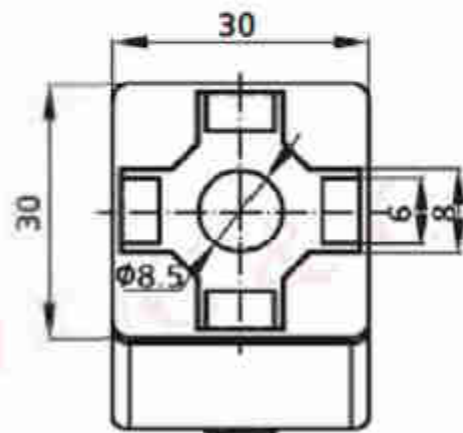
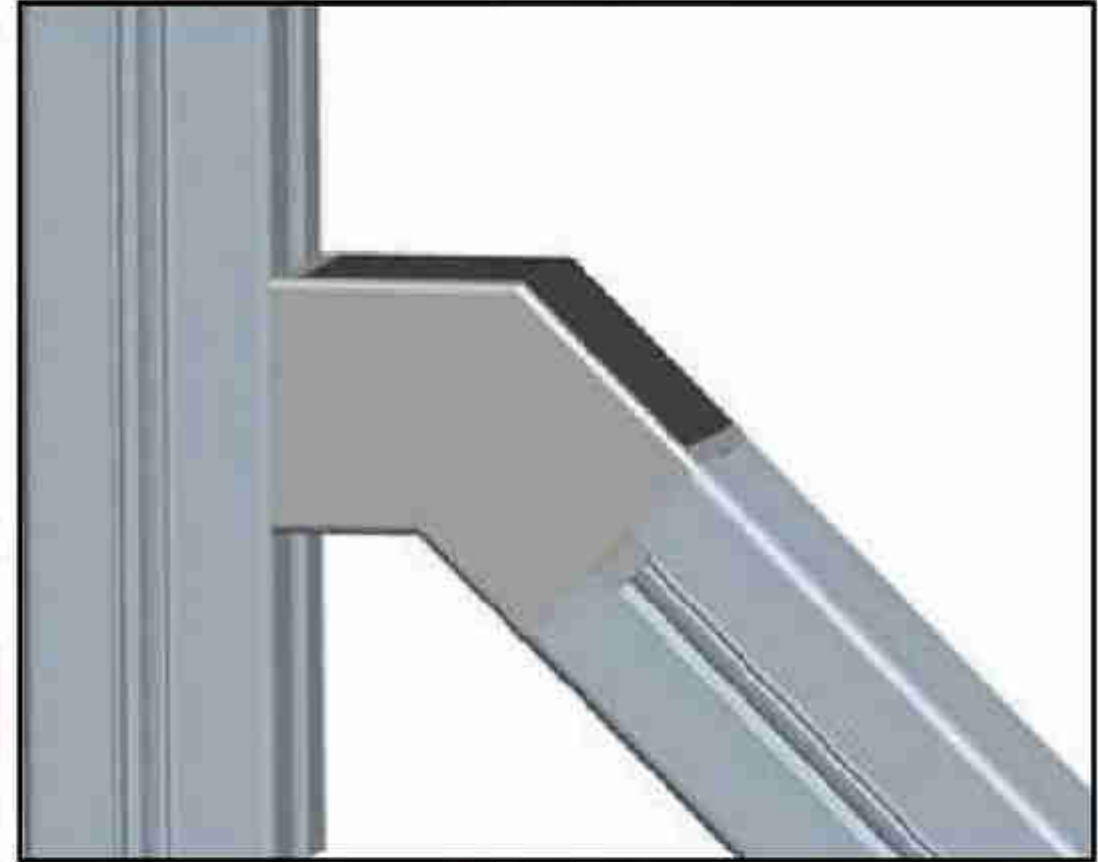
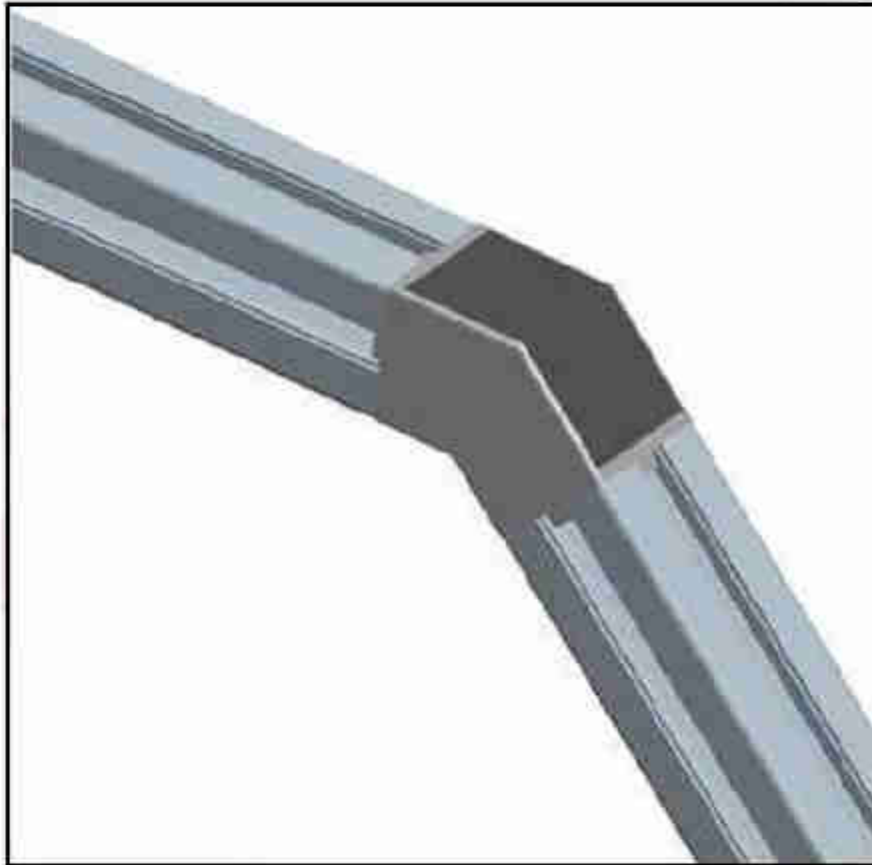


Size (mm)	Slot Width (mm)	Part Number	Surface	Material
60x60	10	J38-BK-6060	Sand Blast	Die Cast Aluminum

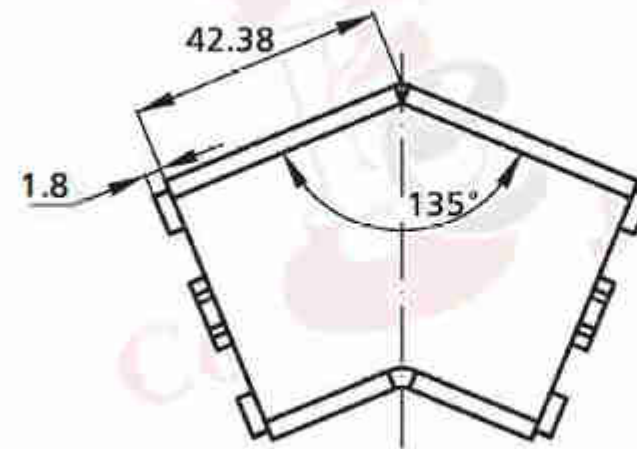
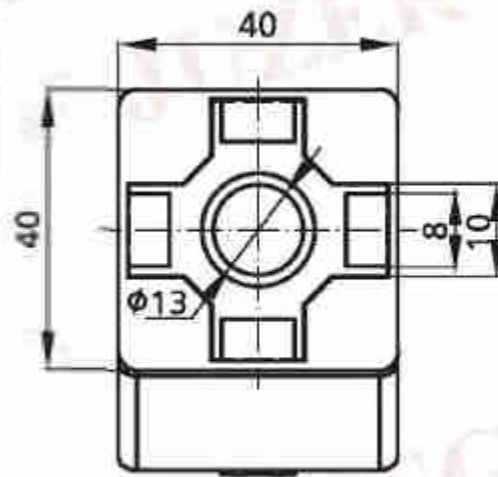


**45° ANGLE BRACKET**

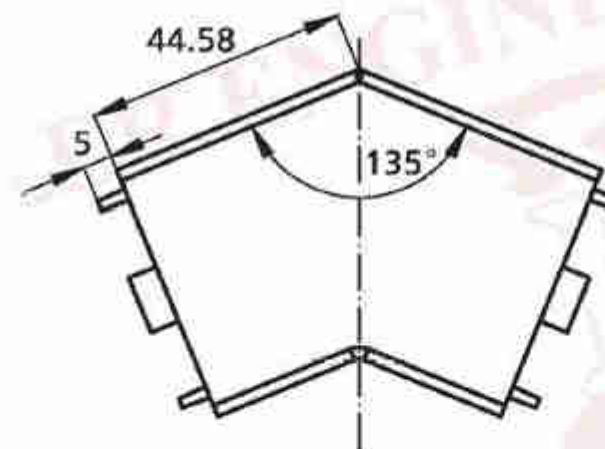
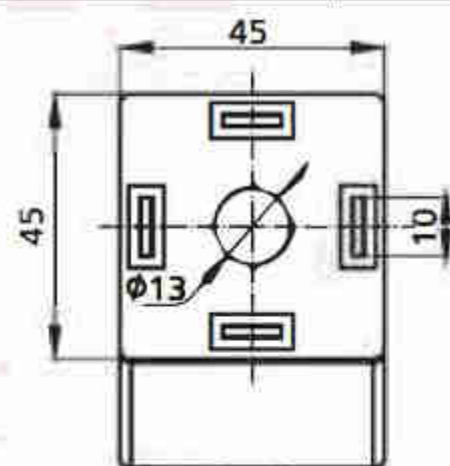
Size (mm)	Slot Width (mm)	Part Number	Surface	Material
30x30	8	J39-BK3030-45°	Anodized	Die Cast Aluminum
40x40	10	J39-BK4040-45°	Anodized	Die Cast Aluminum
45x45	10	J39-BK4545-45°	Anodized	Die Cast Aluminum



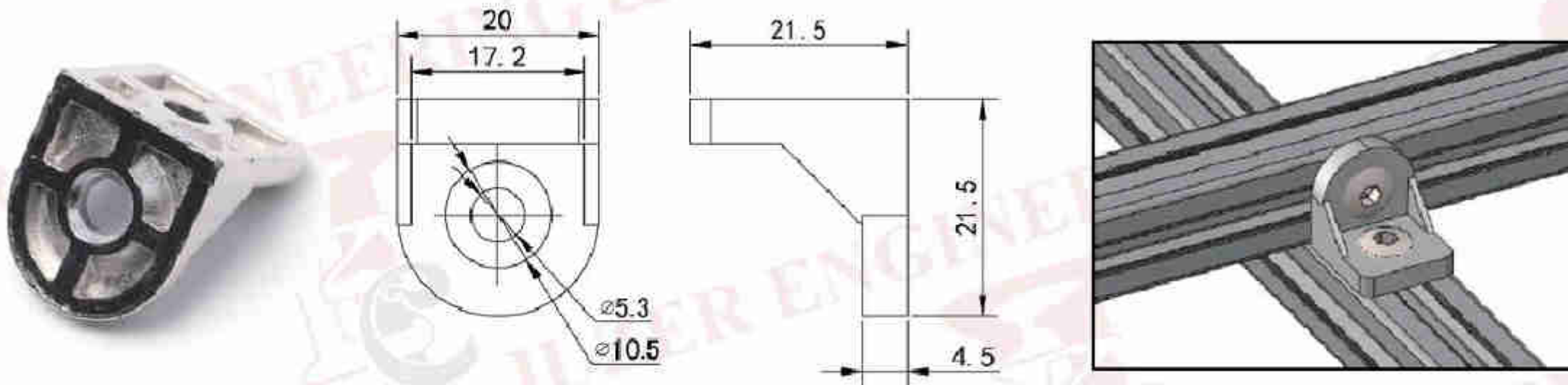
Size (mm)	Slot Width (mm)	Part Number	Surface	Material
30x30	8	J40-BK3030-135°	Anodized	Die Cast Aluminum



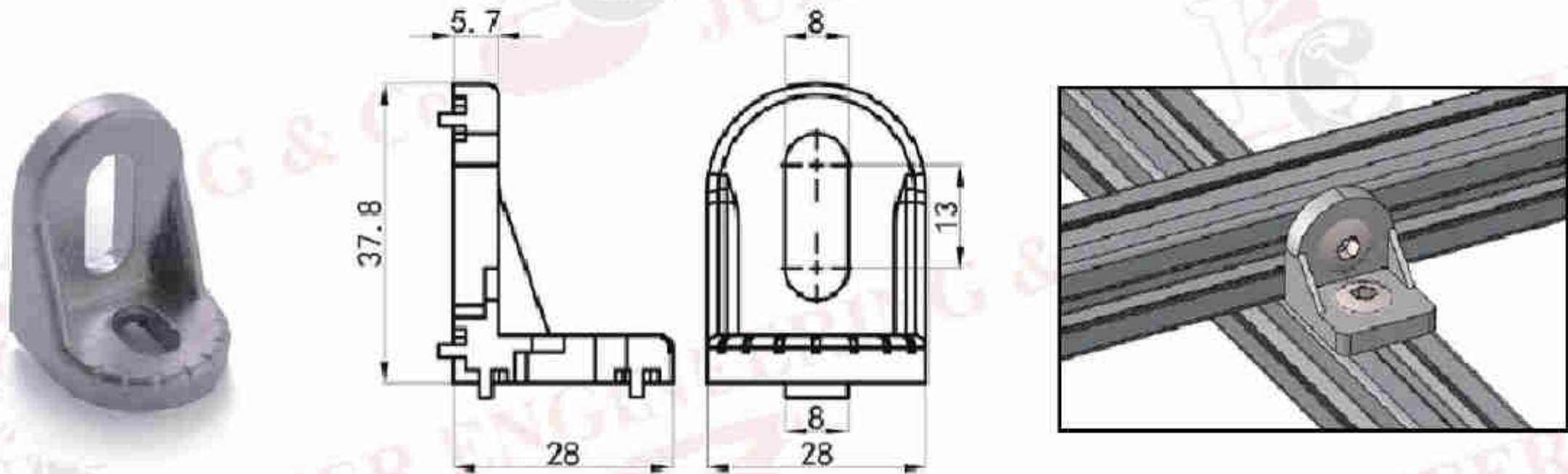
Size (mm)	Slot Width (mm)	Part Number	Surface	Material
40x40	10	J40-BK4040-135°	Anodized	Die Cast Aluminum



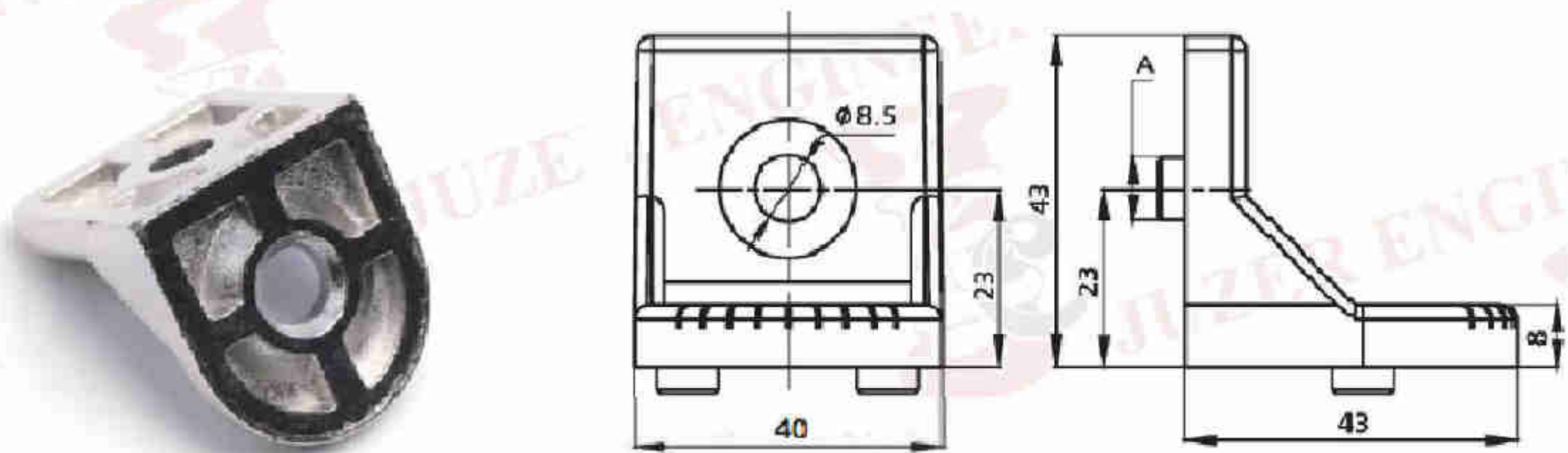
Size (mm)	Slot Width (mm)	Part Number	Surface	Material
45x45	10	J40-BK4545-135°	Anodized	Die Cast Aluminum



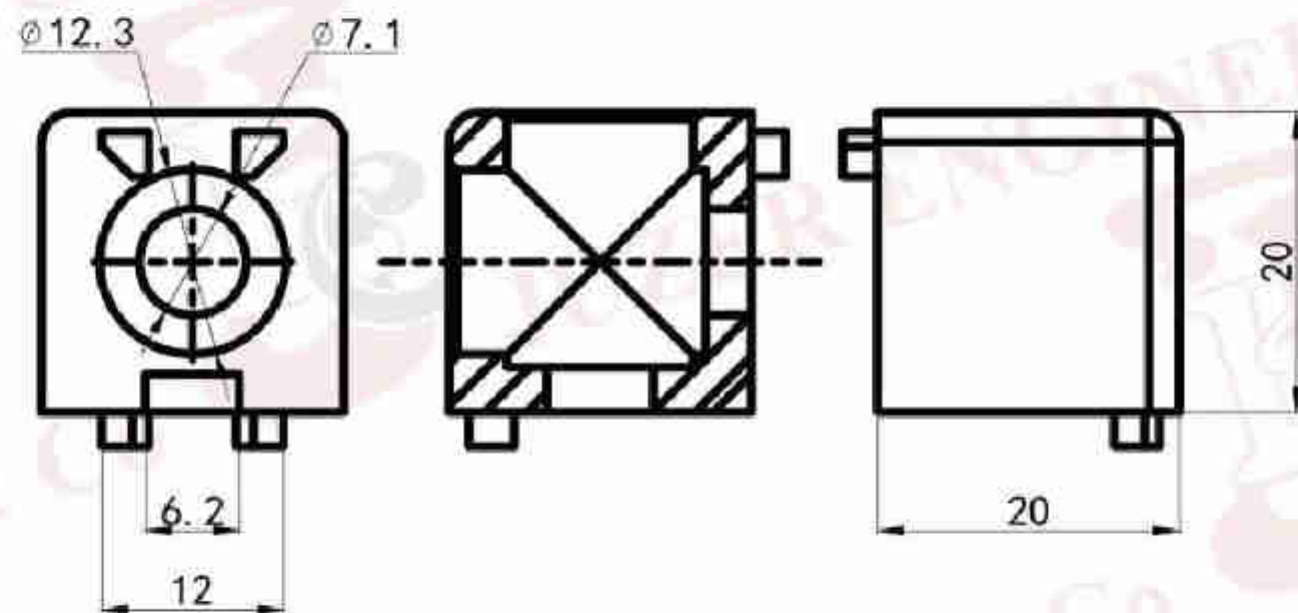
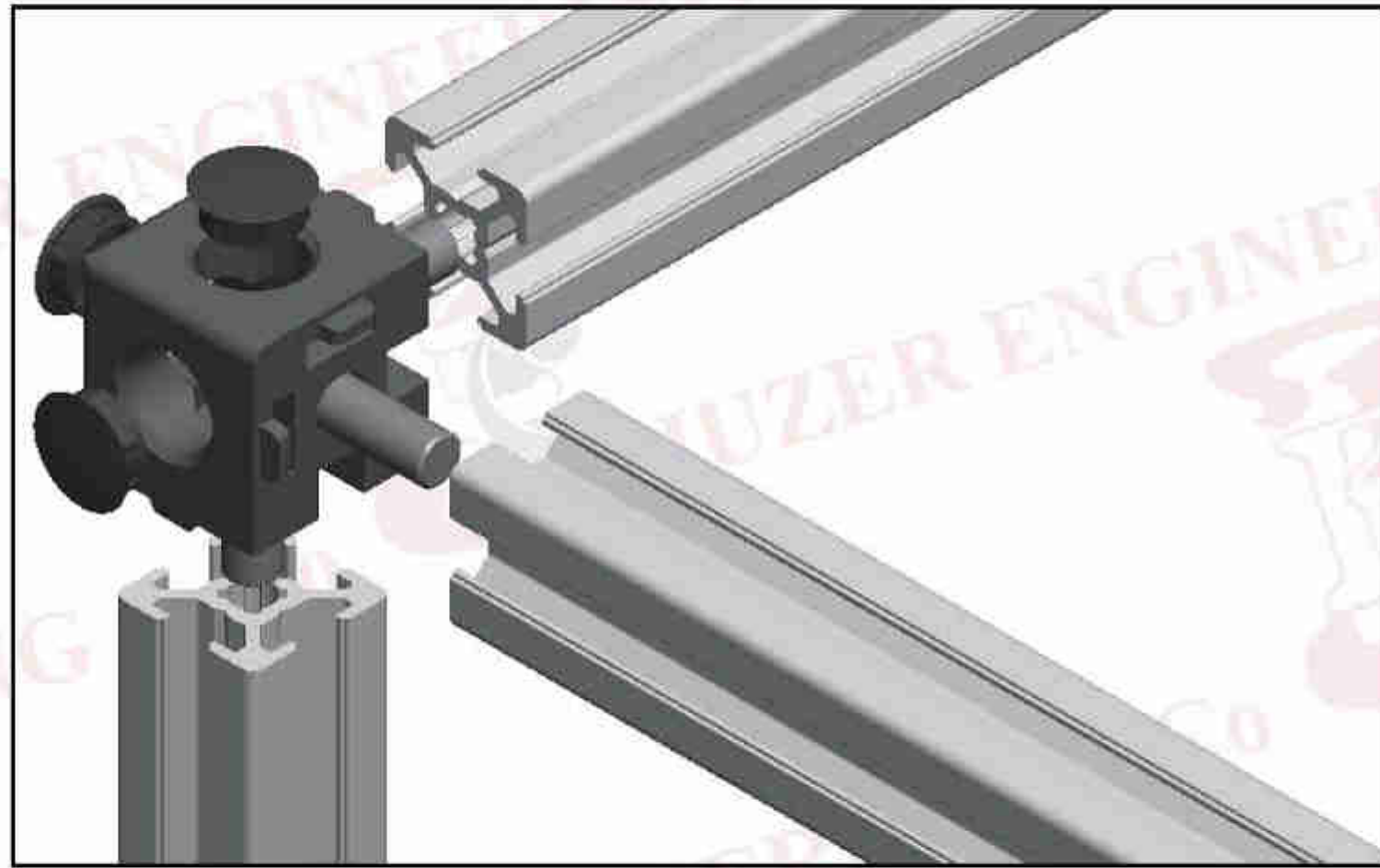
Size (mm)	Slot Width (mm)	Part Number	Surface	Material
20x20	6	J41-BK-2020S	Anodized	Die Cast Aluminum



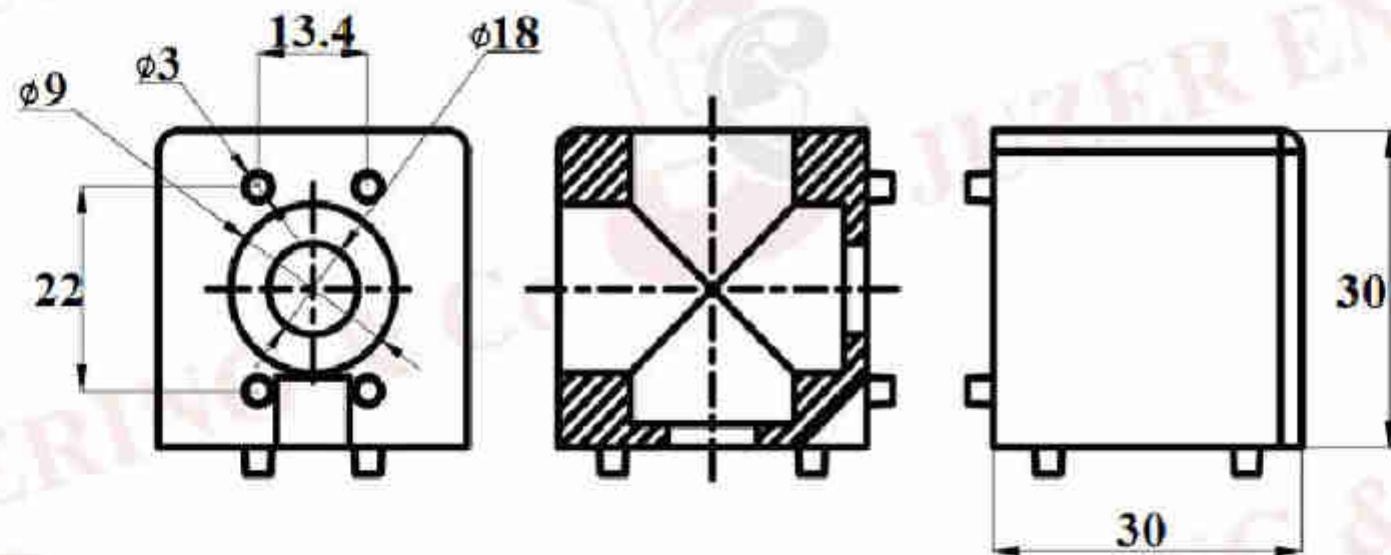
Size (mm)	Slot Width (mm)	Part Number	Surface	Material
30x30	8	J41-BK-3030S	Anodized	Die Cast Aluminum



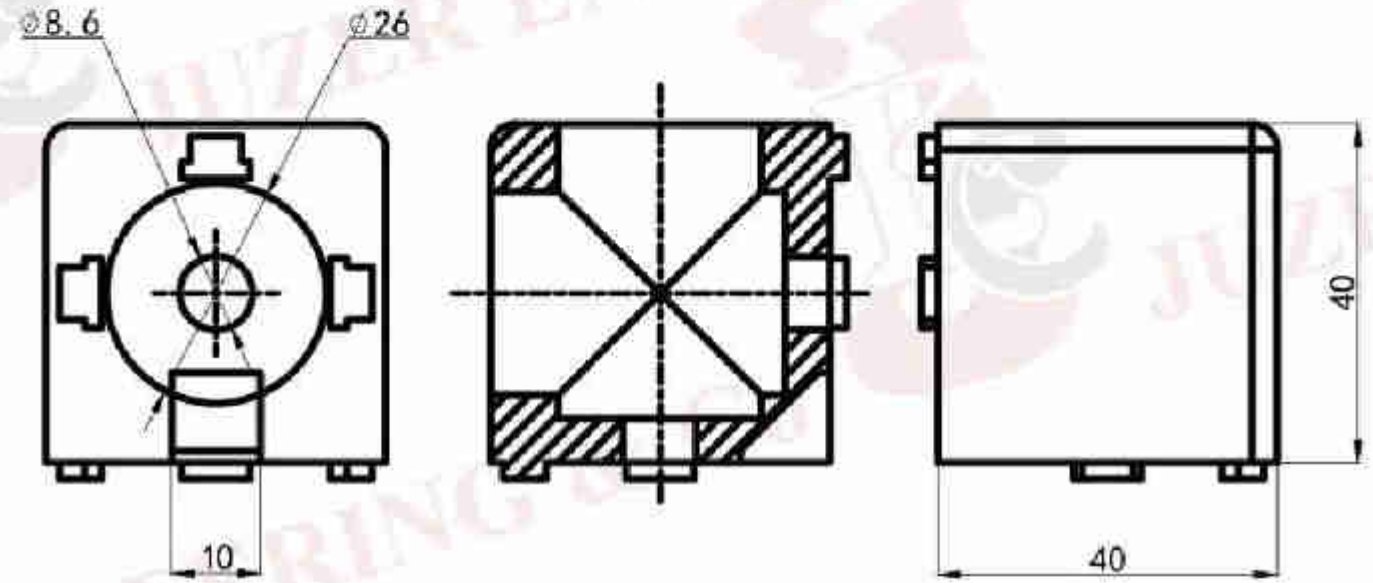
Size (mm)	Slot Width (mm)	Part Number	Surface	Material
40x40	10	J41-BK-4040S	Anodized	Die Cast Aluminum



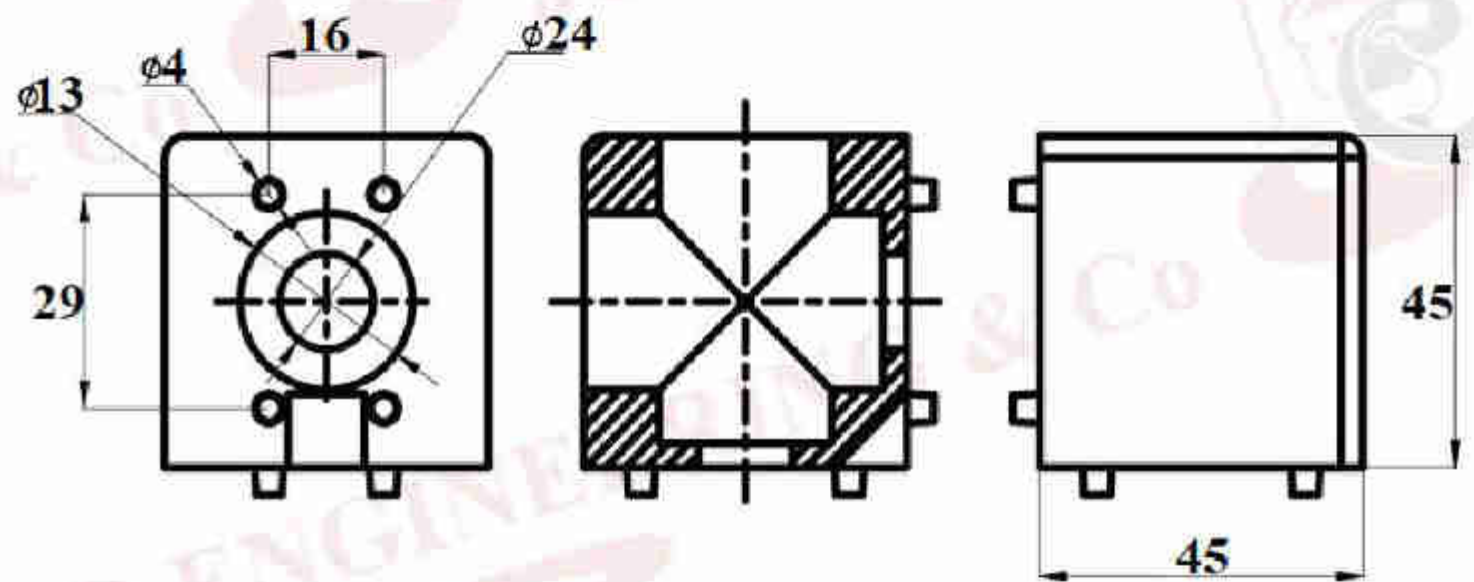
Size (mm)	Part Number	Surface	Material
20x20	J42-2WCB-2020	Anodized	Die Cast Aluminum



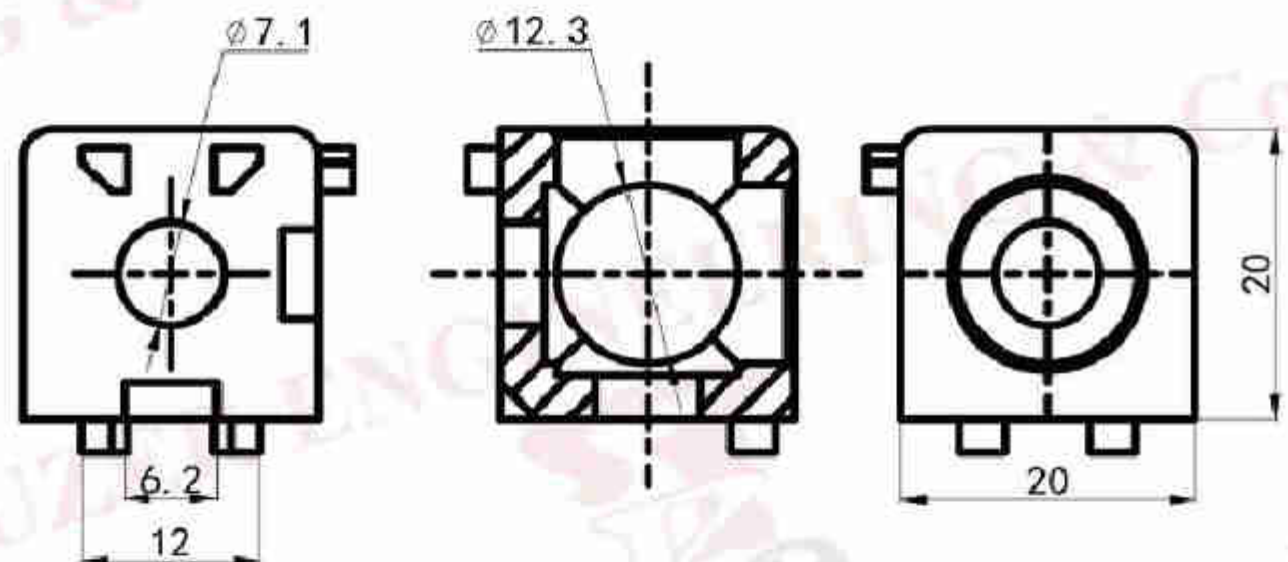
Size (mm)	Part Number	Surface	Material
30x30	J42-2WCB-3030	Anodized	Die Cast Aluminum



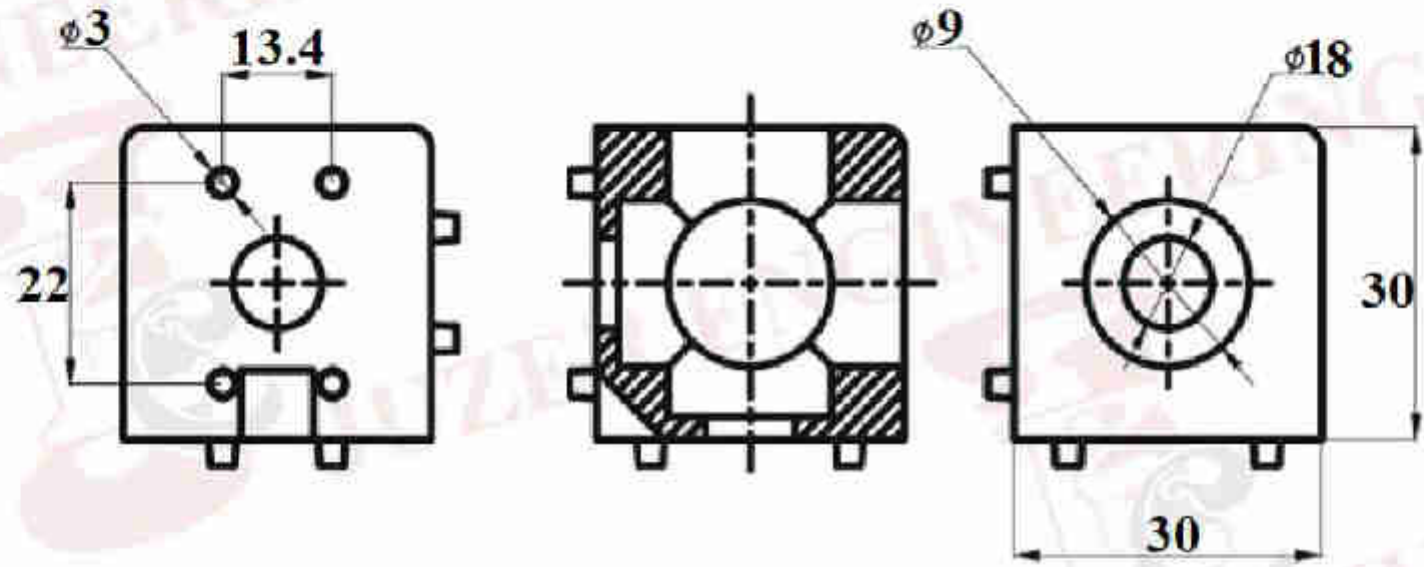
Size (mm)	Part Number	Surface	Material
40x40	J42-2WCB-4040	Anodized	Die Cast Aluminum



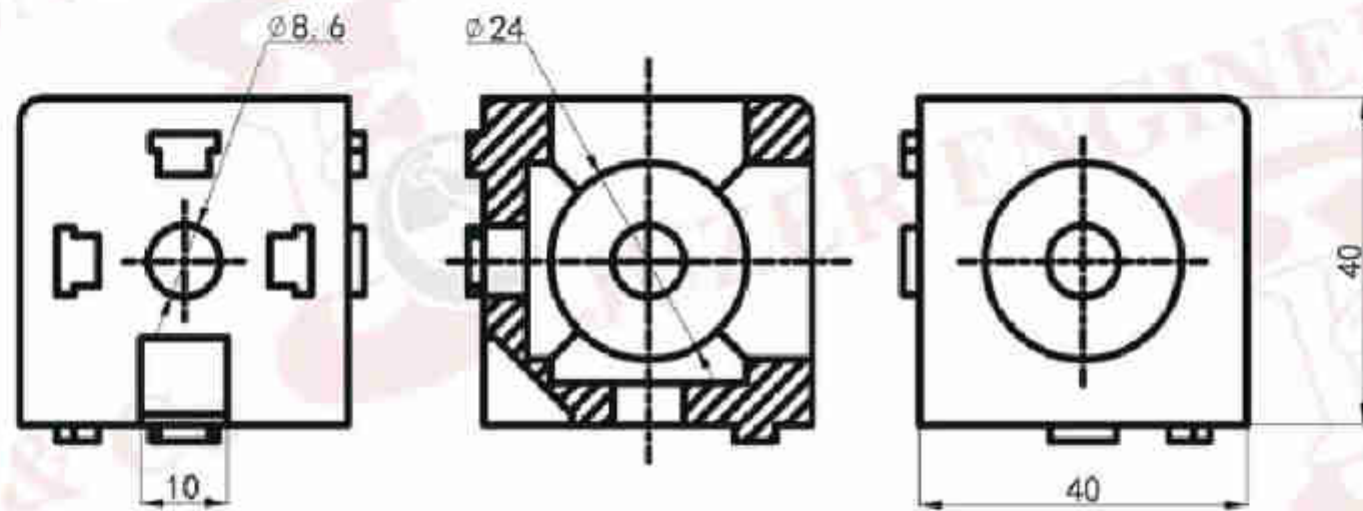
Size (mm)	Part Number	Surface	Material
45x45	J42-2WCB-4545	Anodized	Die Cast Aluminum



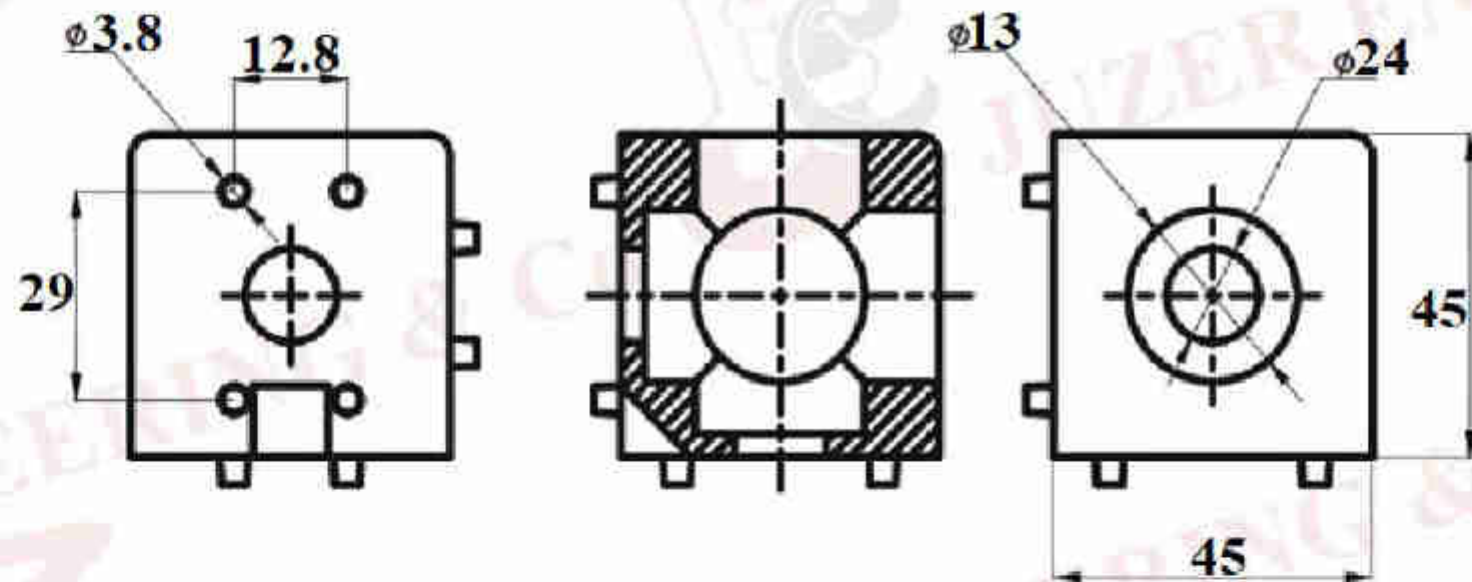
Size (mm)	Part Number	Surface	Material
20x20	J43-3WCB-2020	Anodized	Die Cast Aluminum



Size (mm)	Part Number	Surface	Material
30x30	J43-3WCB-3030	Anodized	Die Cast Aluminum

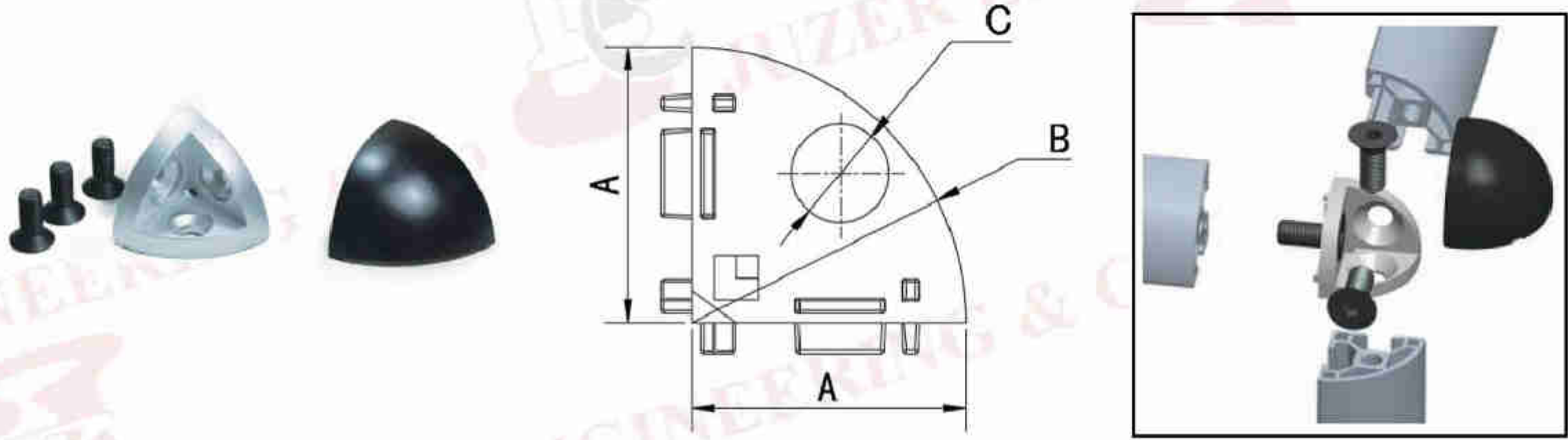


Size (mm)	Part Number	Surface	Material
40x40	J43-3WCB-4040	Anodized	Die Cast Aluminum

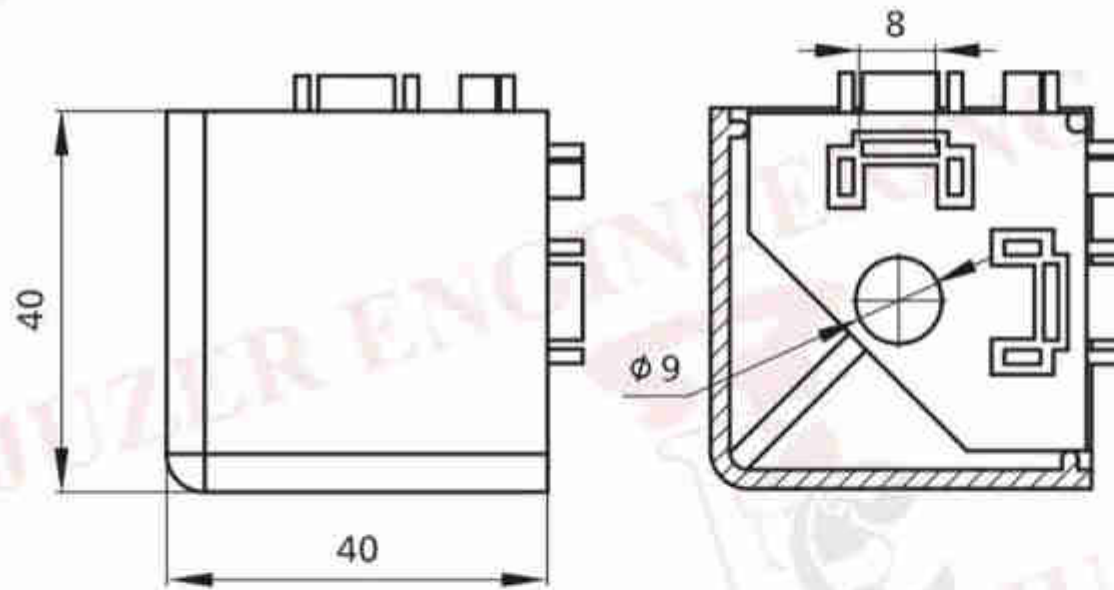


Size (mm)	Part Number	Surface	Material
45x45	J43-3WCB-4545	Anodized	Die Cast Aluminum

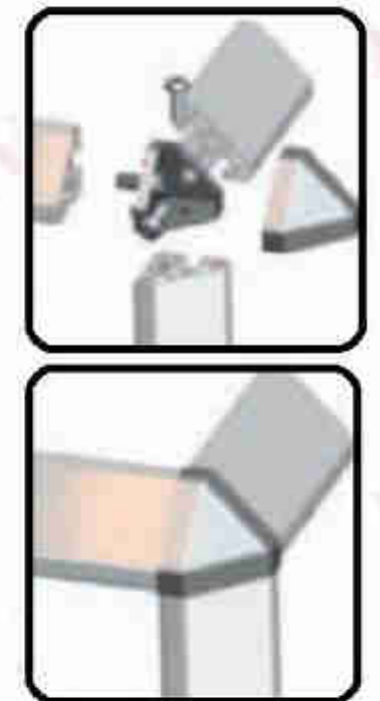
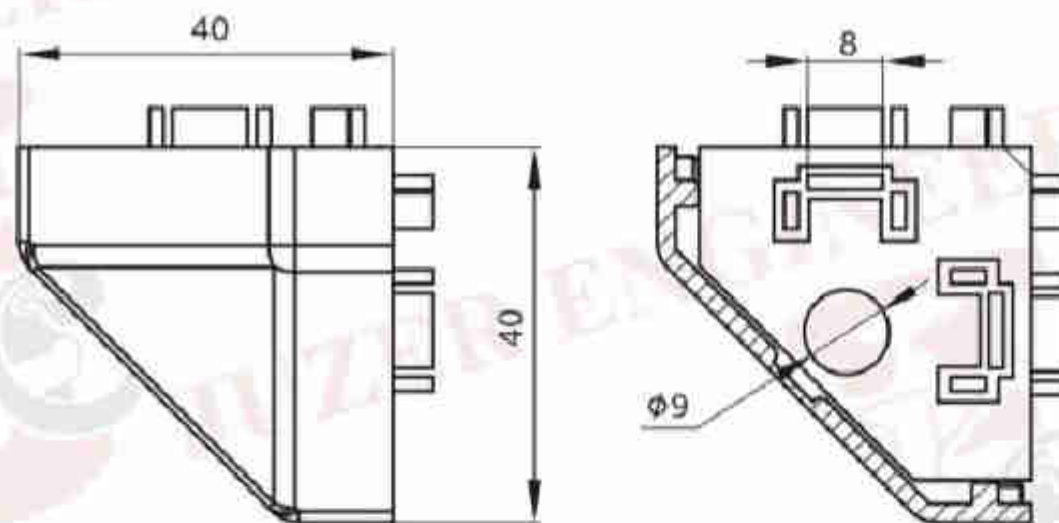




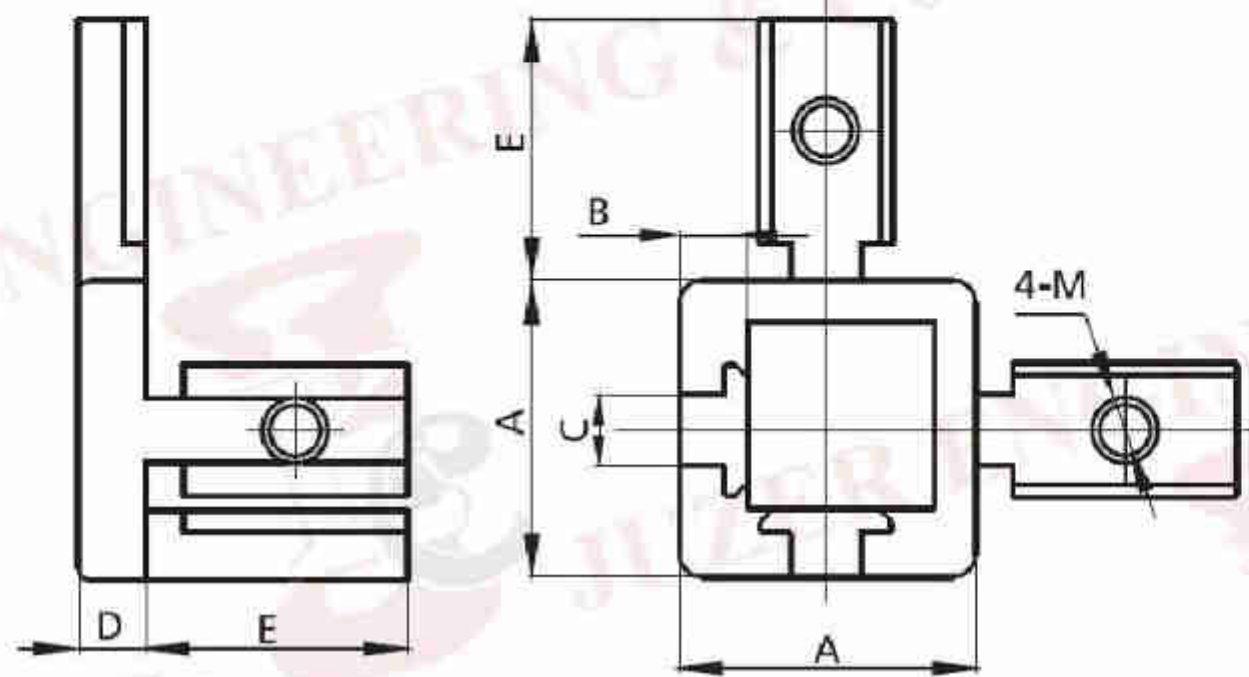
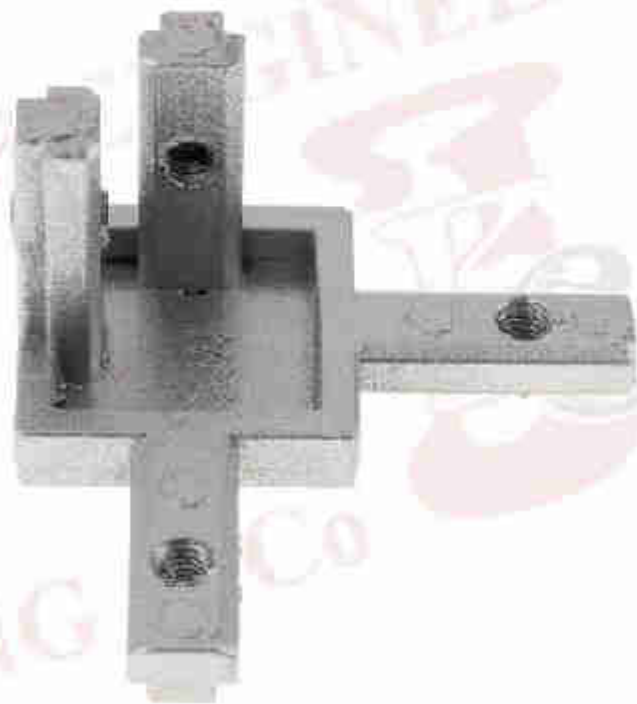
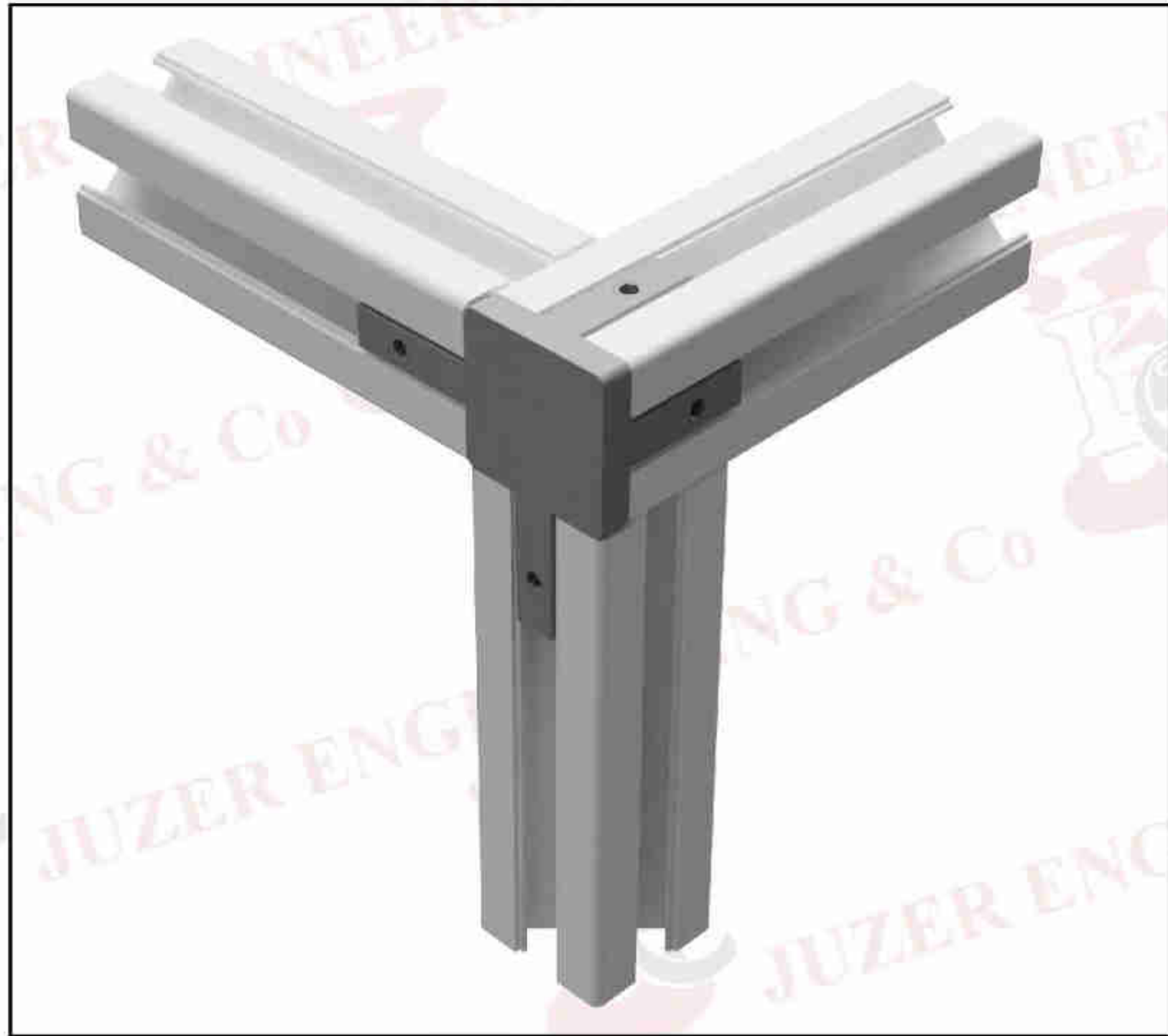
Size (mm)	Part Number	A	B	C	Surface	Material
20x20	J44-BK-2020R	18.5	R20	6	Zinc Plated	Die Cast Zinc
30x30	J44-BK-3030R	28	R30	9	Zinc Plated	Die Cast Zinc
40x40	J44-BK-4040R	38	R40	9	Zinc Plated	Die Cast Zinc
45x45	J44-BK-4545R	42	R45	12.5	Zinc Plated	Die Cast Zinc



Size (mm)	Part Number	Surface	Material
40x40	J100-BK-4040-SQ	Zinc Plated	Die Cast Zinc

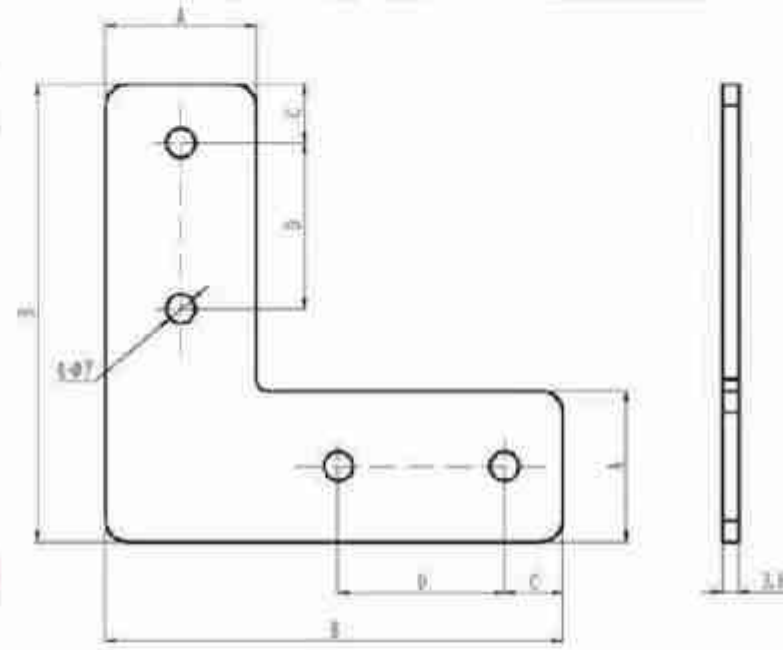


Size (mm)	Part Number	Surface	Material
40x40	J100-BK-4040-ANG	Zinc Plated	Die Cast Zinc

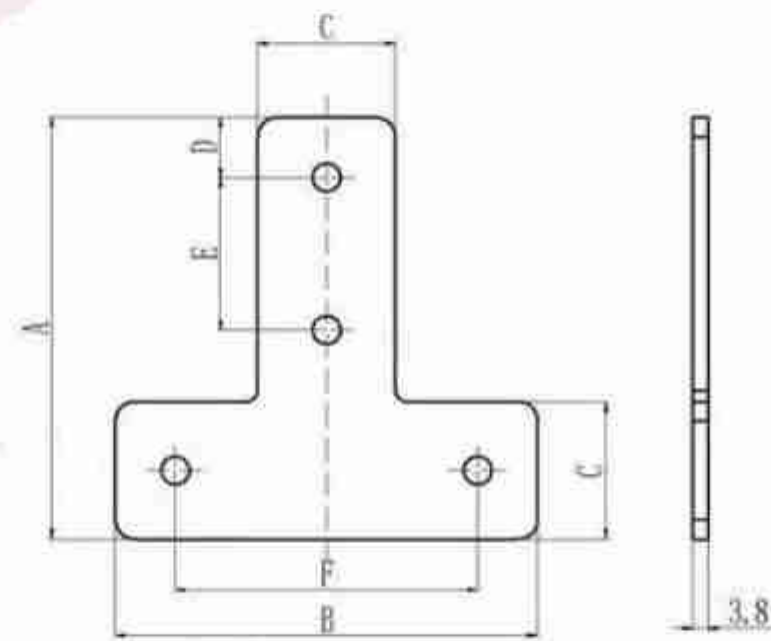


ALL DIMENSIONS IN mm

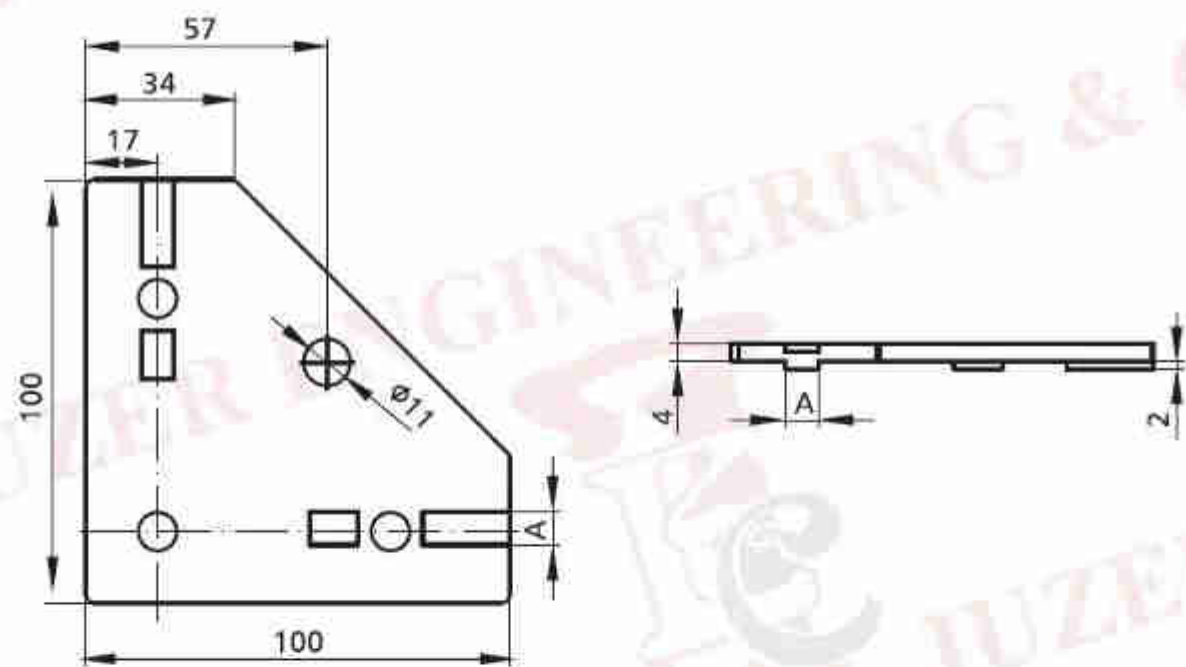
Size(mm)	Slot Size	Part Number	A	B	C	D	E	M	Surface	Material
20x20	6	J45-3WIB-2020	20	5	5.5	5	15.5	M4	Zinc Plated	Die Cast Zinc
30x30	8	J45-3WIB-3030	30	5	7.5	5	25	M6	Zinc Plated	Die Cast Zinc
40x40	10	J45-3WIB-4040	40	9.1	9.5	9.1	35	M8	Zinc Plated	Die Cast Zinc



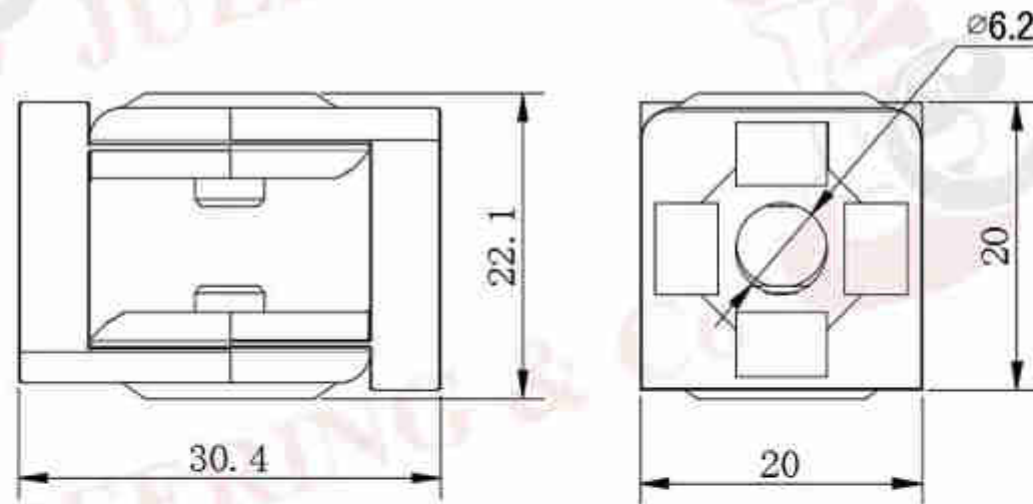
Profile Size	Part Number	A	B	C	D	Surface	Material
30x30	J46-LPC-3030	100	90	15	35	Zinc Plated	Carbon Steel
40x40 45x45	J46-LPC-40/45	36	110	15	40	Zinc Plated	Carbon Steel



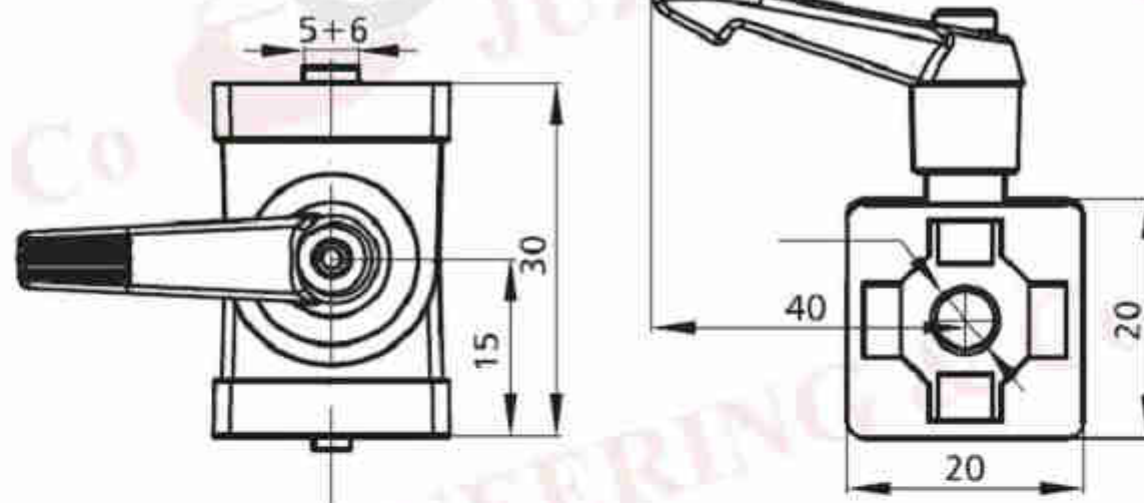
Profile Size	Part Number	A	B	C	D	E	F	Surface	Material
30x30	J47-TPC-3030	97	90	26	15	35	60	Zinc Plated	Carbon Steel
40x40 45x45	J47-TPC-40/45	110	110	36	16	40	80	Zinc Plated	Carbon Steel



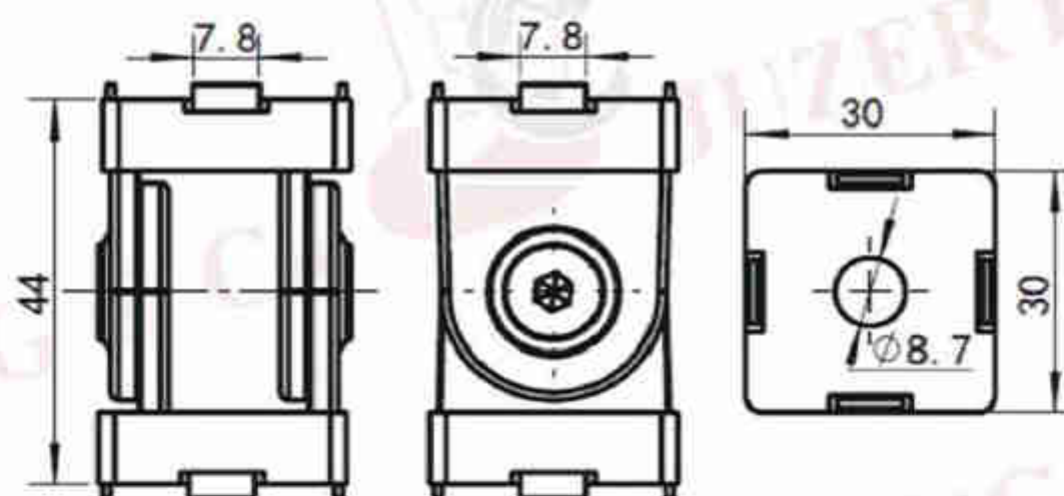
Slot Size (mm)	Part Number	Hole Size	Surface	Material
8	J48-CPC-08	M4	Zinc Plated	Carbon Steel
10	J48-CPC-10	M5	Zinc Plated	Carbon Steel



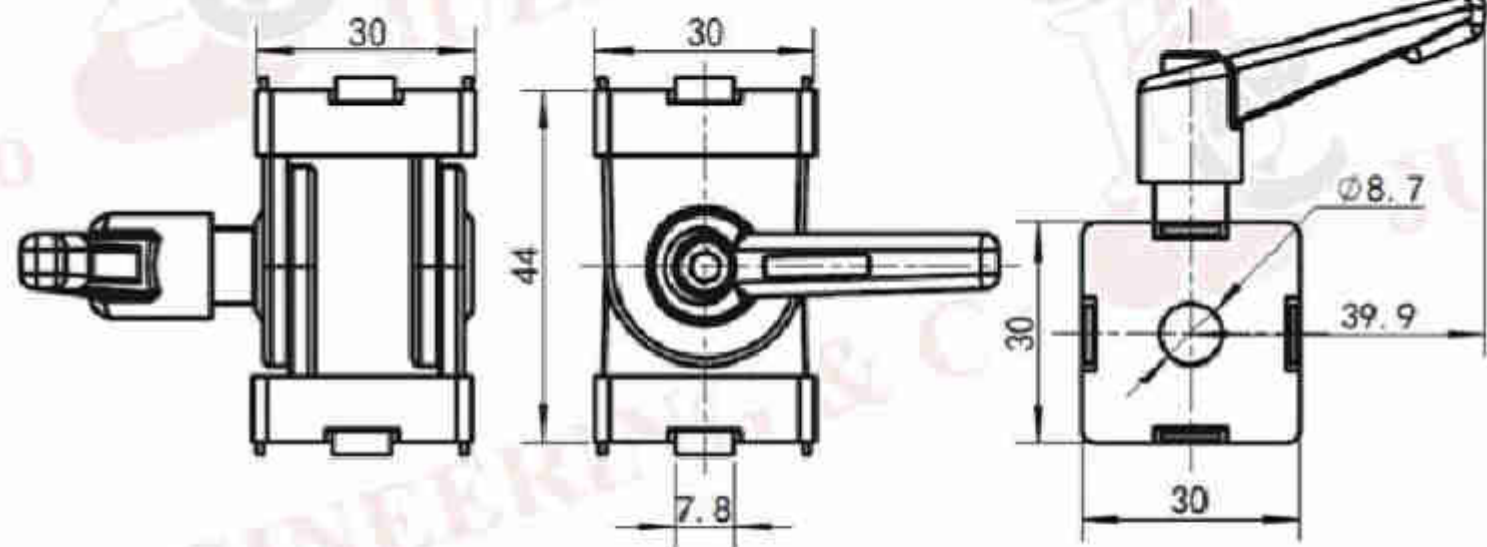
Size(mm)	Slot Size (mm)	Part Number	Surface	Material
20x20	6	J49-PJ-2020	Zinc Plated	Die Cast Zinc



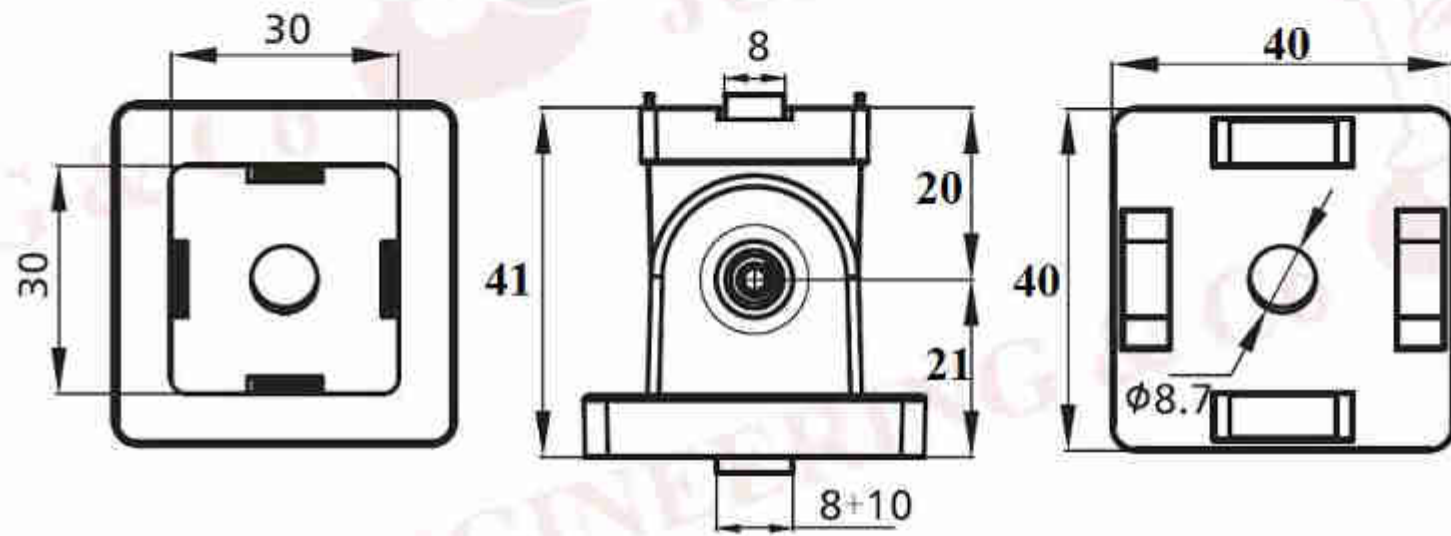
Size(mm)	Slot Size (mm)	Part Number	Surface	Material
20x20	6	J50-PJL-2020	Zinc Plated	Die Cast Zinc



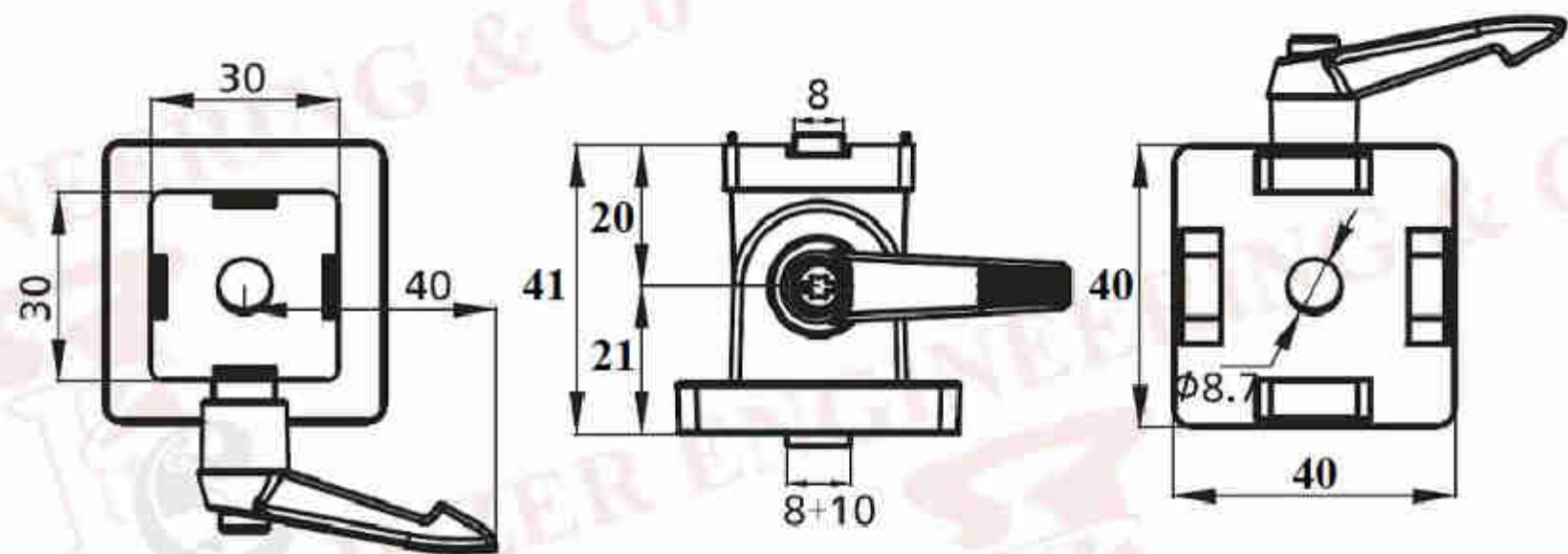
Size(mm)	Slot Size (mm)	Part Number	Surface	Material
30x30	8	J49-PJ-3030	Zinc Plated	Die Cast Zinc



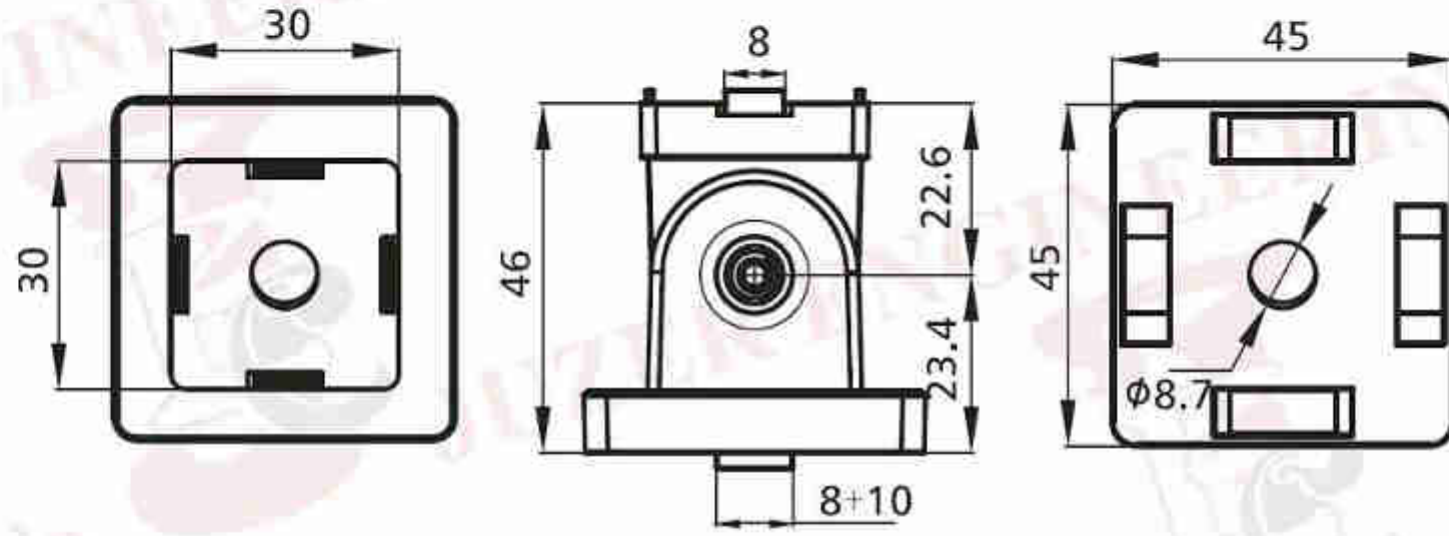
Size(mm)	Slot Size (mm)	Part Number	Surface	Material
30x30	8	J50-PJL-3030	Zinc Plated	Die Cast Zinc



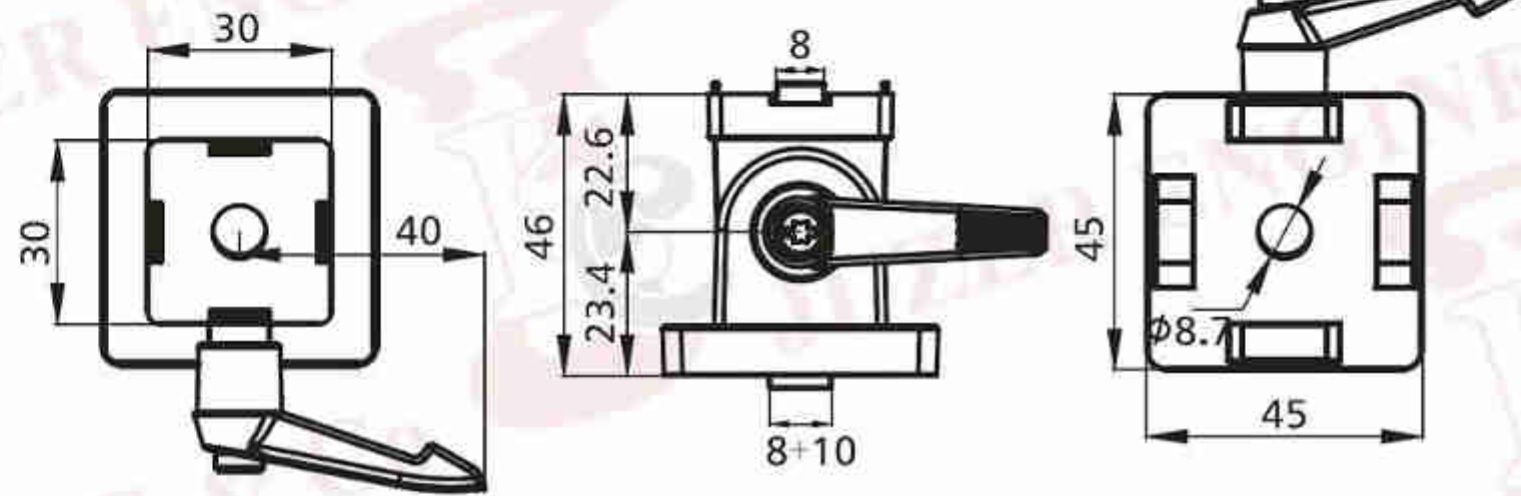
Size(mm)	Slot Size (mm)	Part Number	Surface	Material
30x40	8 + 10	J49-PJ-3040	Zinc Plated	Die Cast Zinc



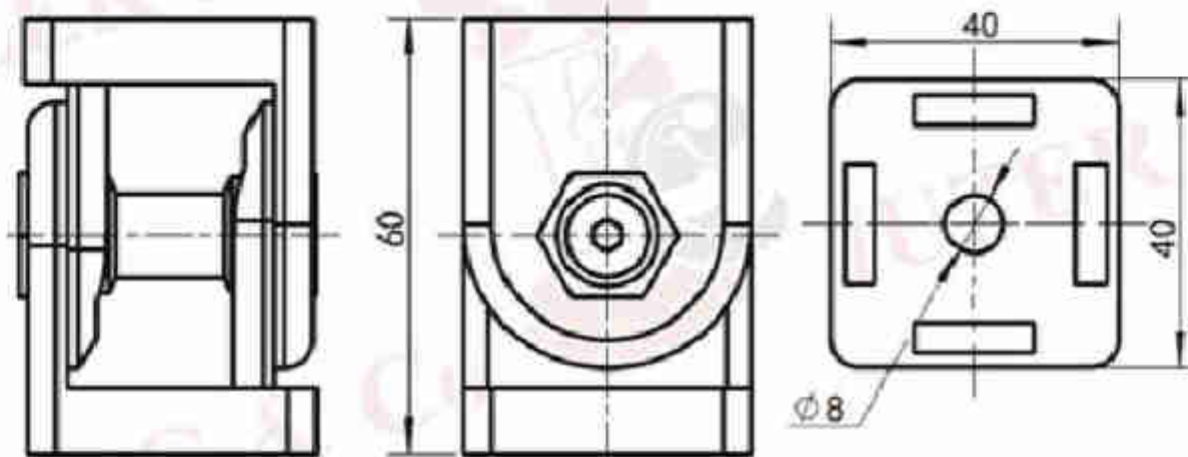
Size(mm)	Slot Size (mm)	Part Number	Surface	Material
30x40	8 + 10	J50-PJL-3040	Zinc Plated	Die Cast Zinc



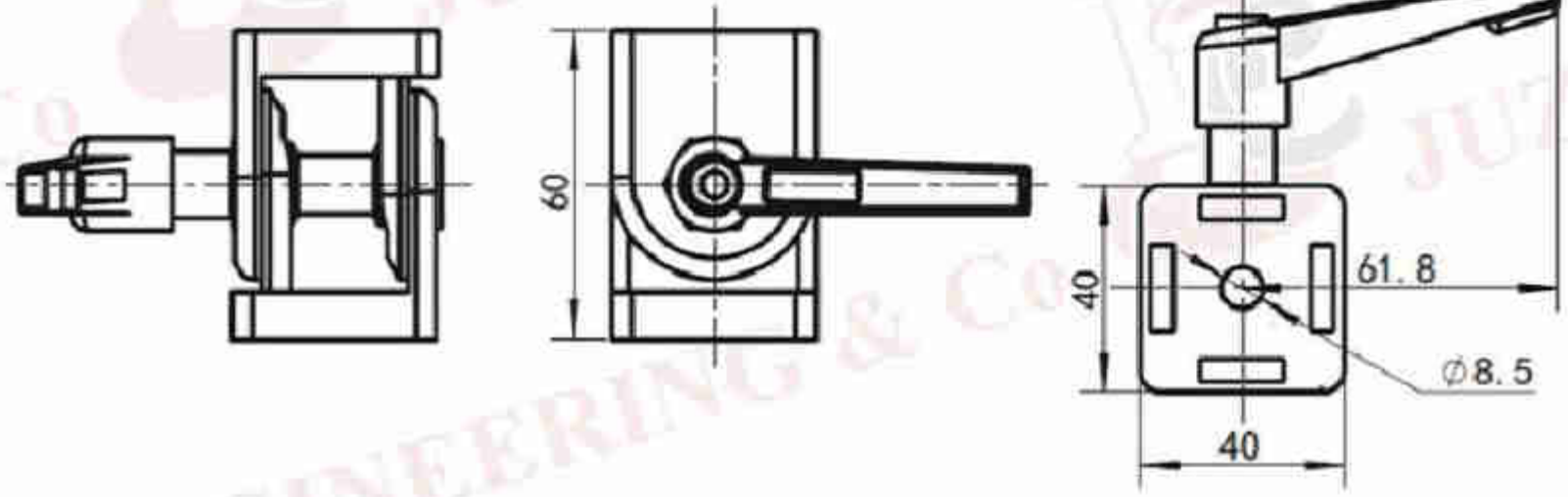
Size(mm)	Slot Size (mm)	Part Number	Surface	Material
30x45	8 + 10	J49-PJ-3045	Zinc Plated	Die Cast Zinc



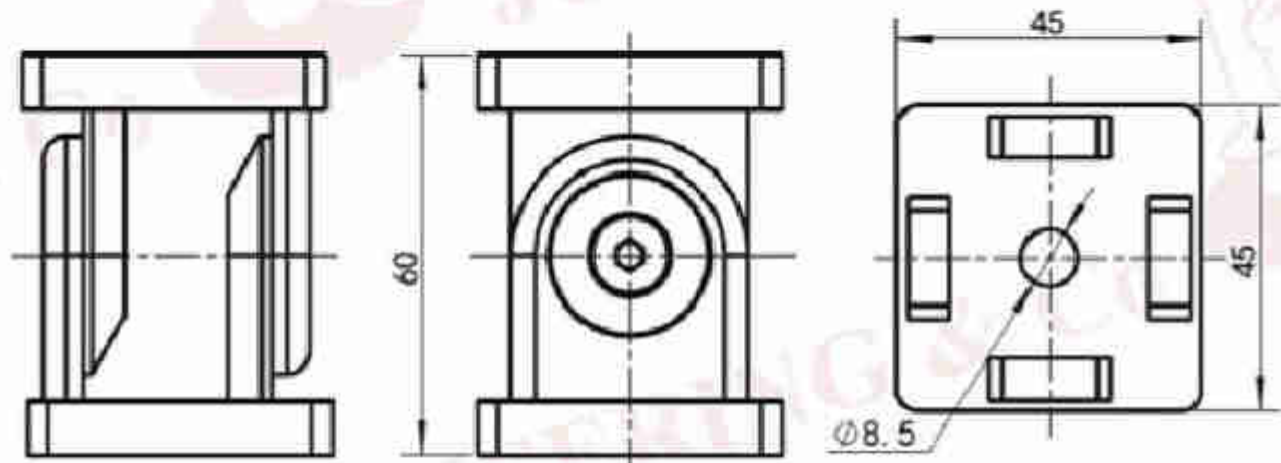
Size(mm)	Slot Size (mm)	Part Number	Surface	Material
30x45	8 + 10	J50-PJL-3045	Zinc Plated	Die Cast Zinc



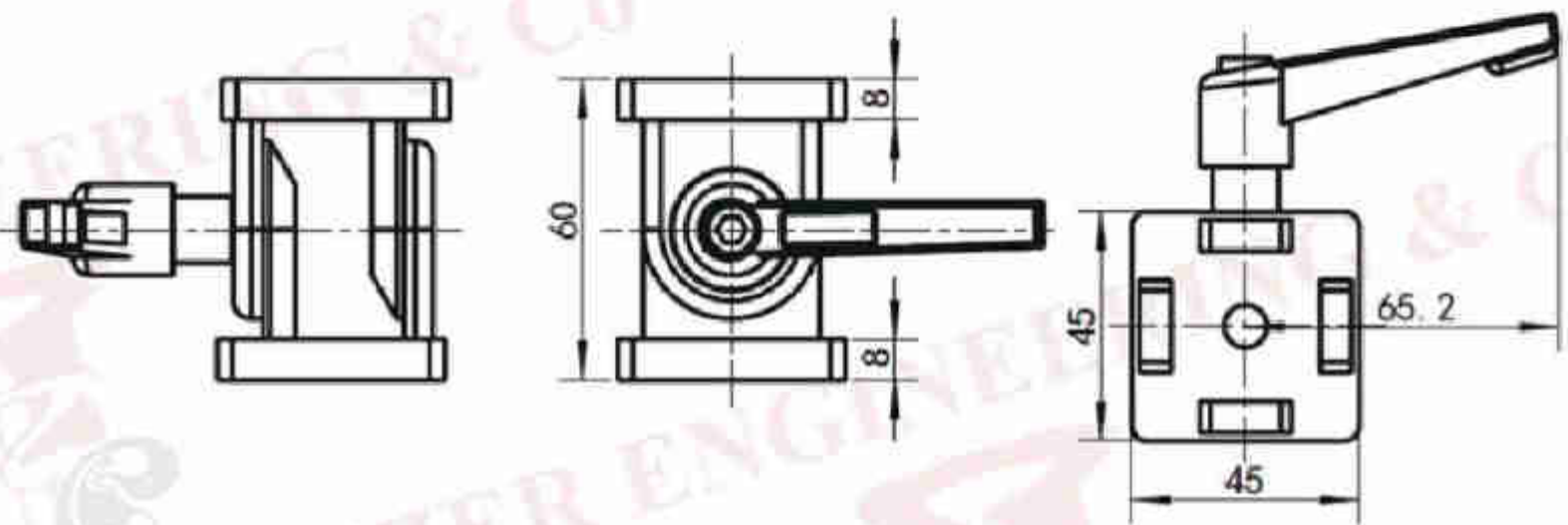
Size(mm)	Slot Size (mm)	Part Number	Surface	Material
40x40	10	J49-PJ-4040	Zinc Plated	Die Cast Zinc



Size(mm)	Slot Size (mm)	Part Number	Surface	Material
40x40	10	J50-PJL-4040	Zinc Plated	Die Cast Zinc



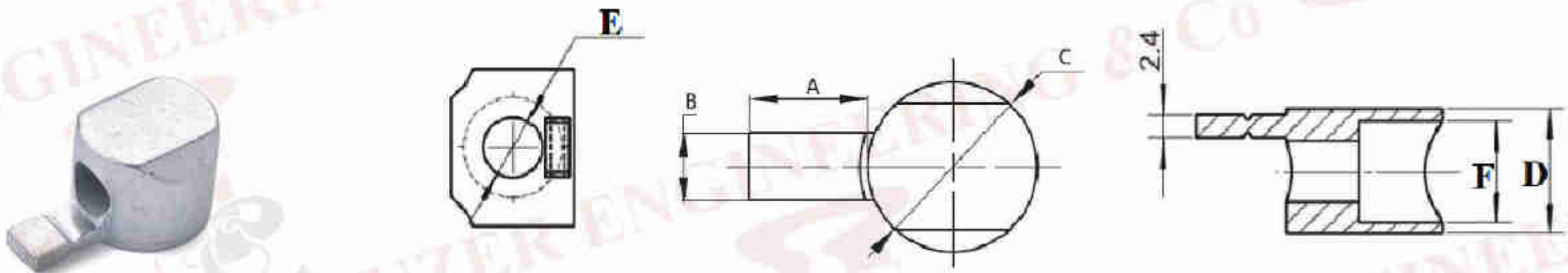
Size(mm)	Slot Size (mm)	Part Number	Surface	Material
45x45	10	J49-PJ-4545	Zinc Plated	Die Cast Zinc



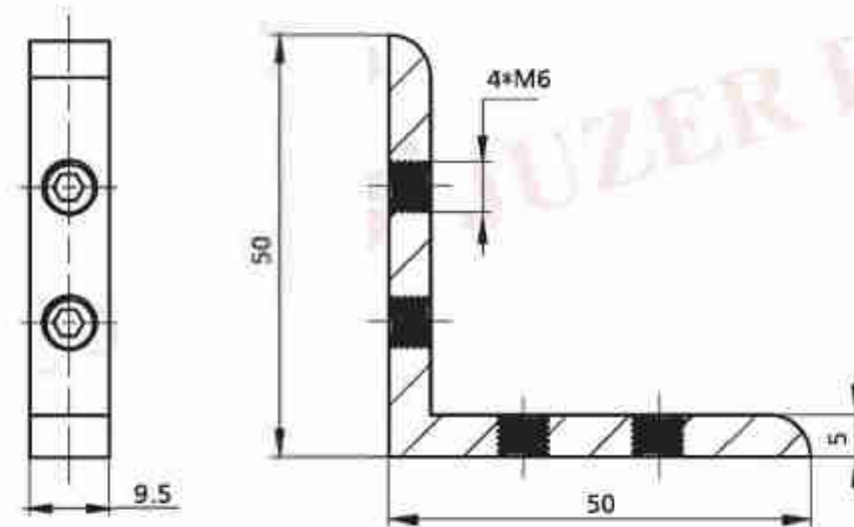
Size(mm)	Slot Size (mm)	Part Number	Surface	Material
45x45	10	J50-PJL-4545	Zinc Plated	Die Cast Zinc



ALL DIMENSIONS IN mm

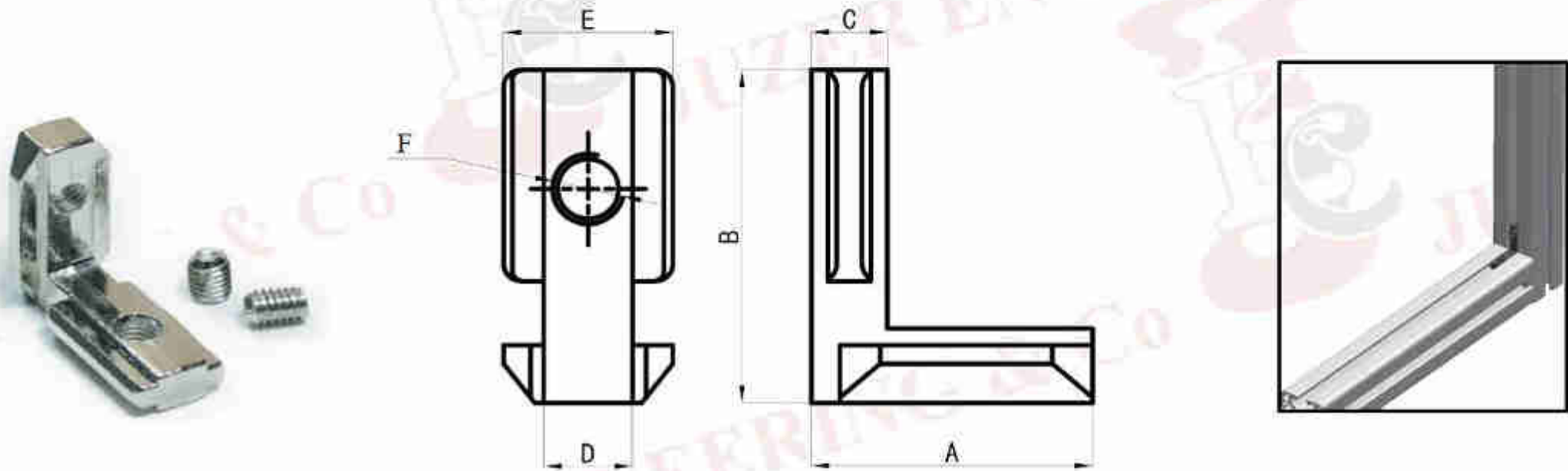


Size	Slot	Part Number	A	B	C	D	E	F	Surface	Material
20x20	6	J51-UC-06	9	5.7	Φ15.8	12.5	Φ5.9	Φ10.2	Zinc Plated	Die Cast Zinc
30x30	8	J51-UC-08	13.8	7.8	Φ19.8	16	Φ7.8	Φ13.8	Zinc Plated	Die Cast Zinc
40x40	10	J51-UC-10	13.8	9.8	Φ19.8	16	Φ9.8	Φ13.8	Zinc Plated	Die Cast Zinc
45x45										

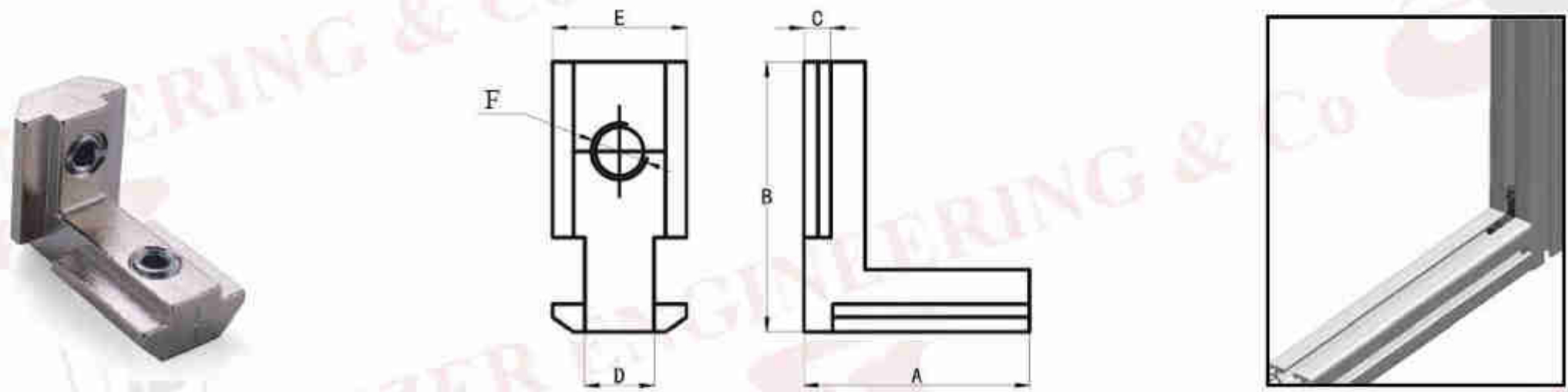


Profile Size (mm)	Part Number	Surface	Material
15x30	J52-IC-1530	Nickel Plated	Die Cast Zinc

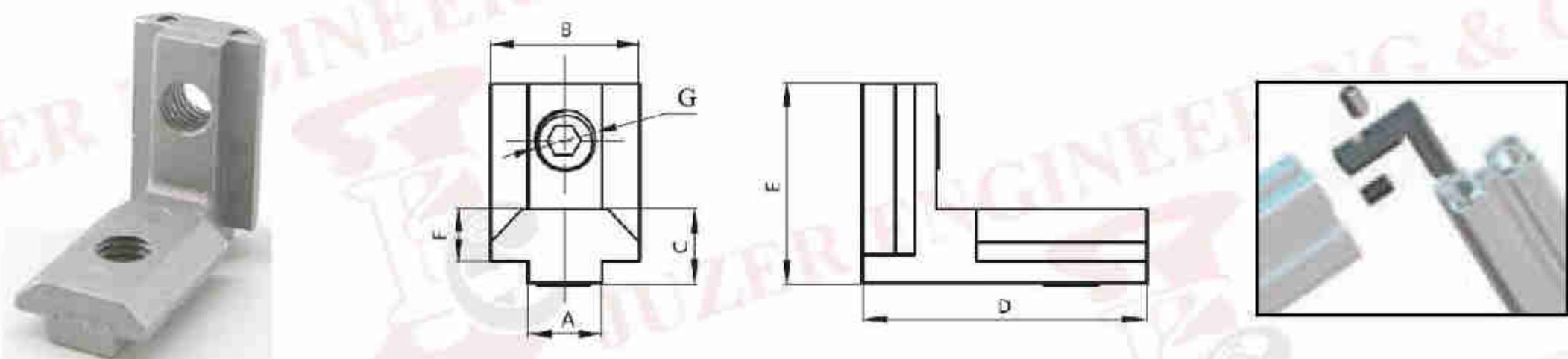




Slot Size	Part Number	A	B	C	D	E	F	Surface	Material
6	J53-IC-06	25	26	4.7	5.6	9.5	M5	Zn/Ni Plated	Die Cast Zinc
8	J53-IC-08	30.5	35.5	7.2	7.5	14.5	M6	Zn/Ni Plated	Die Cast Zinc
10	J53-IC-10	31.5	38	8.6	9.9	18.9	M8	Zn/Ni Plated	Die Cast Zinc



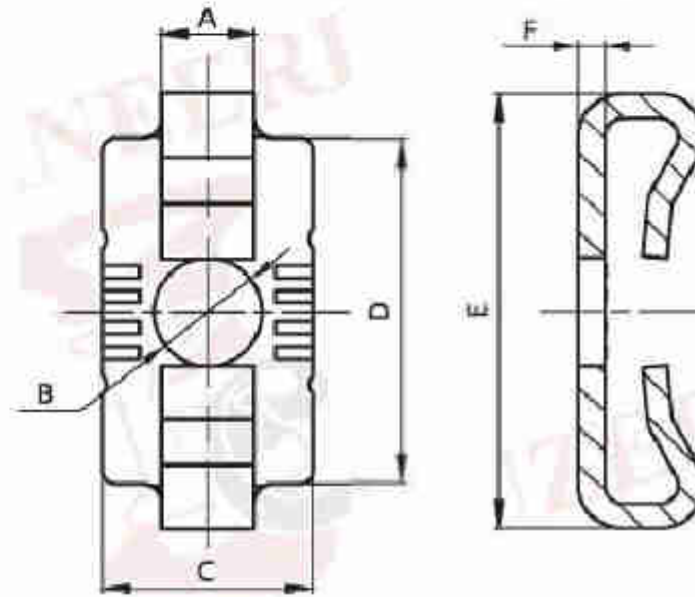
Slot Size	Part Number	A	B	C	D	E	F	Surface	Material
6	J54-IC-06	21	21	3	6	11	M5	Zn/Ni Plated	Die Cast Zinc
8	J54-IC-08	21	30	5.5	8	16	M6	Zn/Ni Plated	Die Cast Zinc
10	J54-IC-10	32	38	4	10	19	M8	Zn/Ni Plated	Die Cast Zinc



Slot Size	Part Number	A	B	C	D	E	F	G	Surface	Material
6	J55-IOC-06	5.8	11	4.5	21	21	3	M5	Zn/Ni Plated	Die Cast Zinc
8	J55-IOC-08	7.8	15.7	7.8	30	21	5.5	M6	Zn/Ni Plated	Die Cast Zinc
10	J55-IOC-10	9.8	19	8.7	38	32	3.8	M8	Zn/Ni Plated	Die Cast Zinc

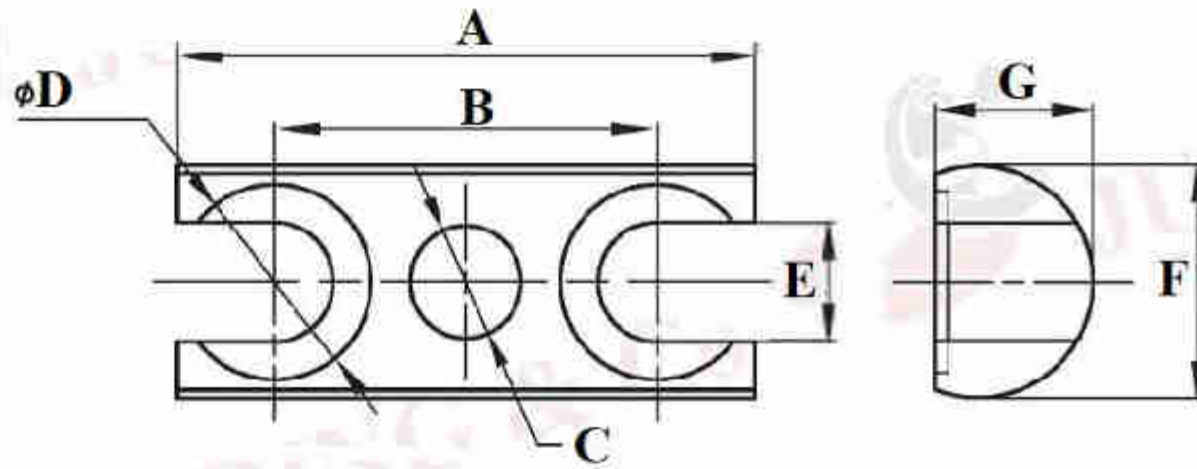


**SCREW CONNECTORS**

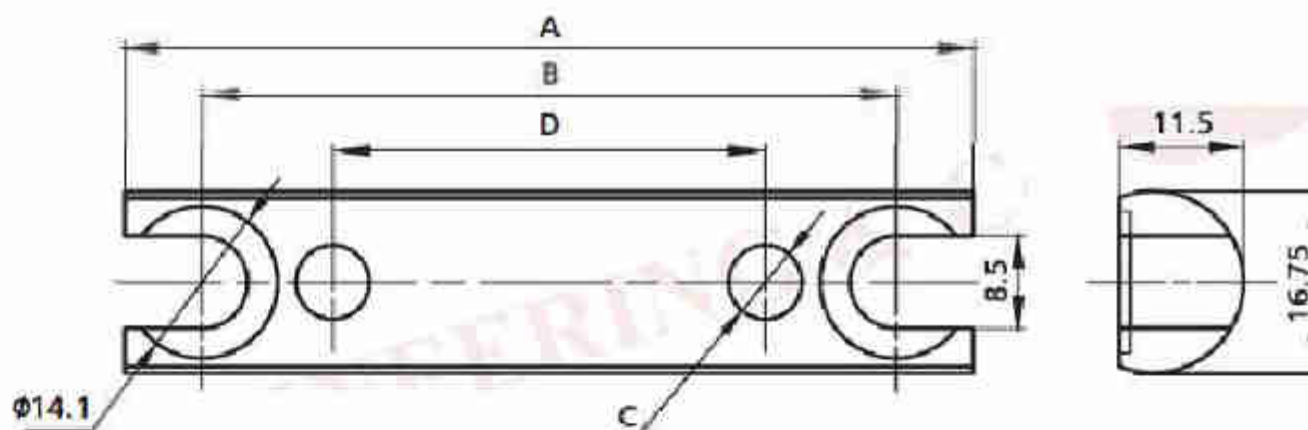


Slot Size	Part Number	A	B	C	D	E	F	Surface	Material
6	J56-SC-06	5.9	Φ6.5	13	21	28.7	2	Zinc Plated	Carbon Steel
8	J56-SC-08	7.7	Φ8.7	17	27.7	35	2	Zinc Plated	Carbon Steel
10	J56-SC-10	10	Φ11	21	27	45.5	2.5	Zinc Plated	Carbon Steel

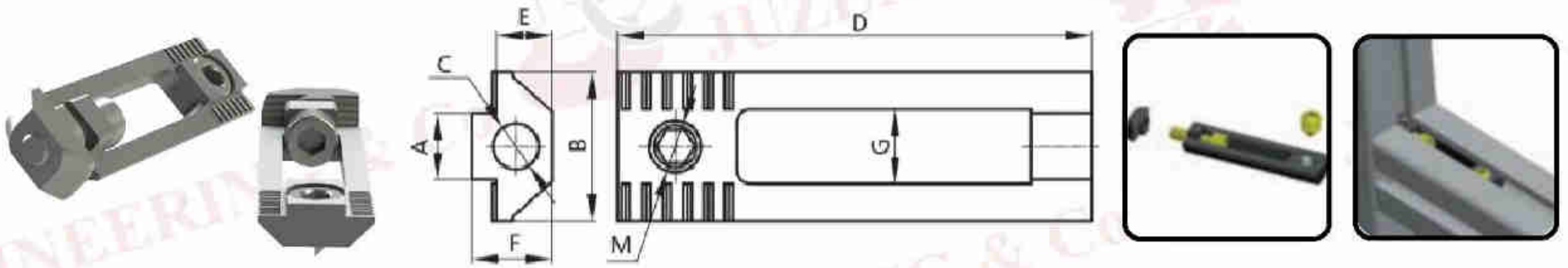
**BOLT CONNECTORS**



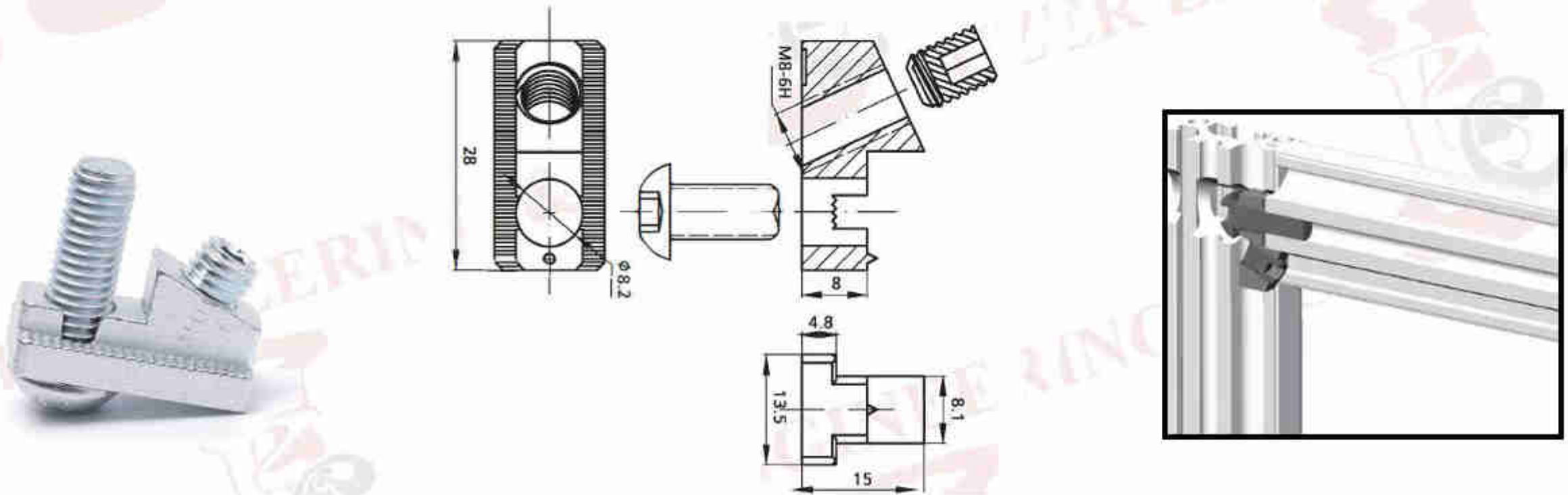
Profile Size	Part Number	A	B	C	D	E	F	G	Surface	Material
30x30	J57-BC-3030	28	18	Φ4	Φ10.2	5.2	10.5	7	Zinc Plated	Carbon Steel
40x40	J57-BC-4040	37	24	Φ8	Φ14.3	8.5	17	11.5	Zinc Plated	Carbon Steel
45x45	J57-BC-4545	42	28	Φ8	Φ14.3	8.5	17	11.5	Zinc Plated	Carbon Steel
60x60	J57-BC-6060	57	43	Φ8	Φ14.3	8.5	17	11.5	Zinc Plated	Carbon Steel



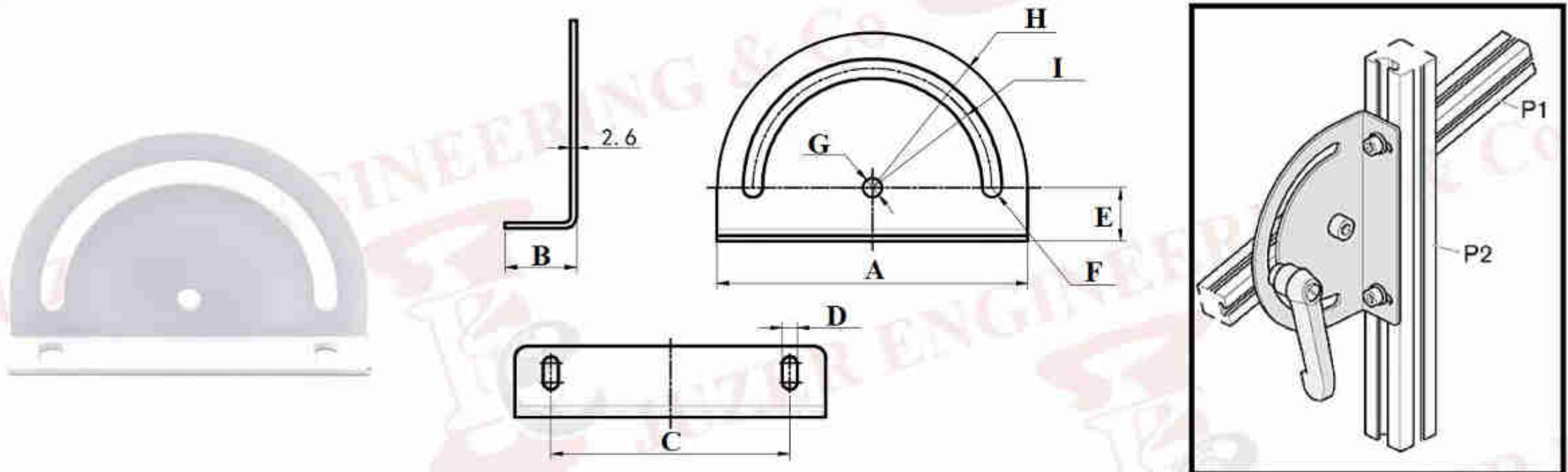
Profile Size	Part Number	A	B	C	D	Surface	Material
80x80	J57-BC-8080	78.5	64	Φ8	40	Zinc Plated	Carbon Steel
90x90	J57-BC-9090	87	73	Φ8	45	Zinc Plated	Carbon Steel



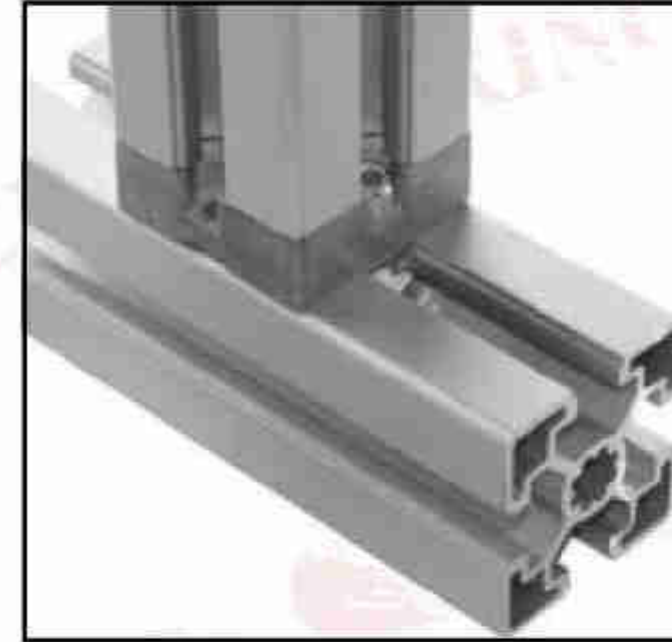
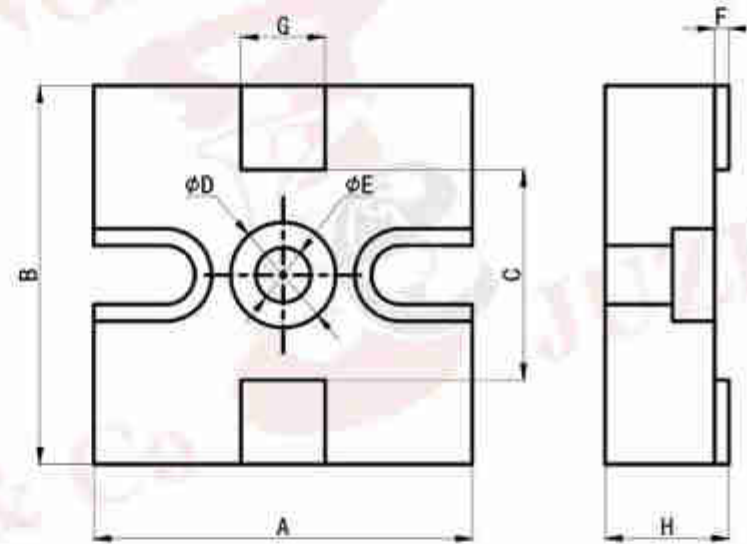
Slot Size	Part Number	B	C	D	E	F	G	M	Surface	Material
8	J101-SIC-08	16	Φ5.2	57	5.8	7.5	9	M6	Zinc Plated	Carbon Steel
10	J101-SIC-10	19.5	Φ6.2	58.5	5	10	10.5	M8	Zinc Plated	Carbon Steel



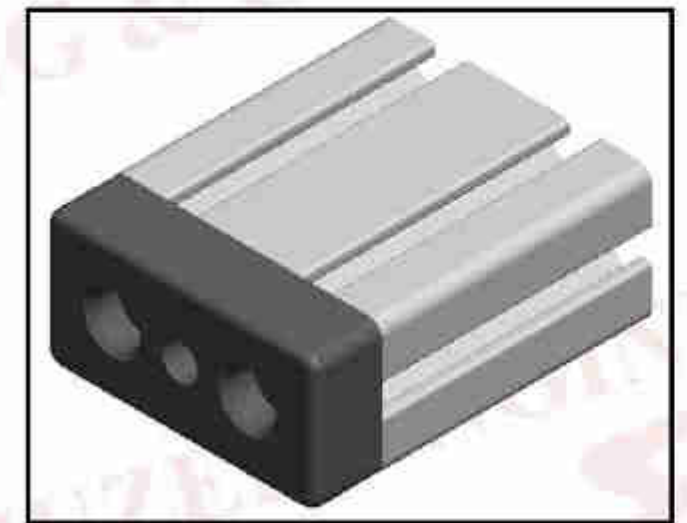
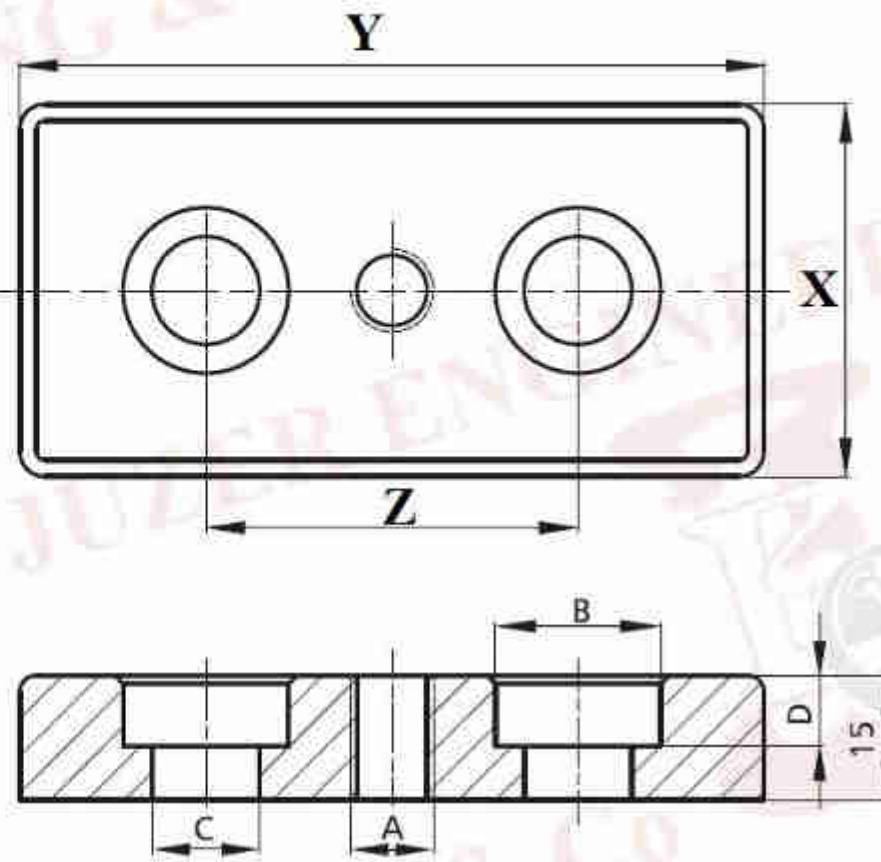
Slot Size (mm)	Part Number	Surface	Material
8	J58-HC-08	Zinc Plated	Carbon Steel



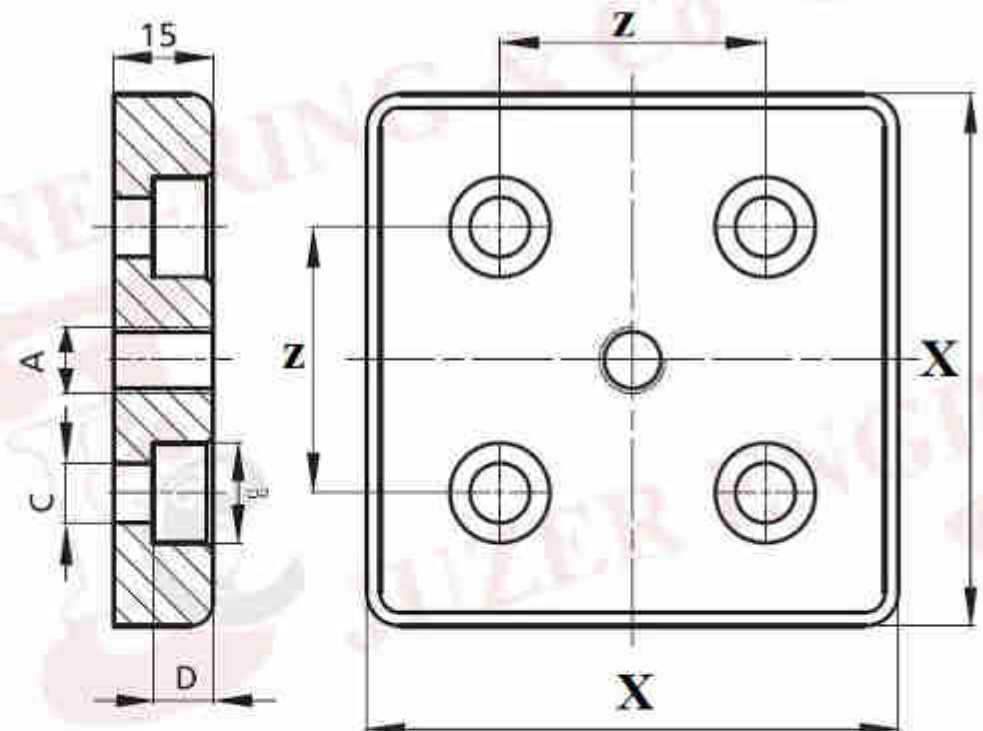
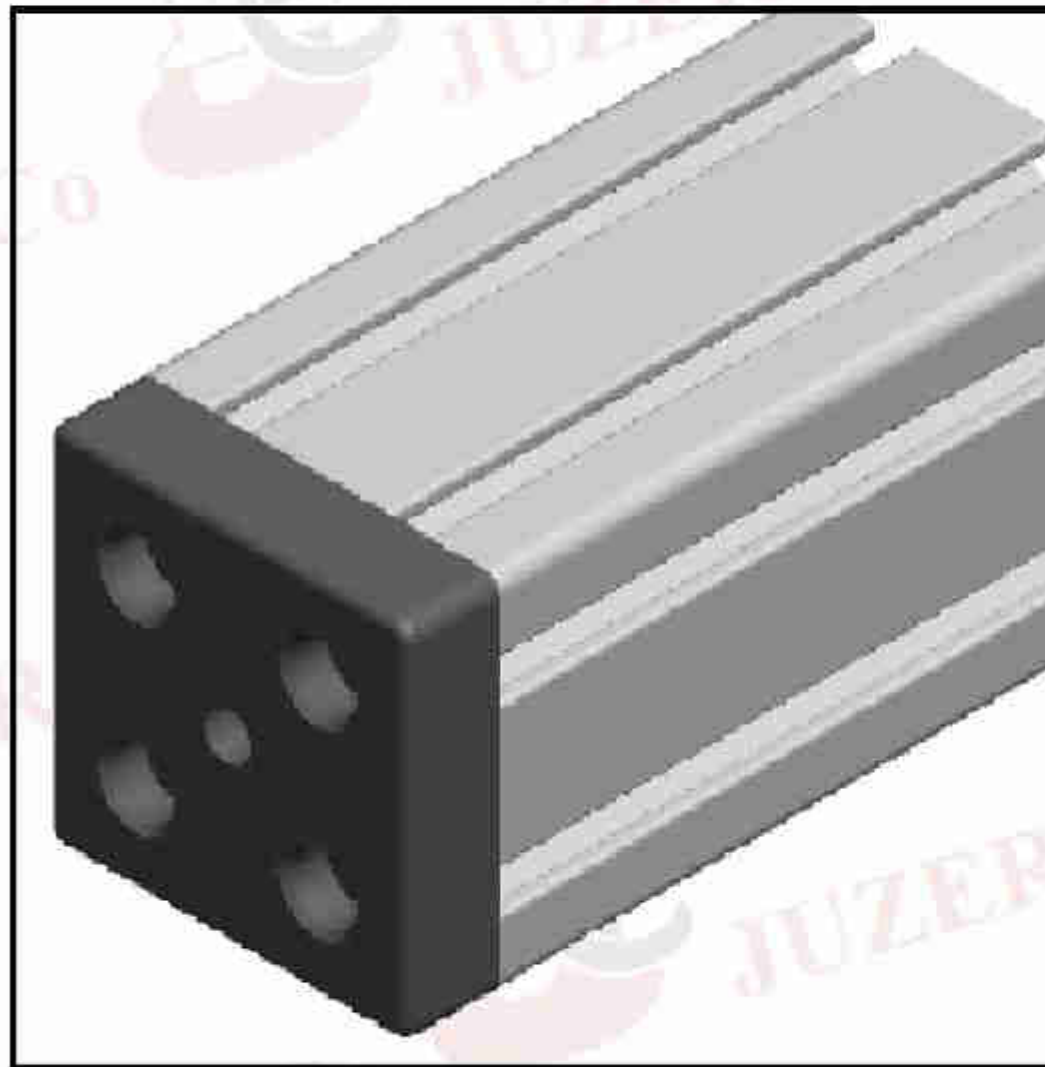
Slot Size	Part Number	A	B	C	D	E	F	G	H	I	Surface	Material
8	J59-SP-08	110	23.5	79.5	6.2	10.5	Φ6.2	Φ6.2	R55	R40	Zn Plated	Carbon Steel
10	J59-SP-10	130	30	100	8.2	22.5	Φ8.2	Φ8.2	R65	R50	Zn Plated	Carbon Steel



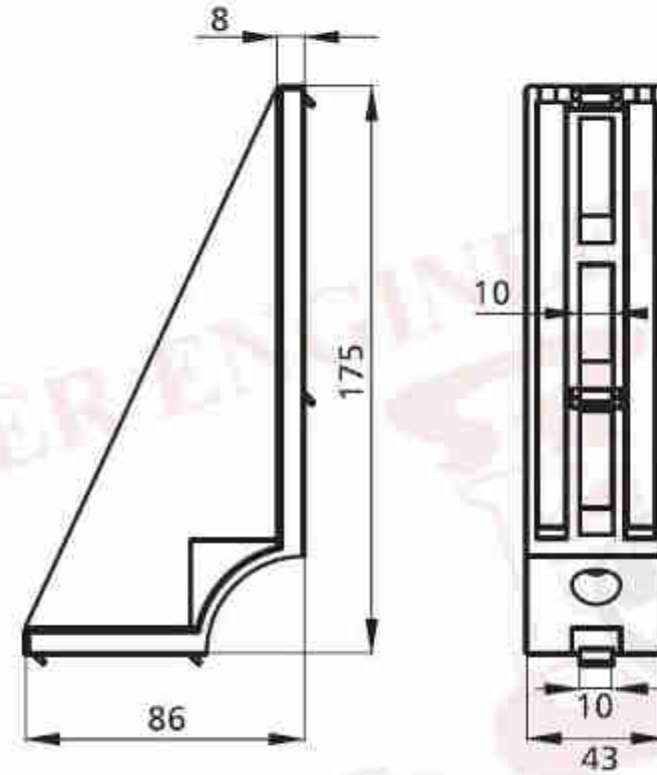
Size	Part Number	A	B	C	D	E	F	G	H	Surface	Material
30x30	J60-EC-3030	30	30	15	14	9.3	2	8	13	Sand Blast	Die cast Aluminum
40x40	J60-EC-4040	40	40	24	20	12.5	2	10	13	Sand Blast	Die cast Aluminum
45x45	J60-EC-4545	45	45	25	20	12.5	2	10	13	Sand Blast	Die cast Aluminum



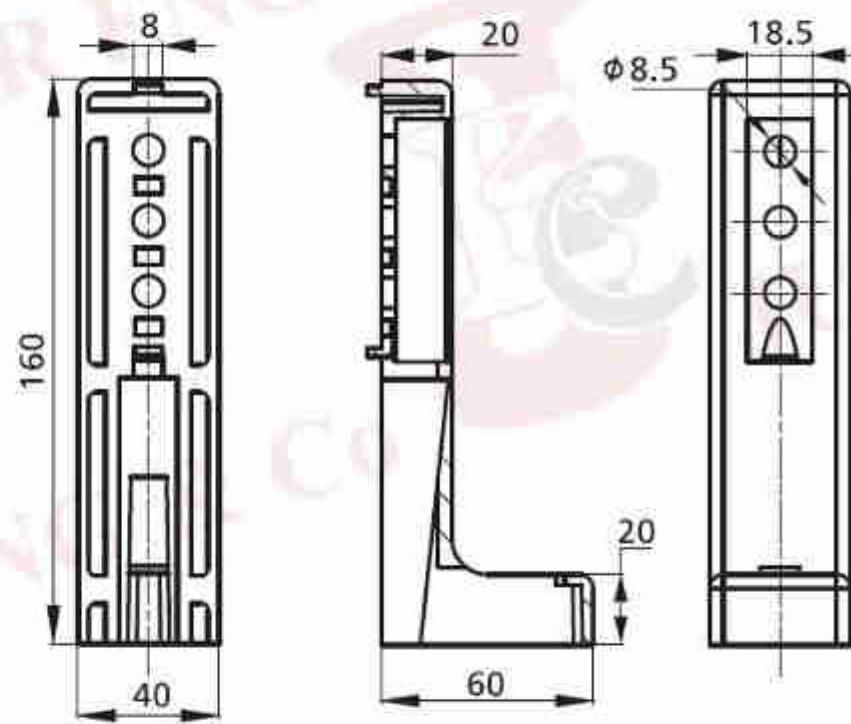
Size	Part Number	X	Y	Z	A	B	C	D	Surface	Material
20x40	J61-BP-2040-M6	20	40	20	M6	Φ11.5	Φ6.5	7	Sand Blast	Die Cast Aluminum
30x60	J61-BP-3060-M8	30	60	30	M8	Φ15.5	Φ9.0	9	Sand Blast	Die Cast Aluminum
40x80	J61-BP-4080-M12	40	80	40	M12	Φ20.0	Φ13	9	Sand Blast	Die Cast Aluminum
45x90	J61-BP-4590-M12	45	90	45	M12	Φ20.0	Φ13	9	Sand Blast	Die Cast Aluminum



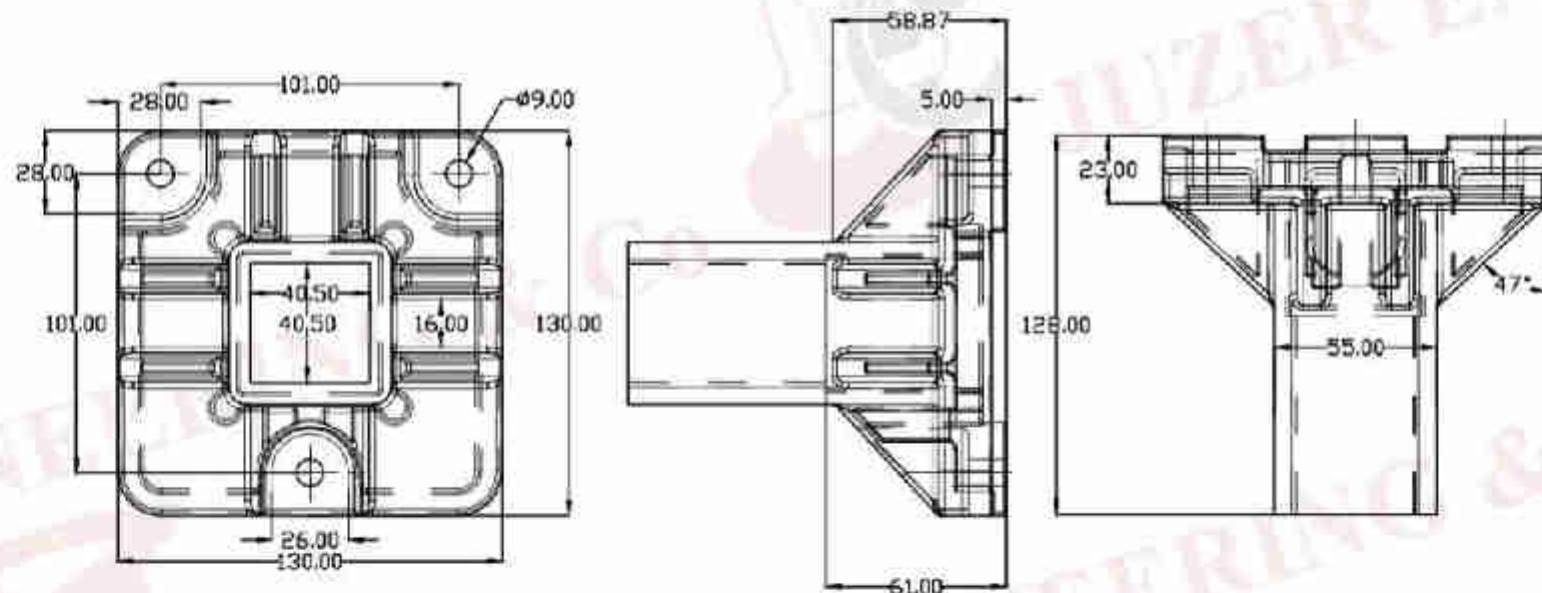
Size	Part Number	X	Z	A	B	C	D	Surface	Material
20x20	J61-BP-2020-M6	20	10	M6	Φ11.5	Φ6.5	7	Sand Blast	Die Cast Aluminum
30x30	J61-BP-3030-M8	30	15	M8	Φ15.5	Φ9.0	9	Sand Blast	Die Cast Aluminum
40x40	J61-BP-4040-M12	40	20	M12	Φ20.0	Φ13	9	Sand Blast	Die Cast Aluminum
45x45	J61-BP-4545-M12	45	22.5	M12	Φ20.0	Φ13	9	Sand Blast	Die Cast Aluminum
60x60	J61-BP-6060-M12	60	30	M12	Φ20.0	Φ13	9	Sand Blast	Die Cast Aluminum
80x80	J61-BP-8080-M12	80	40	M12	Φ20.0	Φ13	9	Sand Blast	Die Cast Aluminum
90x90	J61-BP-9090-M12	90	45	M12	Φ20.0	Φ13	9	Sand Blast	Die Cast Aluminum



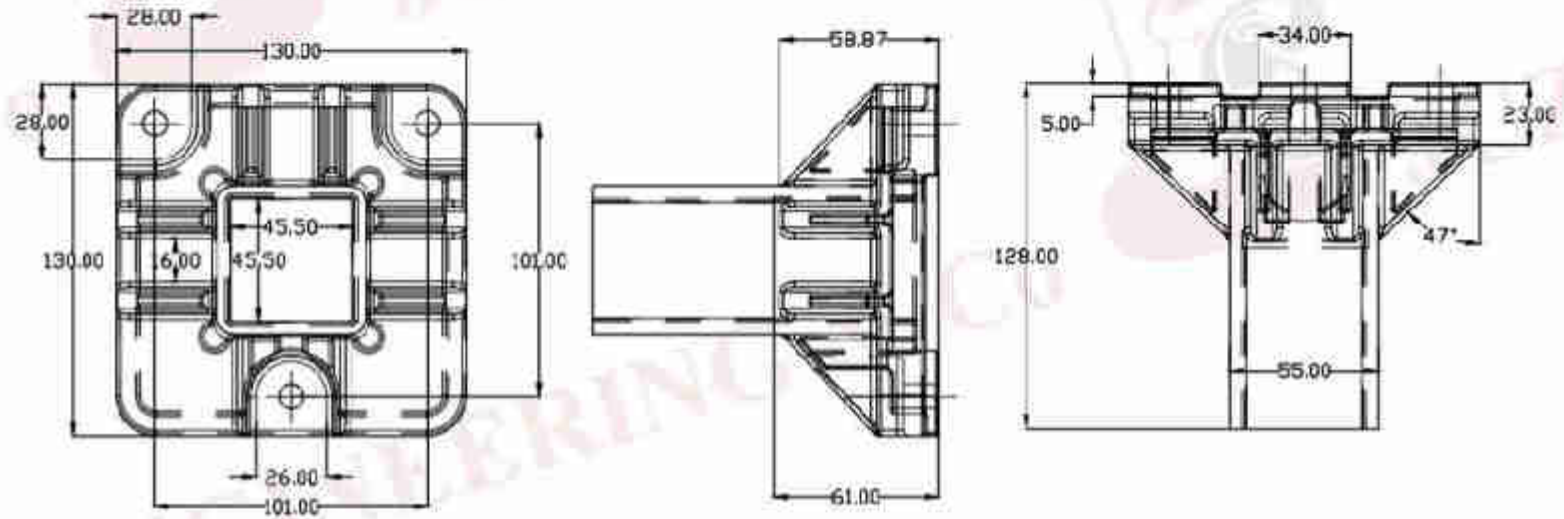
Slot Size	Part Number	Size (mm)	Surface	Material
10	J62-FM01	43x86x175	Sand Blast	Die Cast Aluminum



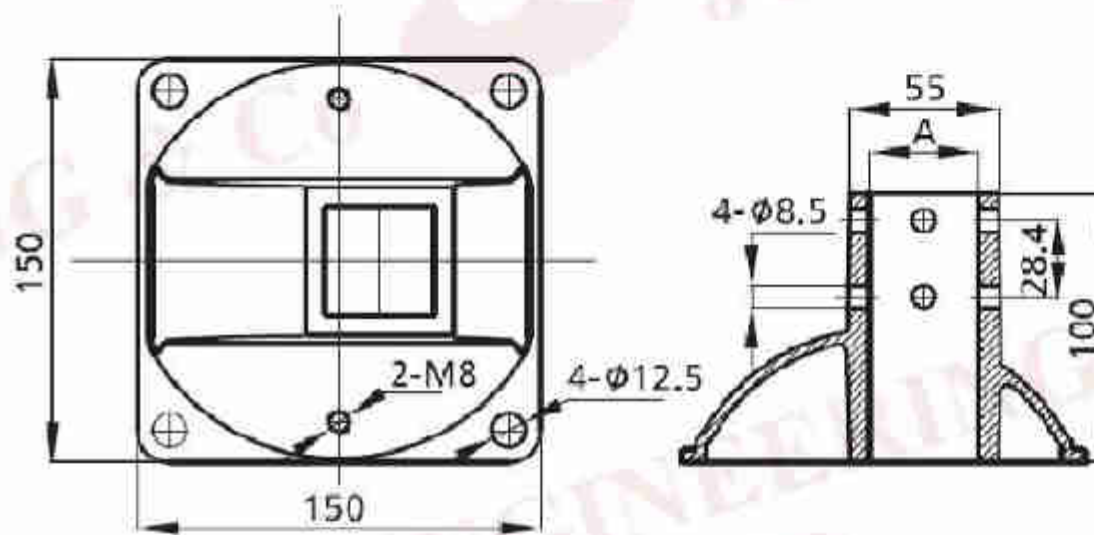
Size (mm)	Part Number	Surface	Material
40x60x160	J62-FM02	Black Powder Coated	Die Cast Aluminum



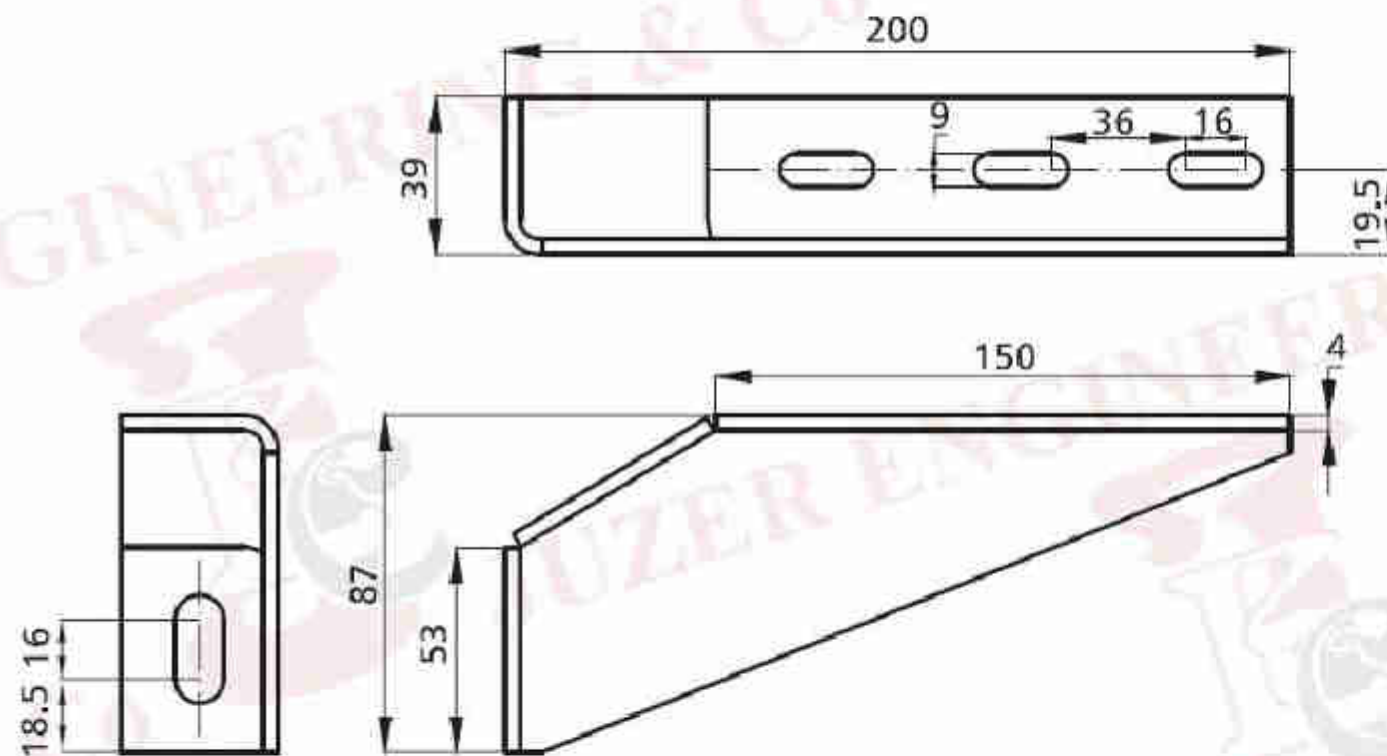
For Profile	Part Number	Surface	Material
40x40	J62-FM03-4040	Powder Coated	Die Cast Aluminum



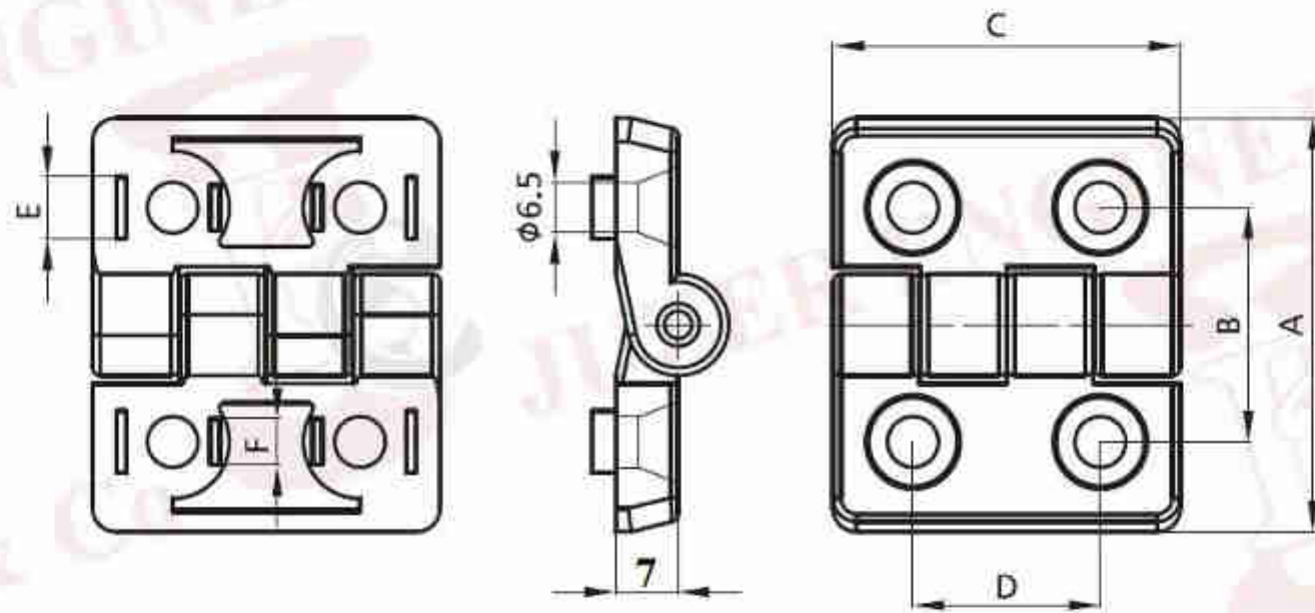
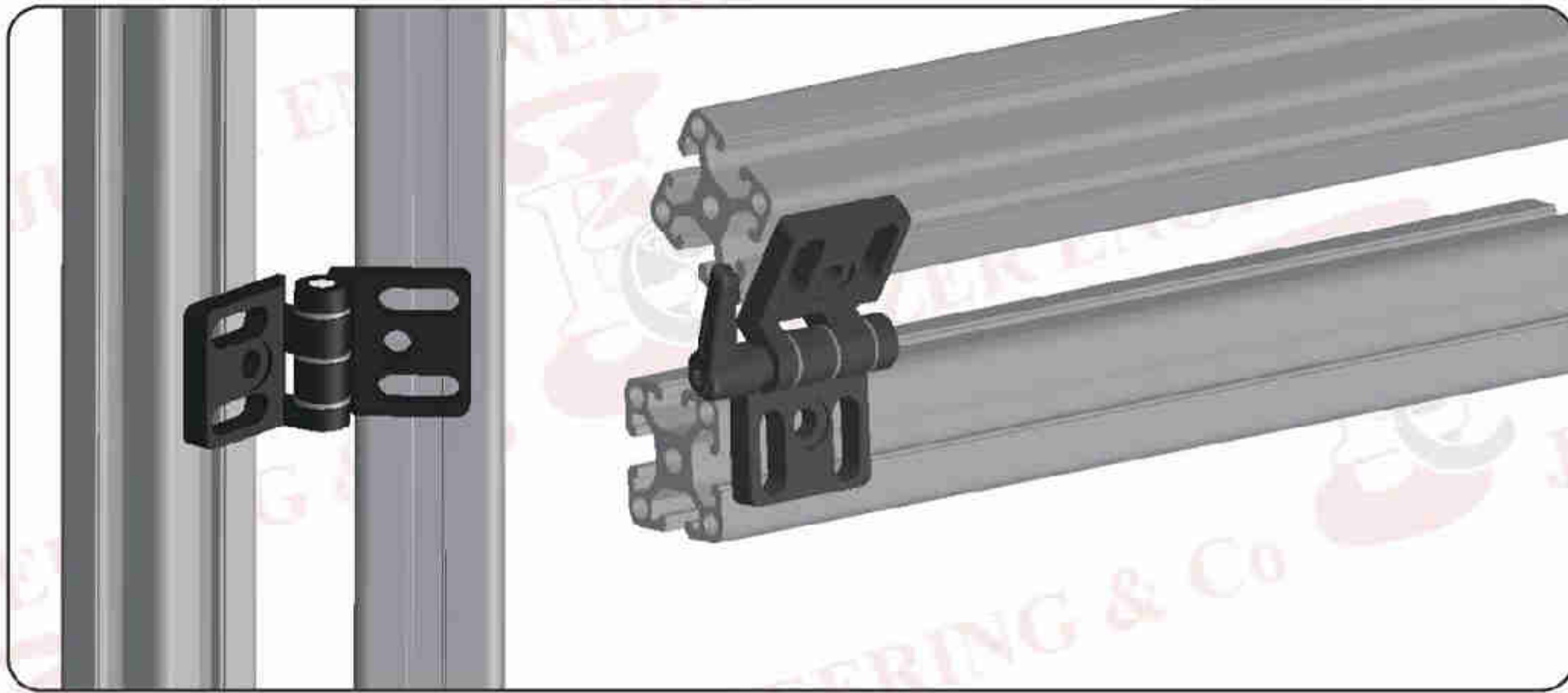
For Profile	Part Number	Surface	Material
45x45	J62-FM03-4545	Powder Coated	Die Cast Aluminum



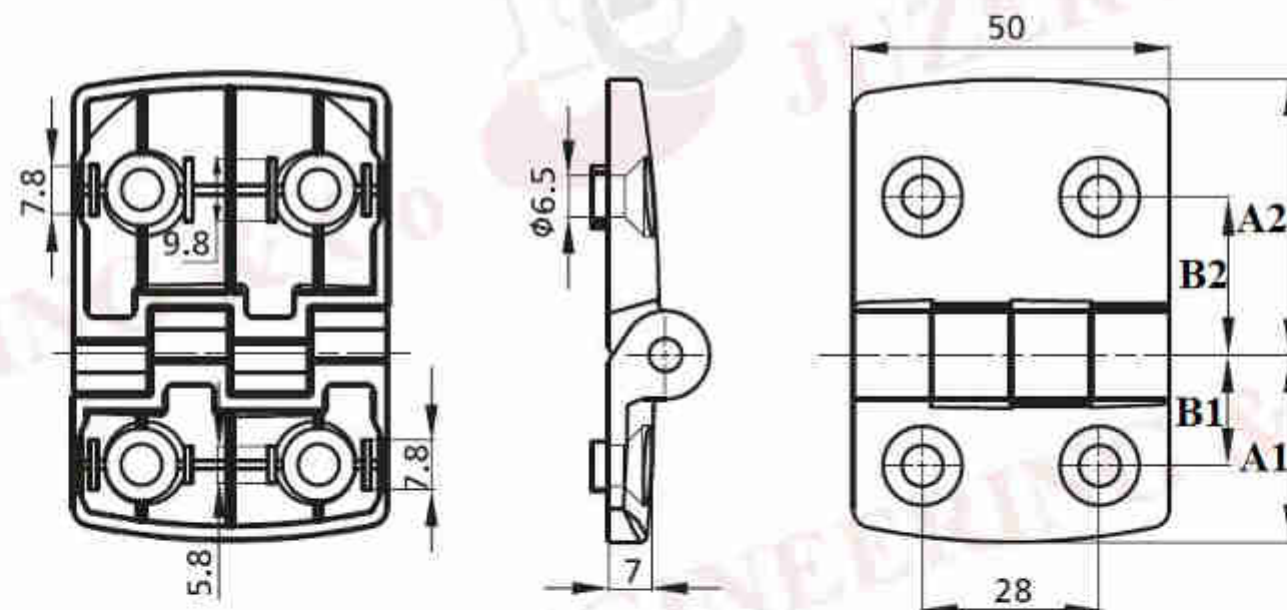
For Profile	Part Number	A	Surface	Material
40x40	J62-FM04-4040	40	Black Powder Coated	Die Cast Aluminum
45x45	J62-FM04-4545	45	Black Powder Coated	Die Cast Aluminum



Size (mm)	Part Number	Surface	Material
39x87x200	J62-FM05	Zinc Plated	Carbon Steel



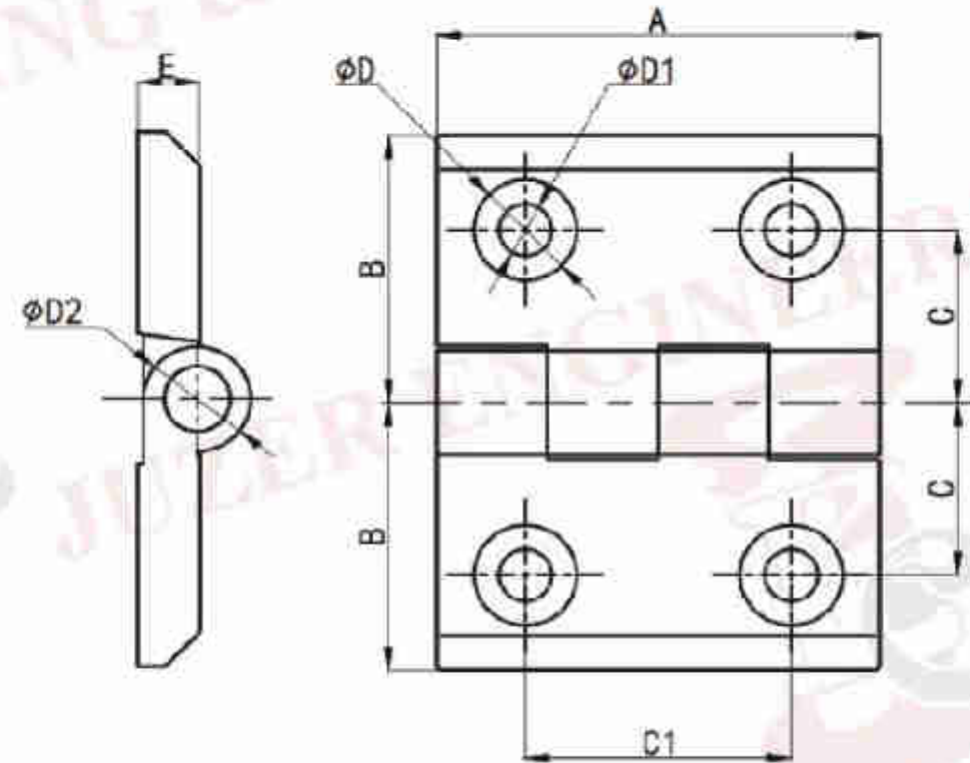
Size	Slot Size	Part Number	A	B	C	D	E	F	Surface	Material
20x20	6	J63-HNY-2020	39	20	30	14	5.9	4.9	Black Nylon	Nylon
30x30	8	J63-HNY-3030	53	30	45	24	7.9	5.9	Black Nylon	Nylon
40x40	10	J63-HNY-4040	62	40	50	30	9.9	8.9	Black Nylon	Nylon
45x45	10	J63-HNY-4545	71	45	50	30	9.9	8.9	Black Nylon	Nylon



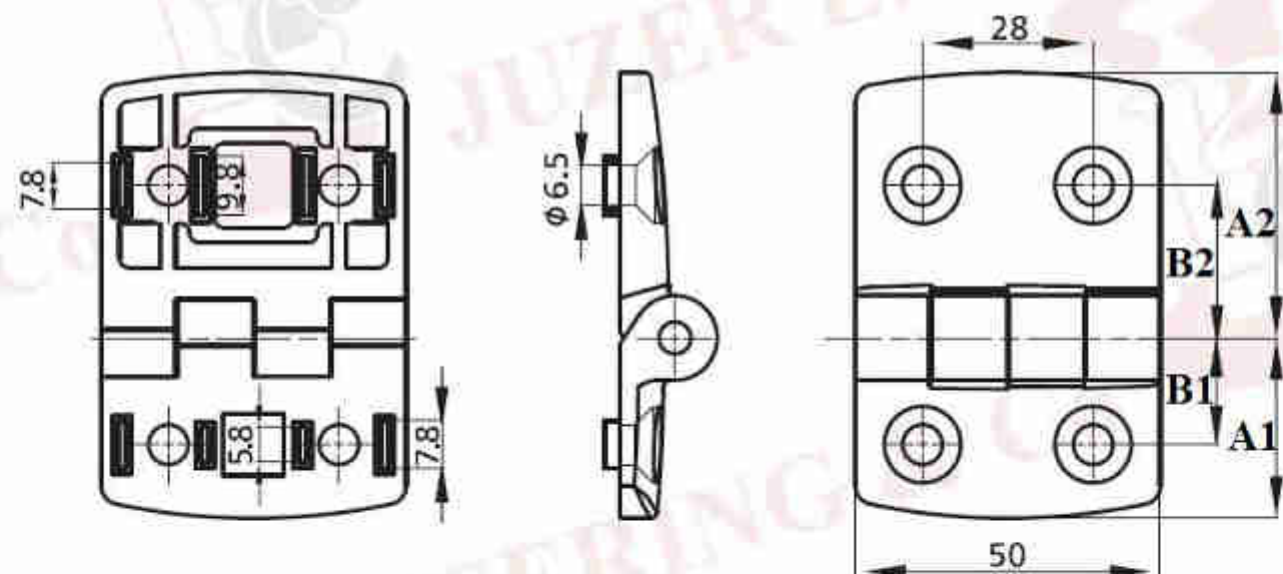
Size	Slot Size	Part Number	A1	A2	B1	B2	Surface	Material
30x40	8+10	J63-HNY-3040	29.5	43.5	17.5	25	Black Nylon	Nylon
30x45	8+10	J63-HNY-3045	29.5	38.5	17.5	23.5	Black Nylon	Nylon



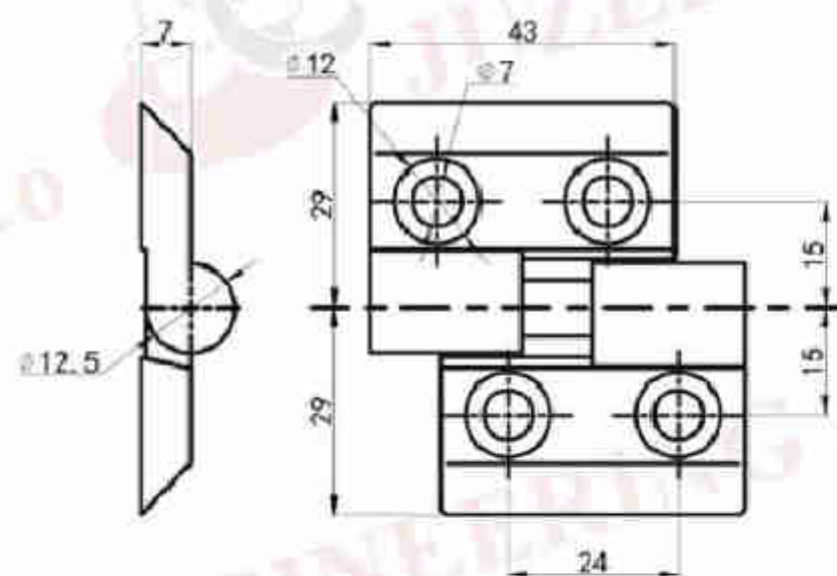




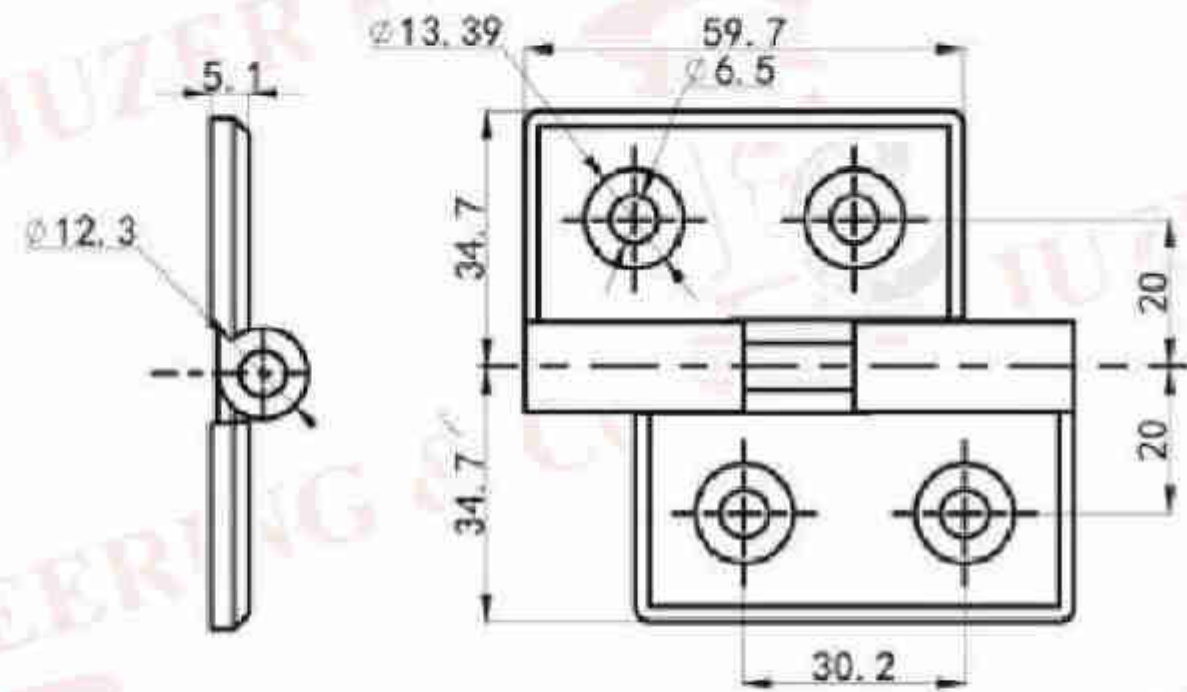
Size	Part Number	A	B	C	C1	D	D1	D2	E	Surface	Material
20x20	J66-HZN-2020	30	19	10	14	9	5.5	8	4.5	Aluminum Coated	Die Cast Zinc
30x30	J66-HZN-3030	50	25	15	30	12	6	12	7	Aluminum Coated	Die Cast Zinc
40x40	J66-HZN-4040	50	31	20	30	12	6	12	7	Aluminum Coated	Die Cast Zinc
45x45	J66-HZN-4545	50	34	23	30	12	6.5	12	7	Aluminum Coated	Die Cast Zinc



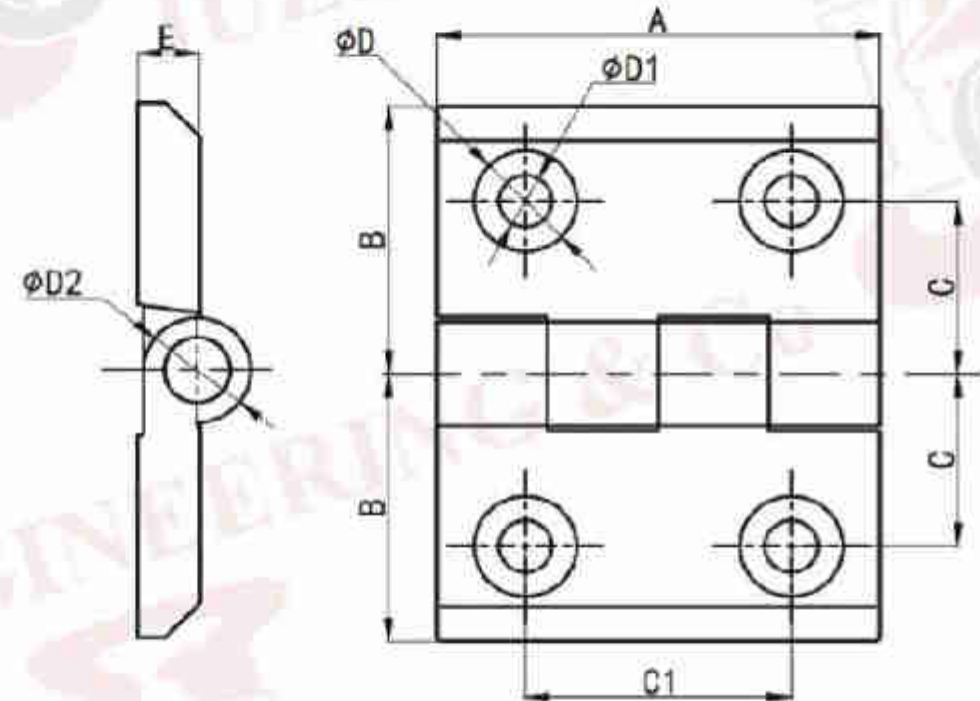
Size	Slot	Part Number	A1	A2	B1	B2	Surface	Material
30x40	8+10	J66-HZN-3040	29.5	38.5	17.5	23.5	Aluminum Coated	Die Cast Zinc
30x45	8+10	J66-HZN-3045	29.5	43.5	17.5	25	Aluminum Coated	Die Cast Zinc



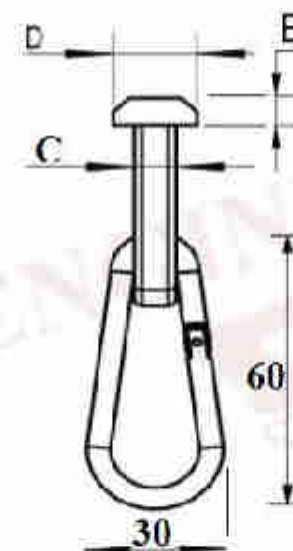
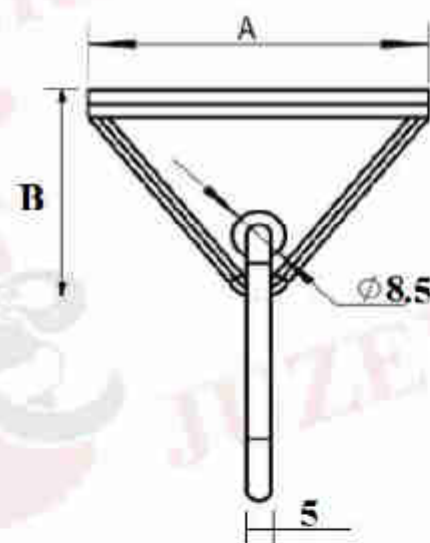
Size	Description	Part Number	Surface	Material
30x30	Left Side Lift-Off	J67-HZN-3030L	Aluminum Coated	Die Cast Zinc
30x30	Right Side Lift-Off	J67-HZN-3030R	Aluminum Coated	Die Cast Zinc



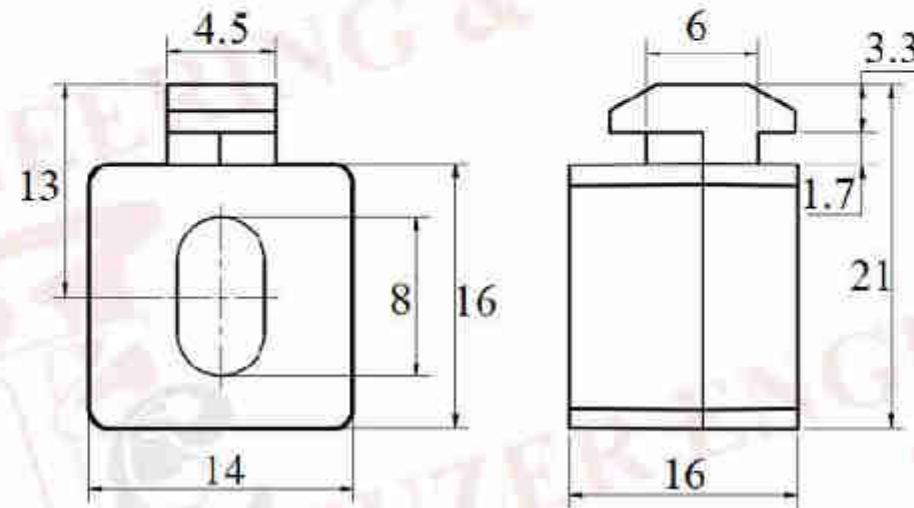
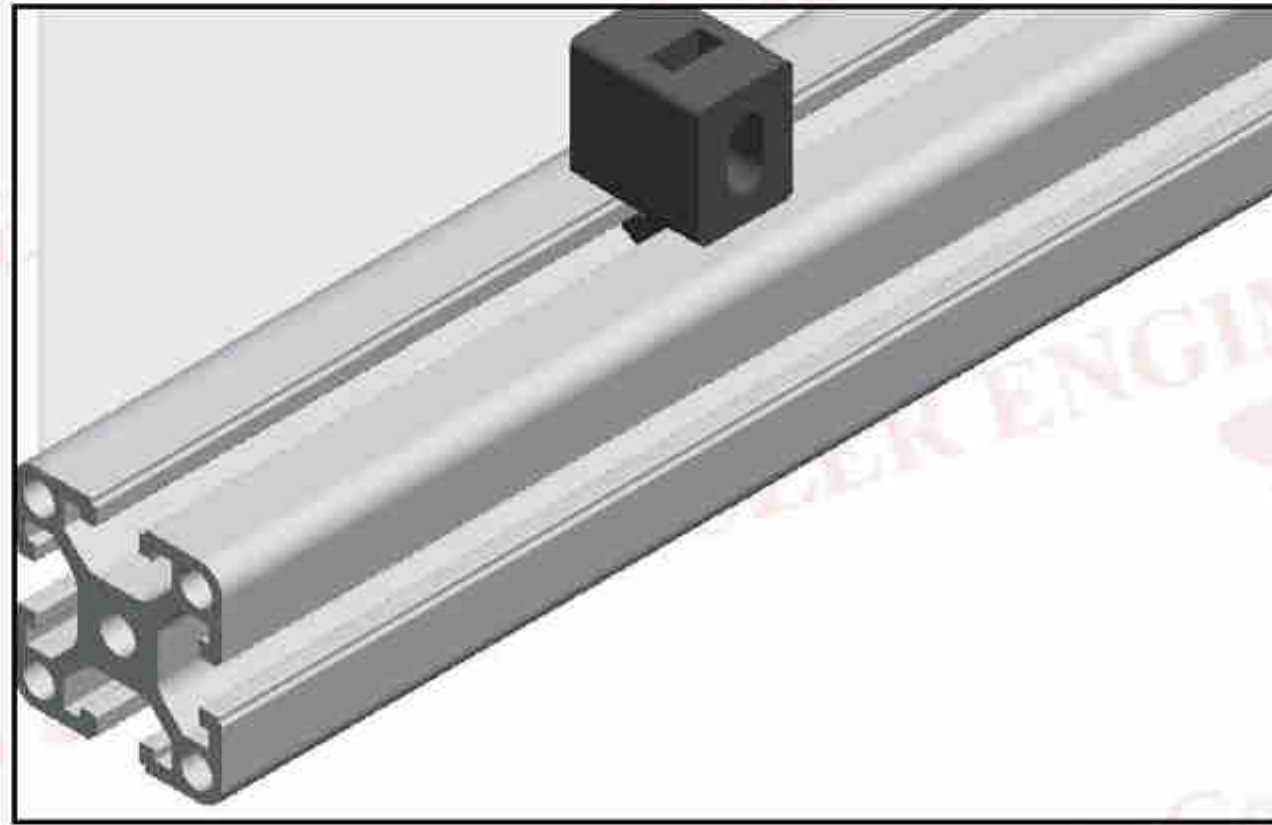
Size	Description	Part Number	Surface	Material
40x40	Left Side Lift-Off	J67-HZN-4040L	Aluminum Coated	Die Cast Zinc
40x40	Right Side Lift-Off	J67-HZN-4040R	Aluminum Coated	Die Cast Zinc



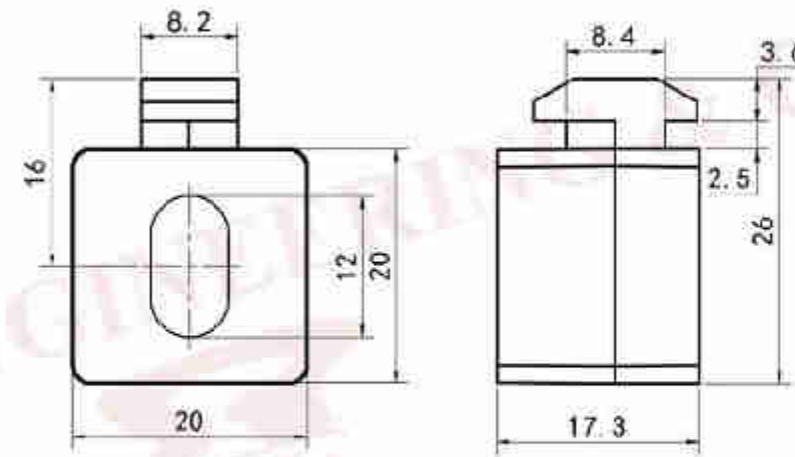
Size	Part Number	A	B	C	C1	D	D1	D2	E	Surface	Material
20x20	J102-HZN-2020	30	19	10	14	9	5.5	8	4.5	Black powder Coated	Die Cast Zn
30x30	J102-HZN-3030	50	25	15	30	12	6	12	7	Black powder Coated	Die Cast Zn
40x40	J102-HZN-4040	50	31	20	30	12	6	12	7	Black powder Coated	Die Cast Zn
45x45	J102-HZN-4545	50	34	23	30	12	6.5	12	7	Black powder Coated	Die Cast Zn



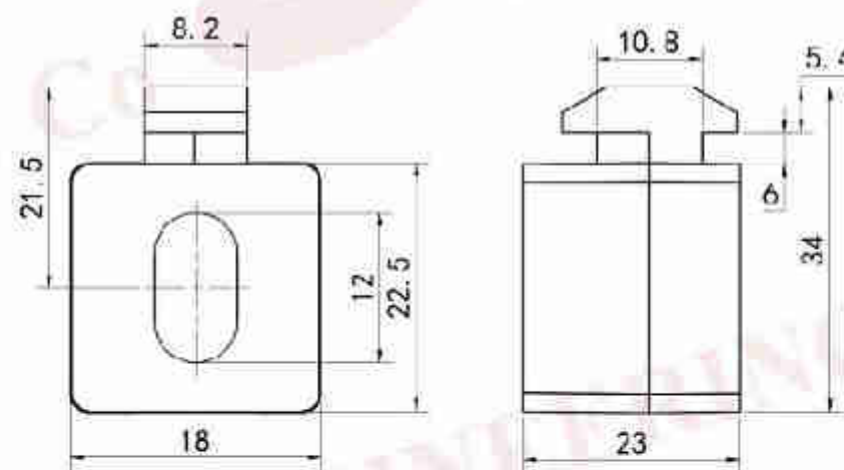
Slot Size	Part Number	A	B	C	D	E	Surface	Material
6	J68-TH-06	55	40	5.5	14	3.5	Black Nylon	Nylon
8	J68-TH-08	60	46	7.5	16	4	Black Nylon	Nylon
10	J68-TH-10	60	46	9.5	16	4.5	Black Nylon	Nylon



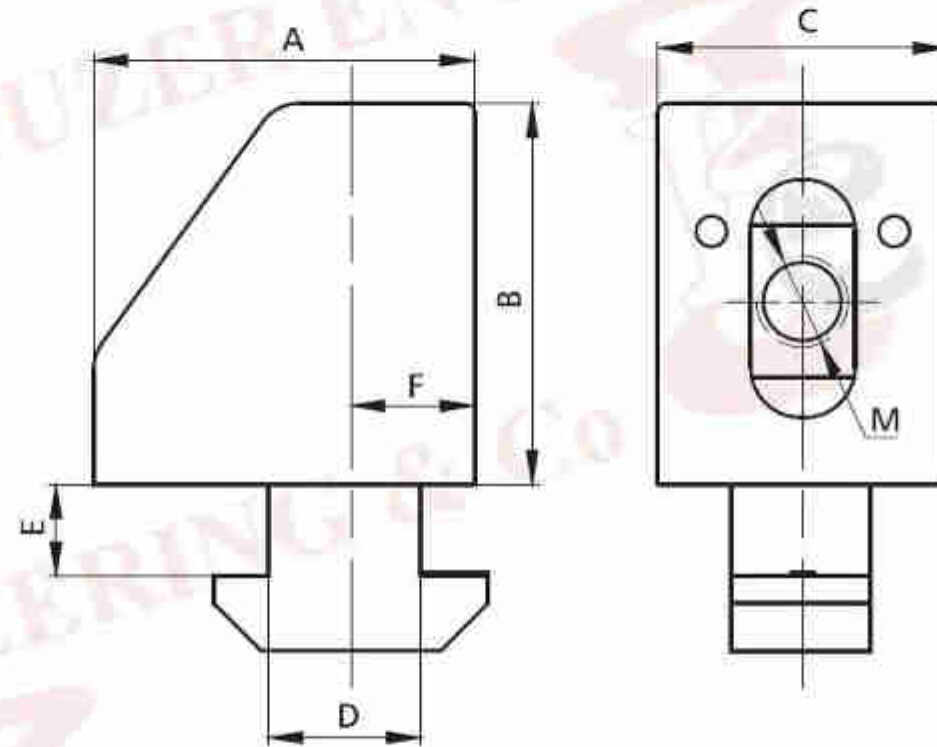
For Profile	Slot Size (mm)	Part Number	Finish	Material
20x20	6	J69-MBP-06	Transparent	Polyurethane



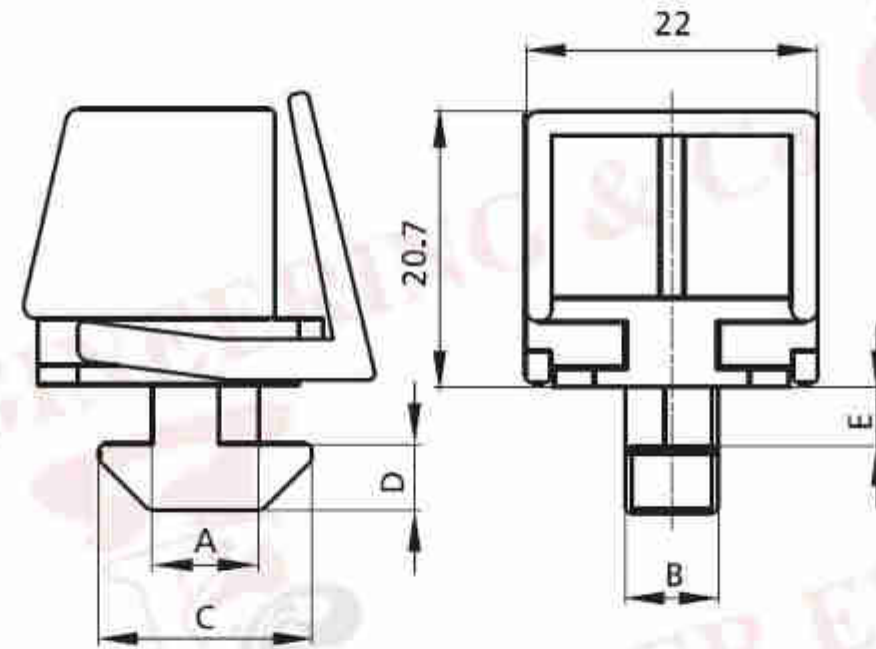
For Profile	Slot Size	Part Number	Finish	Material
30x30	8	J69-MBP-08	Transparent	Polyurethane



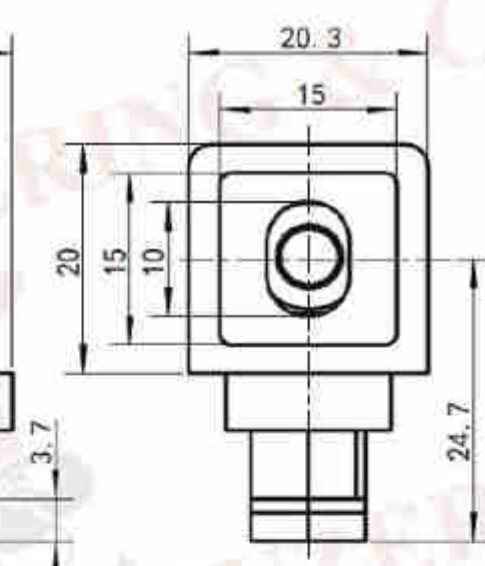
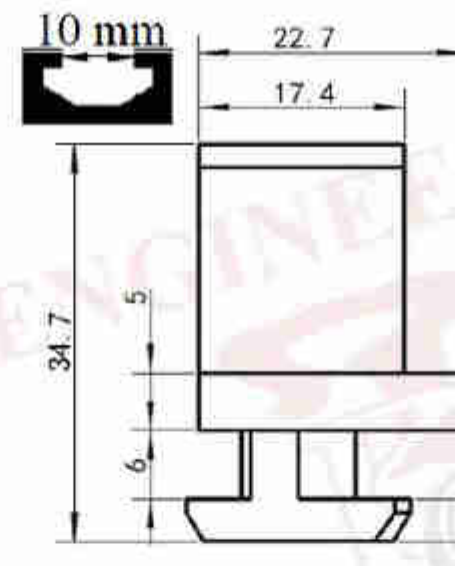
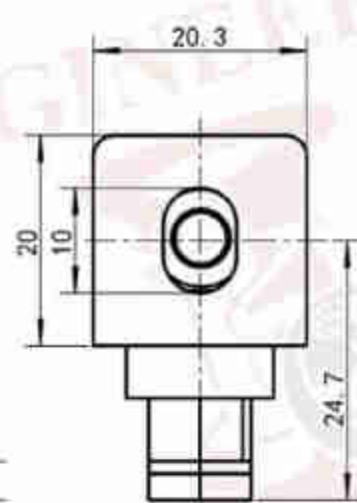
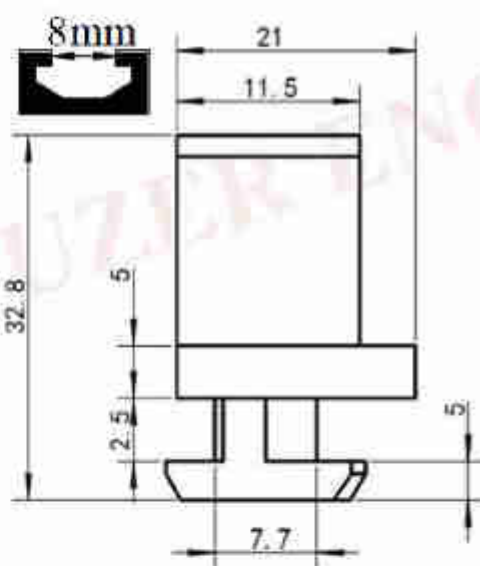
For Profile	Slot Size	Part Number	Finish	Material
40x40	10	J69-MBP-10	Transparent	Polyurethane
45x45				



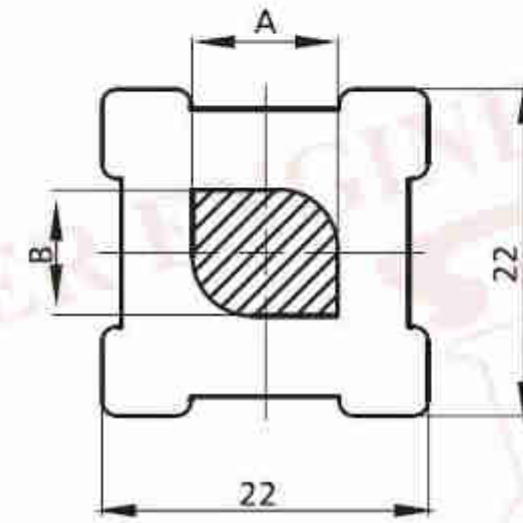
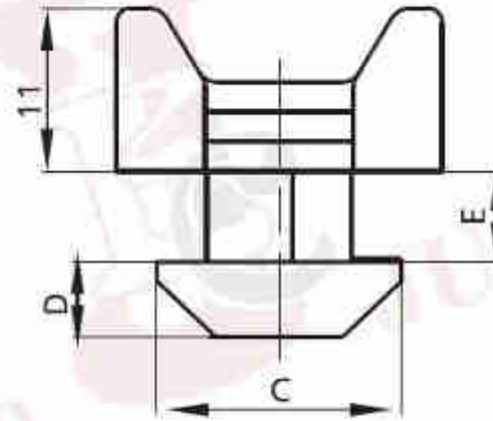
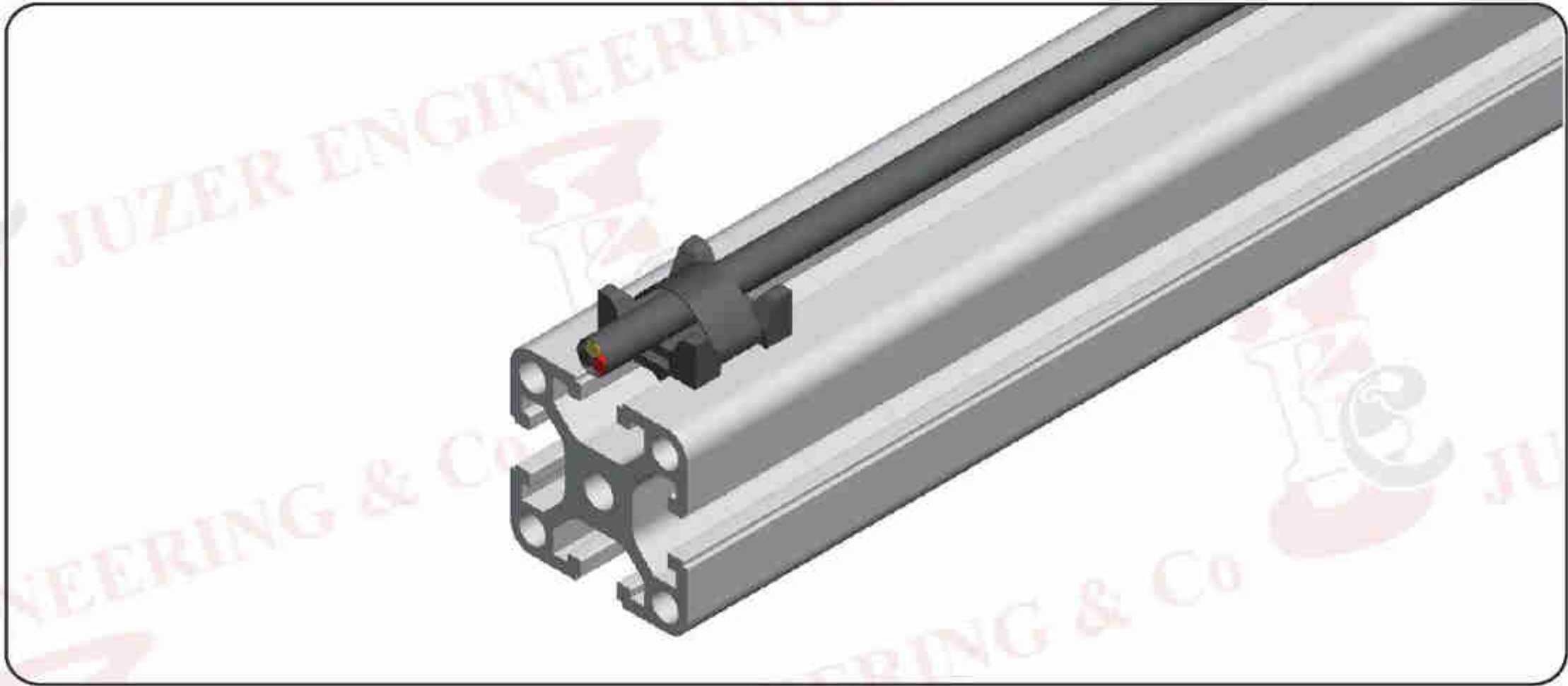
Slot Size	Part Number	A	B	C	D	E	F	M	Finish	Material
6	J70-MBN-06	14.2	15.8	12.7	6	1.5	4.5	M4	Black	Nylon
8	J70-MBN-08	25	25	19	8	4.6	12.5	M6	Black	Nylon
10	J70-MBN-10	25	25	19	10	6	8	M6	Black	Nylon



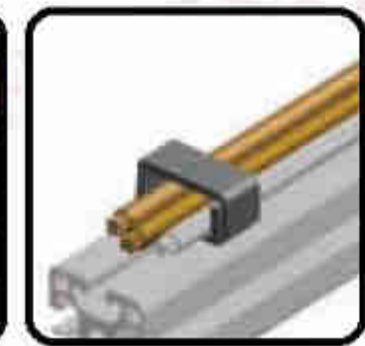
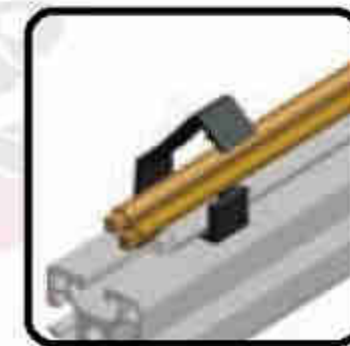
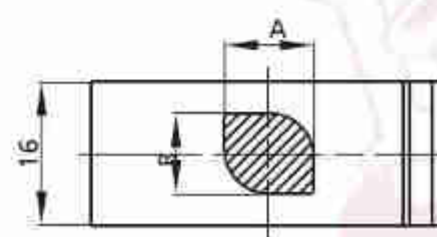
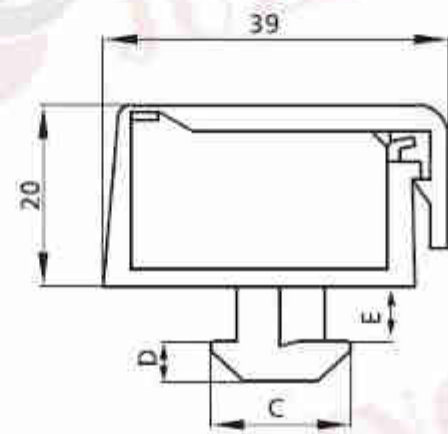
Slot Size	Part Number	A	B	C	D	E	Finish	Material
8	J71-MBN-08	9.8	8.5	16	5	6	Black	Nylon
10	J71-MBN-10	8	6.8	14	3	4.5	Black	Nylon



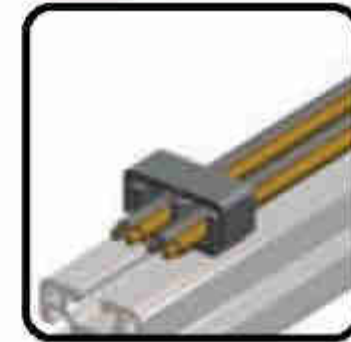
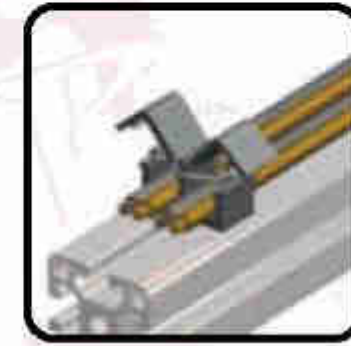
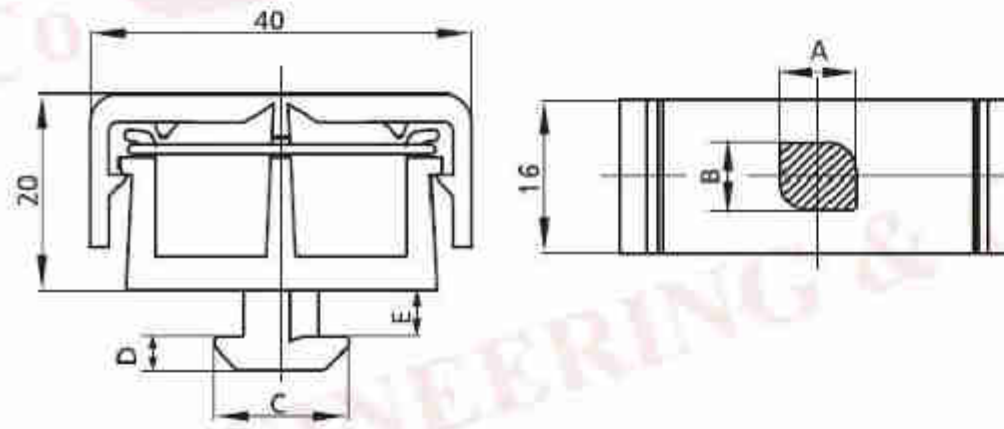
Slot Size (mm)	Part Number	Finish	Material
8	J72-MBN-08	Black	Nylon
10	J72-MBN-10	Black	Nylon



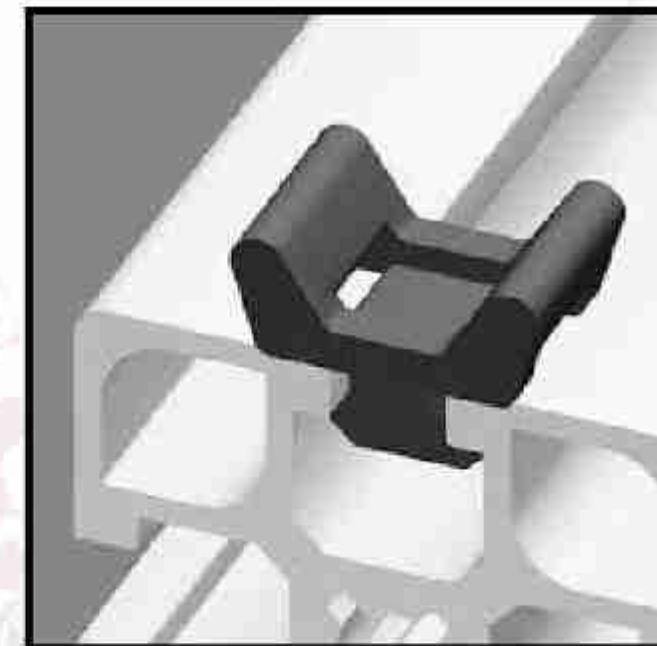
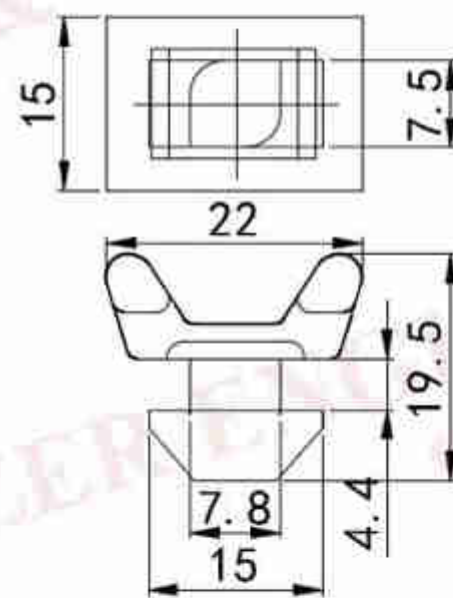
Slot Size (mm)	Part Number	A	B	C	D	E	Finish	Material
6	J73-CH-06	6.8	5.5	12	3.5	2.4	Black	Nylon
8	J73-CH-08	8	6.8	16	5	4.5	Black	Nylon
10	J73-CH-10	9.8	8.5	17	5	6	Black	Nylon



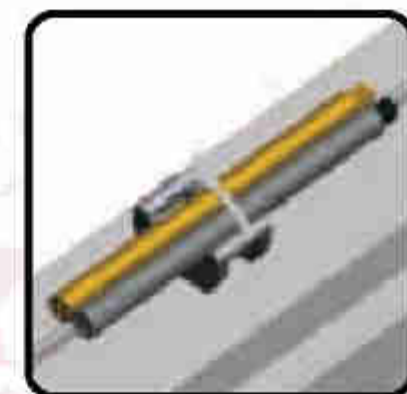
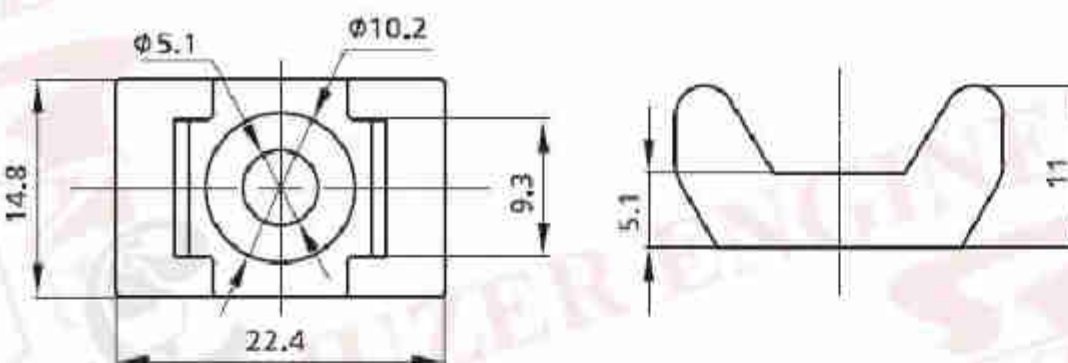
Slot Size (mm)	Part Number	A	B	C	D	E	Finish	Material
8	J74-CH-08	8	7	14	3	4.5	Black	Nylon
10	J74-CH-10	9	8.5	16	4.5	6	Black	Nylon



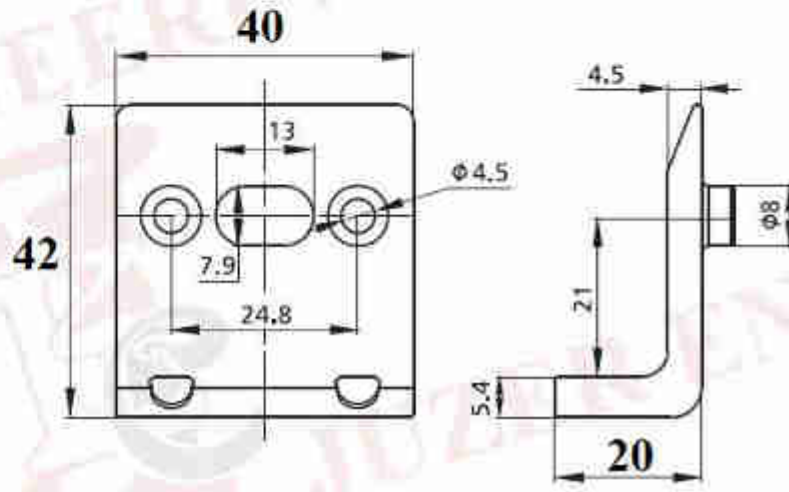
Slot Size (mm)	Part Number	A	B	C	D	E	Finish	Material
8	J75-CH-08	8	7	14	3	4.5	Black	Nylon
10	J75-CH-10	9	8.5	16	4.5	6	Black	Nylon



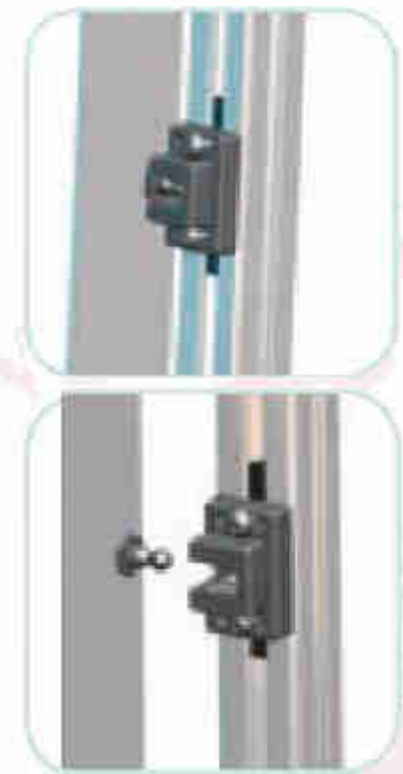
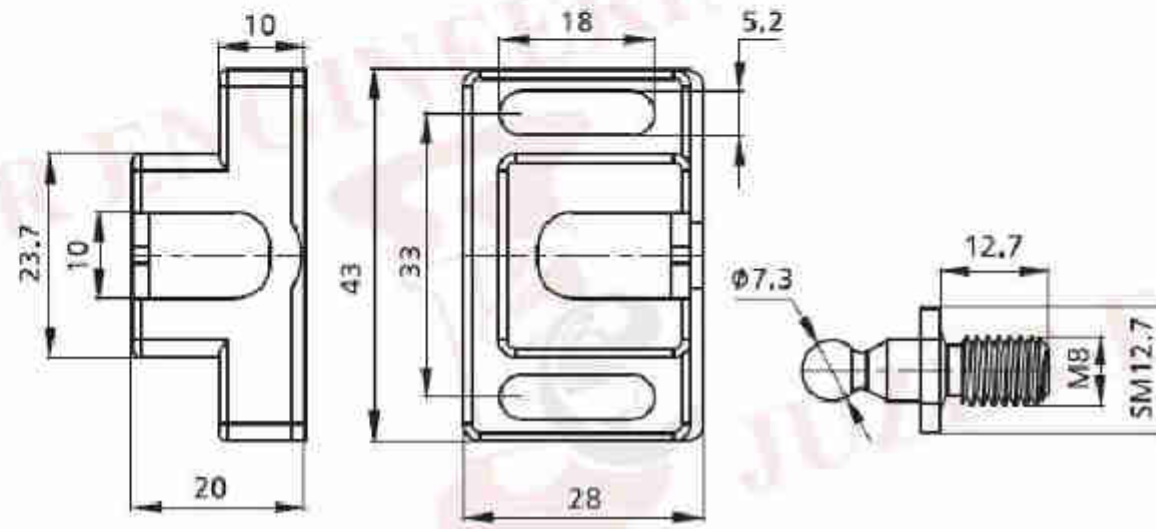
Slot Size (mm)	Part Number	Size (mm)	Finish	Material
8	J76-CH-08	22x15x19.5	Black	Nylon



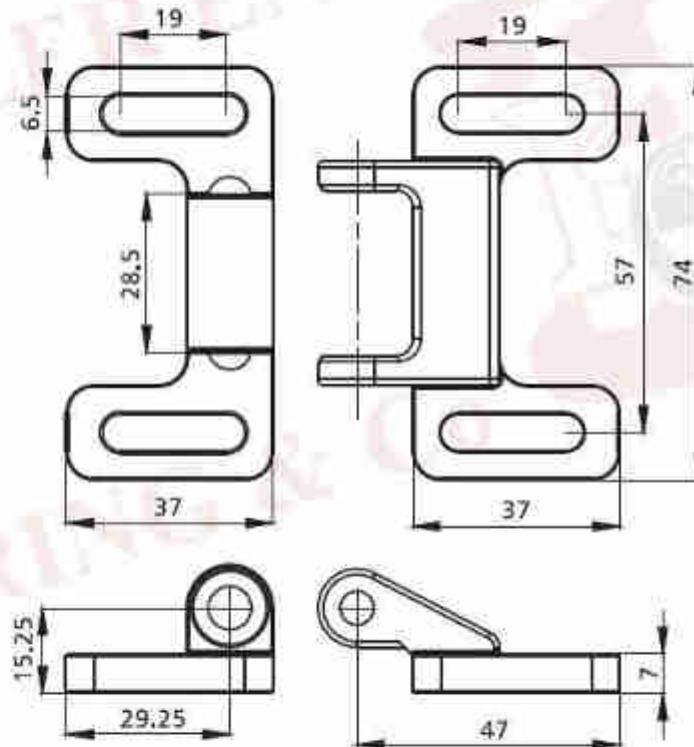
Hole Size	Part Number	Size (mm)	Finish	Material
M5	J77-CH	22x15x19.5	Black	Nylon



Size (mm)	Part Number	Finish	Material
42 x 40 x 20	J78-NDC	Black	Nylon

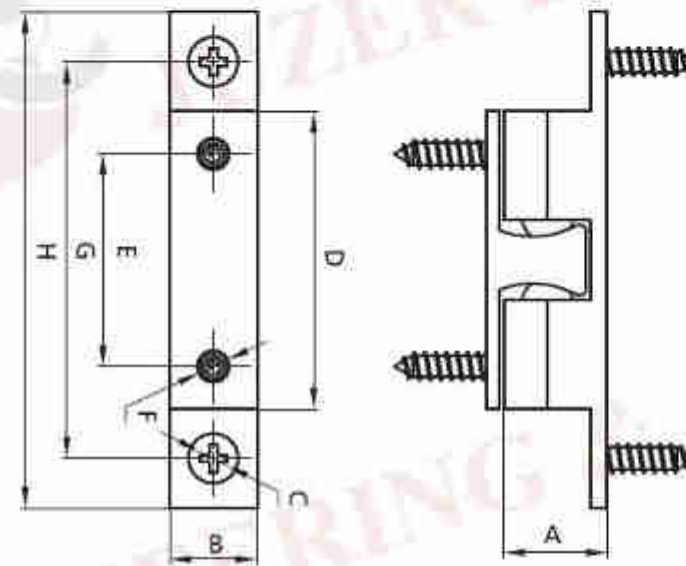


Size (mm)	Part Number	Finish	Material
43 x 28 x 20	J79-NBC	Black	Nylon

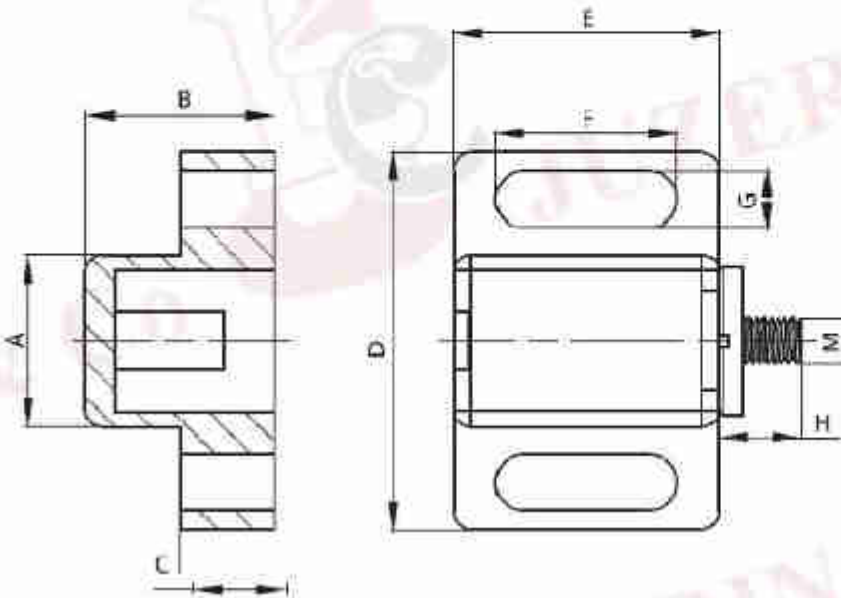


Size (mm)	Part Number	Finish	Material
74 x 74 x 7	J80-NBC	Black	Nylon

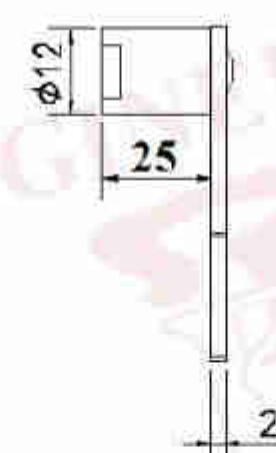
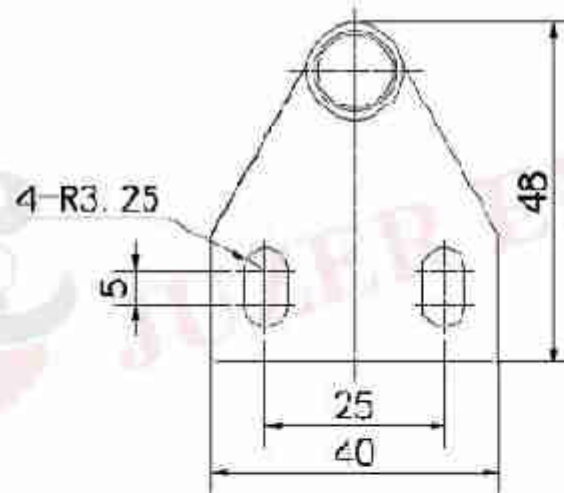
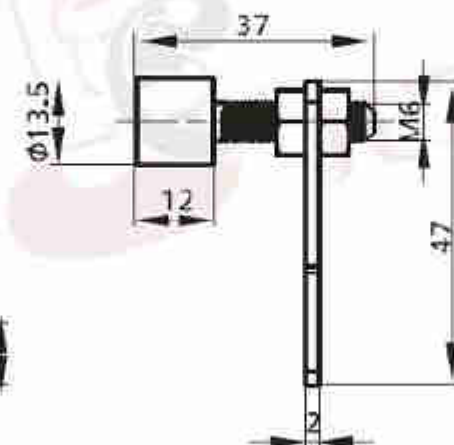
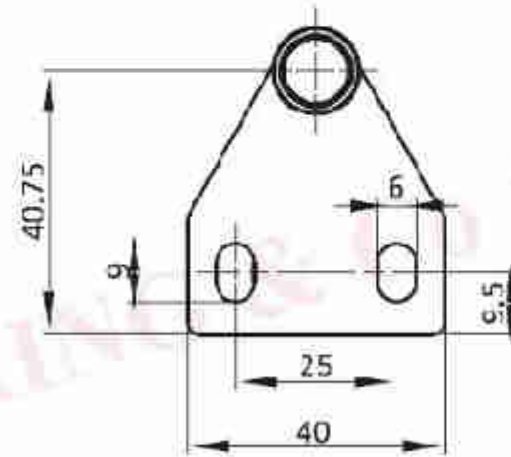




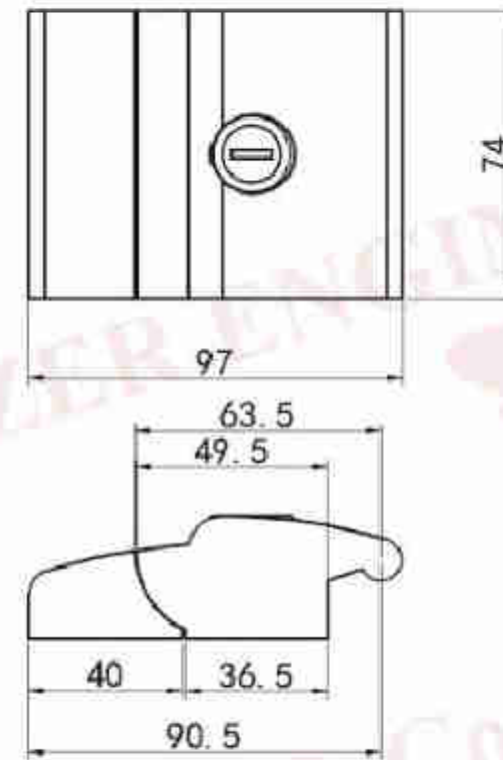
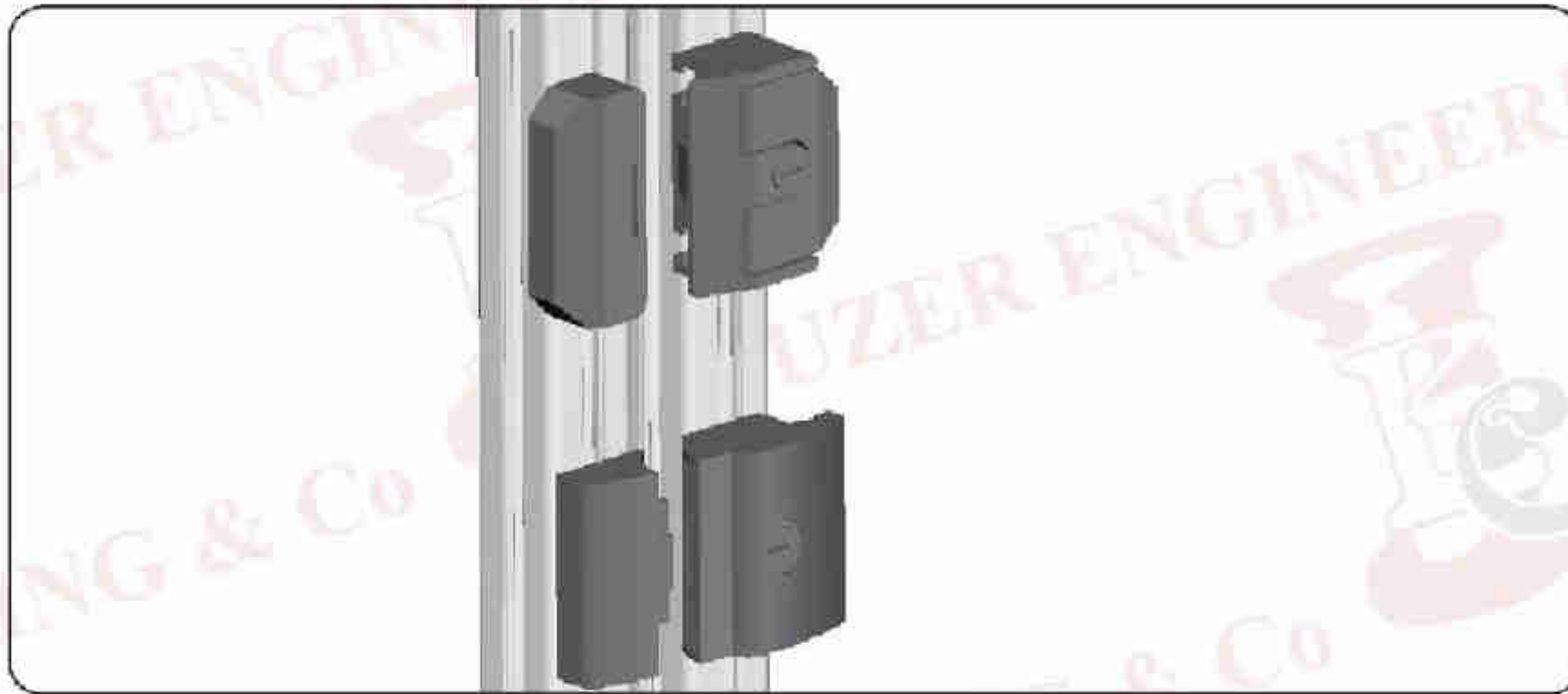
Size	Part Number	A	B	C	D	E	F	G	H	Material
70 x 12.5 x 14.5	J81-BBC	14.5	12.5	Φ4.5	42	30	Φ4.5	56	70	Brass



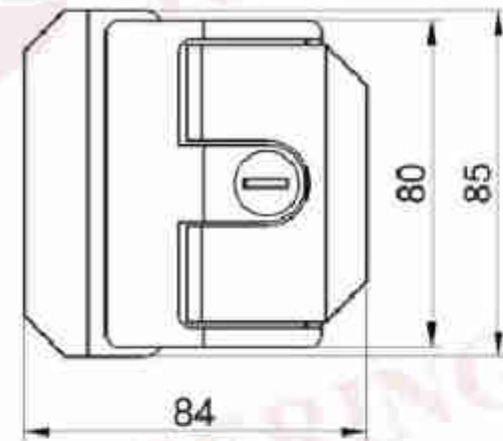
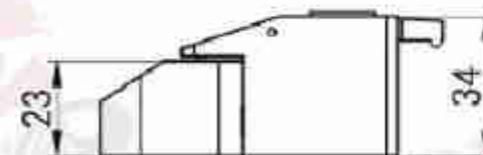
Slot	Part Number	A	B	C	D	E	F	G	H	M	Finish	Material
8	J82-NMC-08	12	14	6	28	17	12	4.4	7.4	M4	Black	Nylon
10	J82-NMC-10	18.2	20	10	40	28	19.2	6	8	M5	Black	Nylon



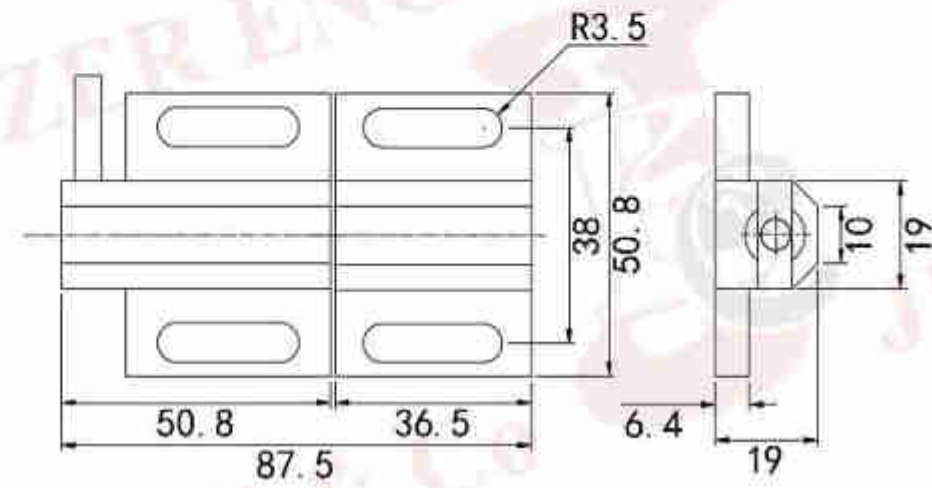
Size (mm)	Part Number	Finish	Material
47 x 40 x 37	J83-MPC-01	Zinc Plated	Carbon Steel
48 x 40 x 27	J83-MPC-02	Zinc Plated	Carbon Steel



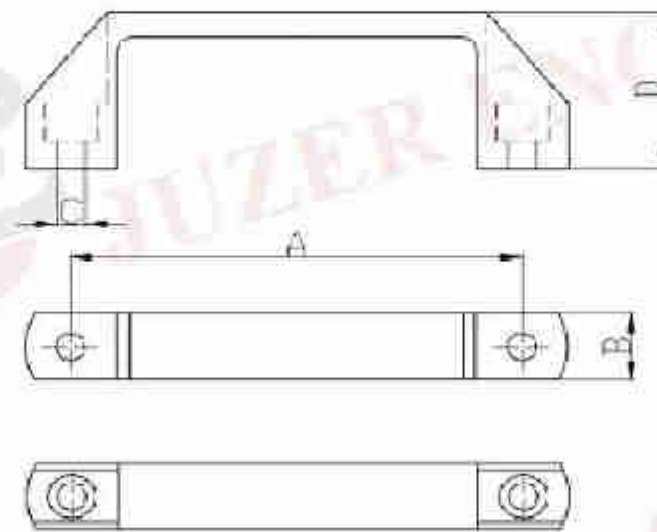
Size (mm)	Part Number	Finish	Material
97 x 74 x 35	J84-DL-01	Black Powder Coated	Die Cast Alunminum



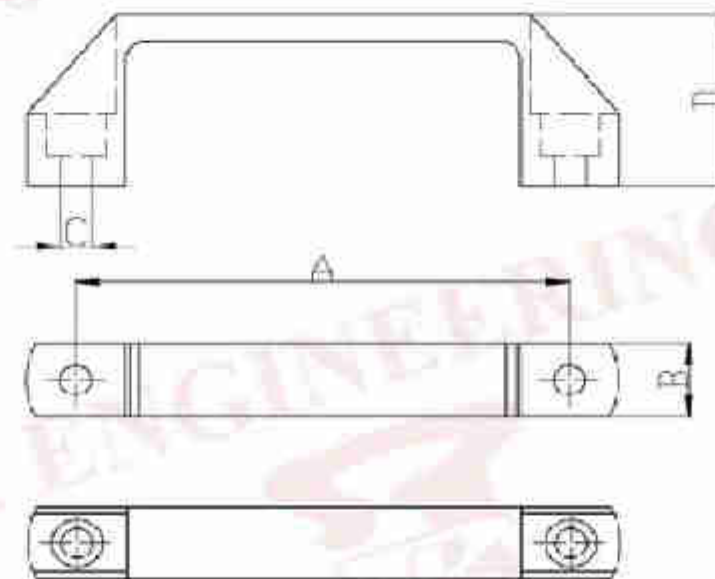
Size (mm)	Part Number	Finish	Material
85 x 84 x 34	J85-DL-02B	Black Powder Coated	Die Cast Alunminum
85 x 84 x 34	J85-DL-02W	White Powder Coated	Die Cast Alunminum



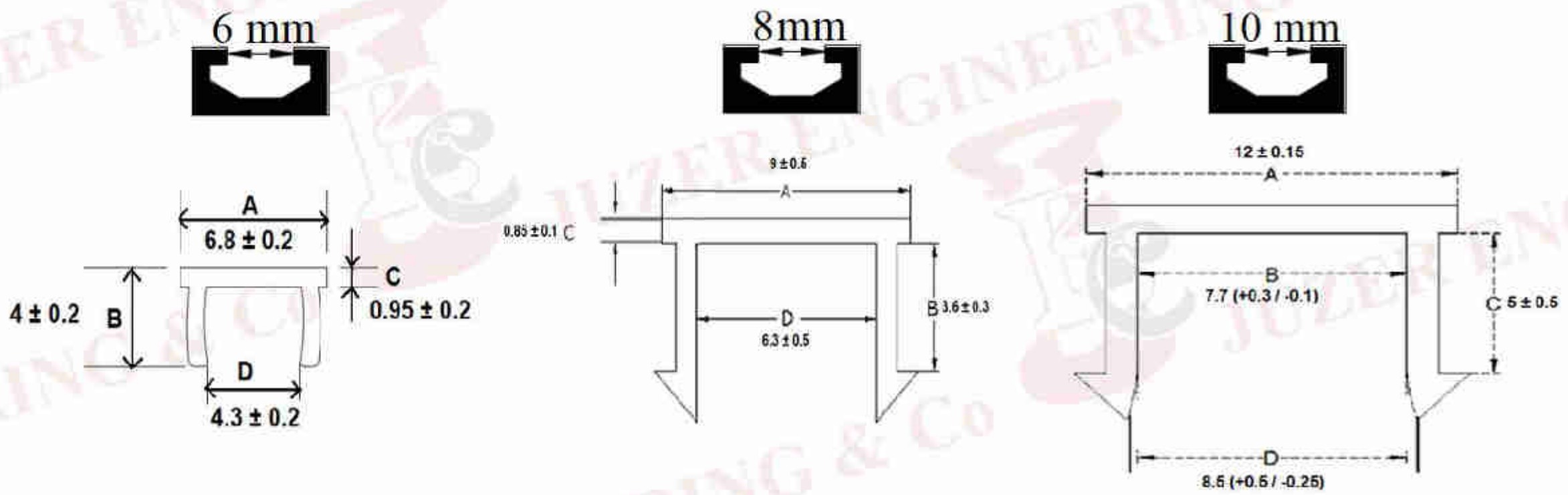
Size (mm)	Part Number	Finish	Material
88 x 51 x 19	J86-DL-03	Black Powder Coated	Die Cast Aluminum



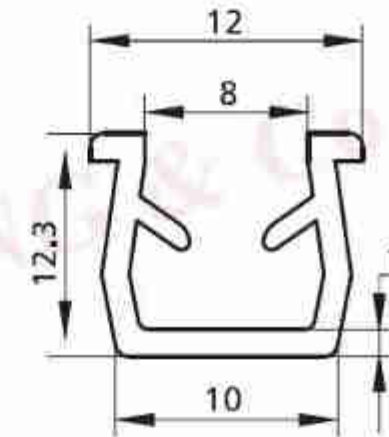
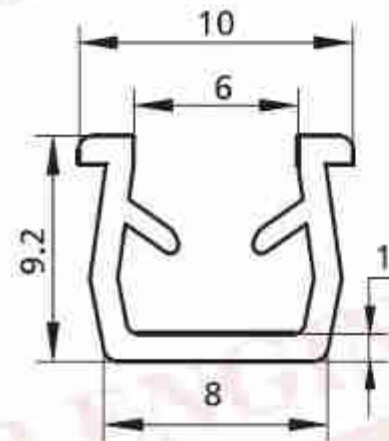
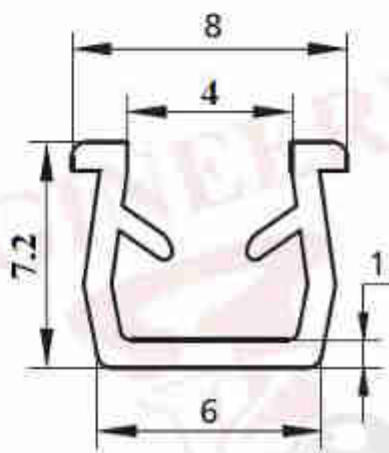
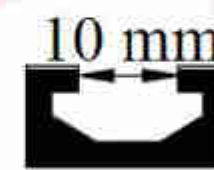
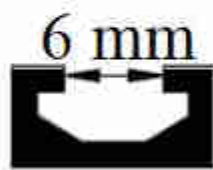
Size (mm)	Part Number	A	B	C	D	Finish	Material
90	J87-NH-090	90	19.5	6.5	36	Black	Nylon
120	J87-NH-120	120	25.0	8.2	39	Black	Nylon
150	J87-NH-150	150	28.0	8.5	44	Black	Nylon
160	J87-NH-160	160	28.0	8.5	49	Black	Nylon
180	J87-NH-180	180	28.5	8.5	50	Black	Nylon



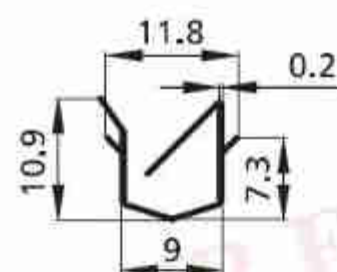
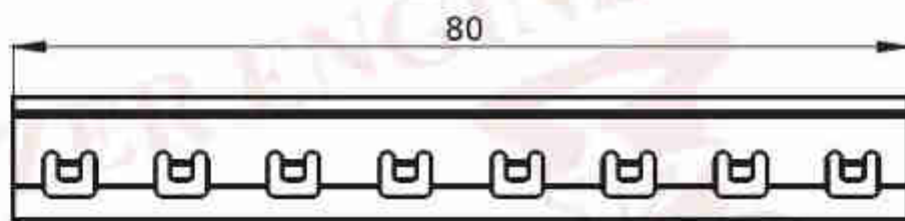
Size (mm)	Part Number	A	B	C	D	Finish	Material
90	J88-AH-090	90	19.5	6.5	36	Black/Silver	Die Cast Aluminum
120	J88-AH-120	120	25.0	8.2	39	Black/Silver	Die Cast Aluminum
180	J88-AH-180	180	28.5	8.5	50	Black/Silver	Die Cast Aluminum



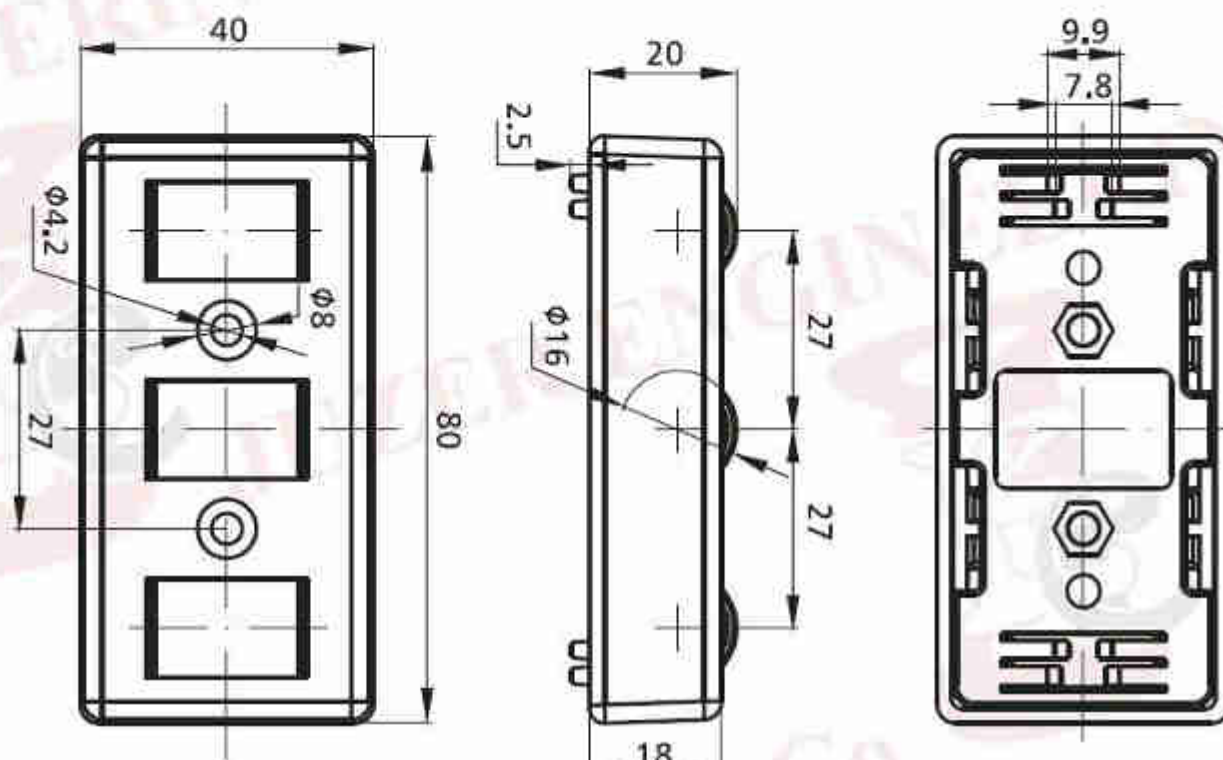
Slot Size	Part Number	Finish	Material
6	J89-PSC-06	Black, White, Grey, Yellow, Red & Blue	PVC
8	J89-PSC-08		
10	J89-PSC-10		



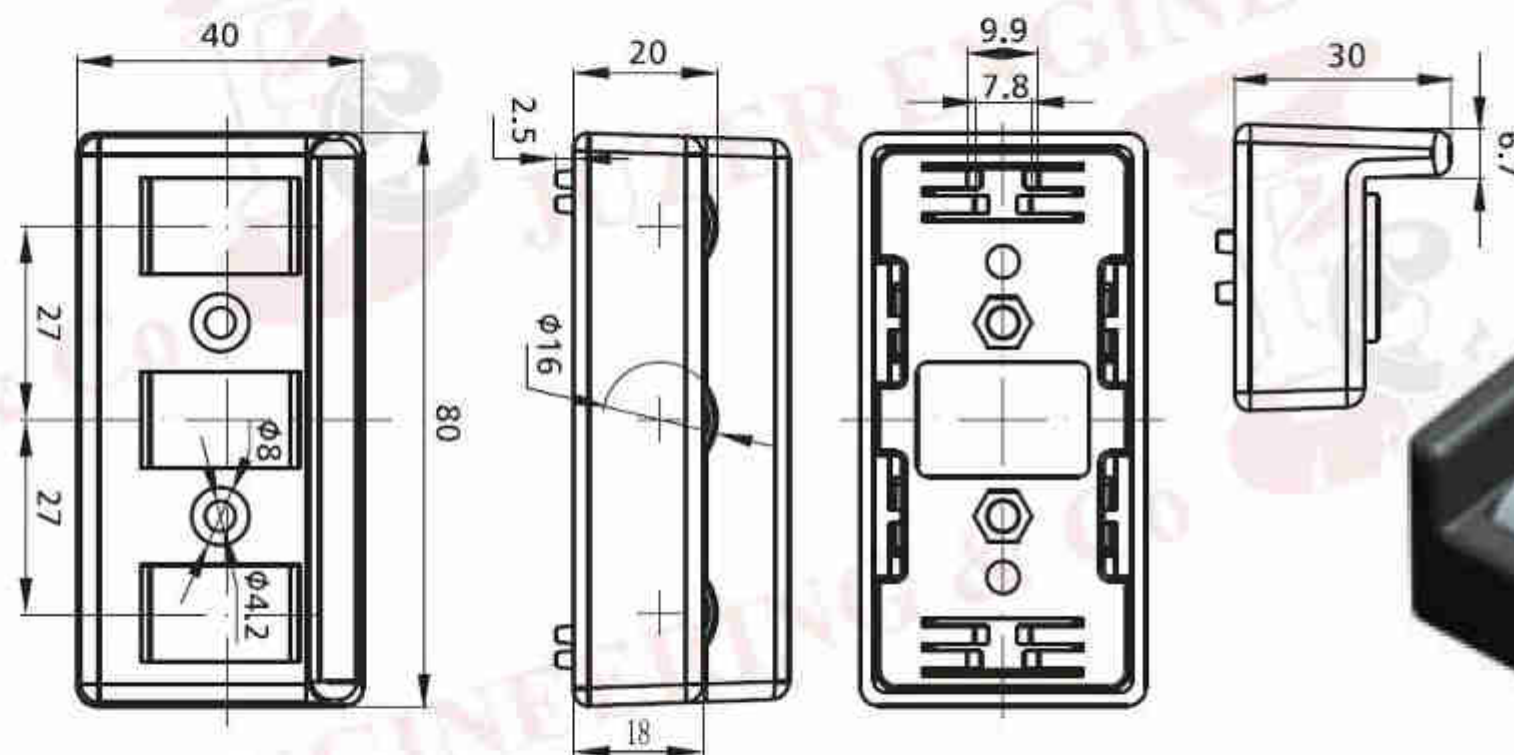
Slot Size	Part Number	Finish	Material
6	J90-PSR-06	Black	PVC
8	J90-PSR-08		
10	J90-PSR-10		



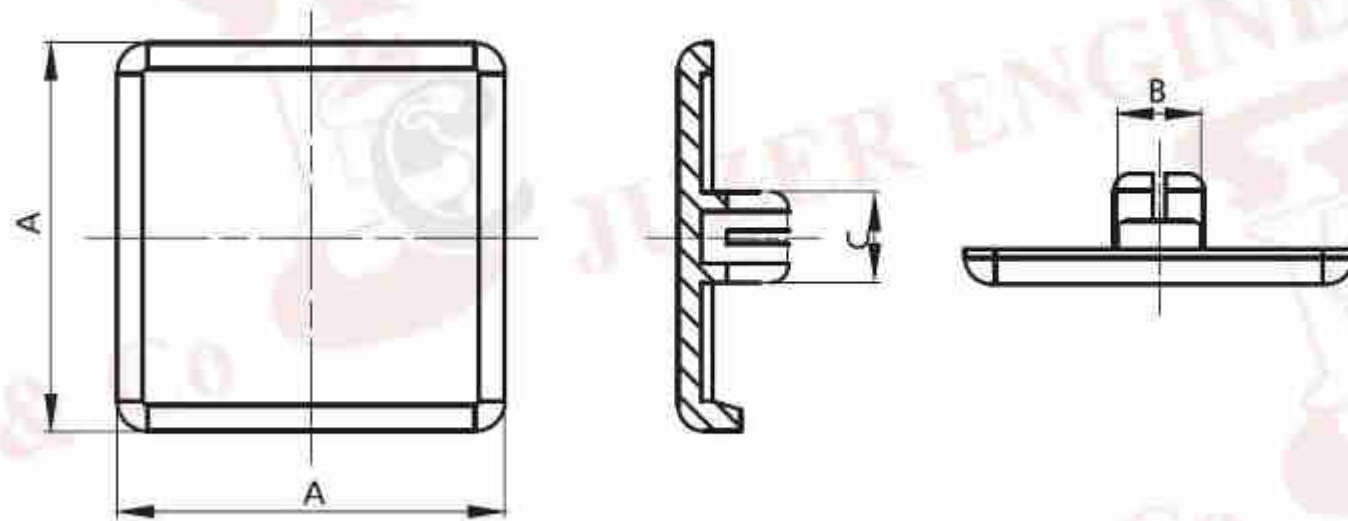
Slot Size	Part Number	Finish	Material
10	J91-PSR-SS10	Plain	SS



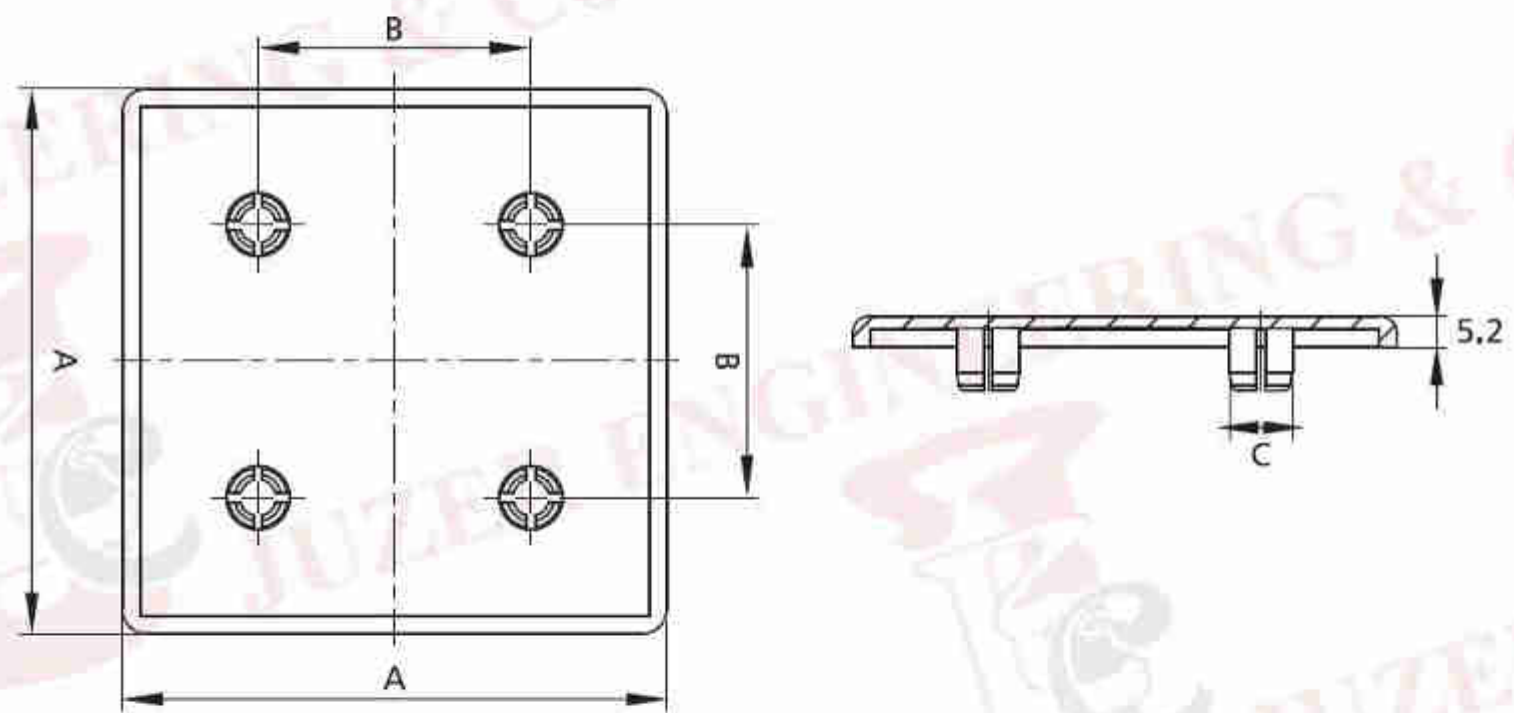
Part Number	Max Load	Finish	Material
J92-RE	150 N	Black	Casing: Nylon , Roller: POM



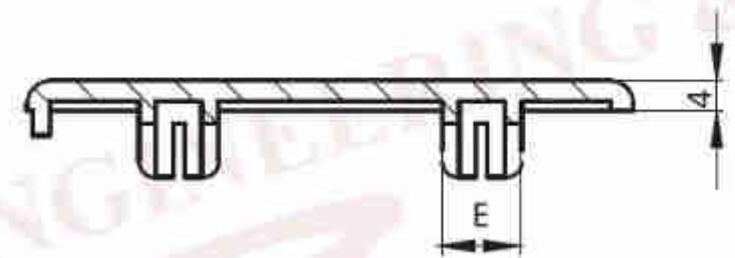
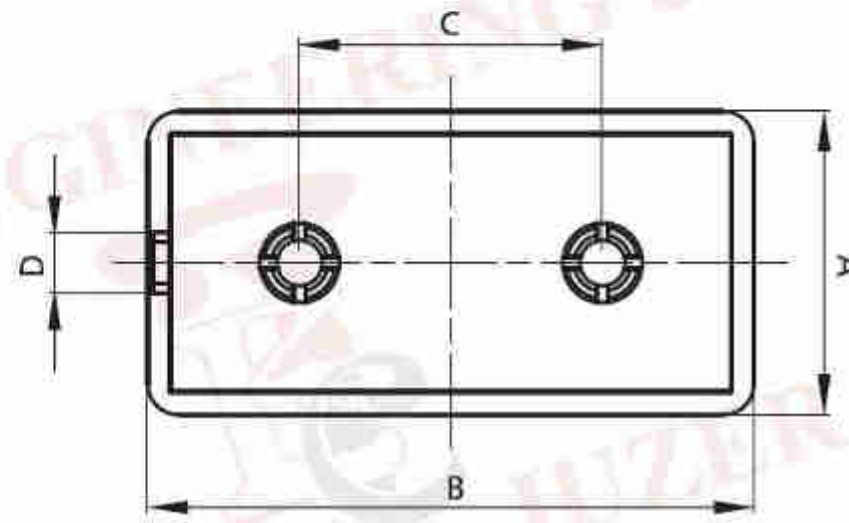
Part Number	Max Load	Finish	Material
J93-GRE	150 N	Black	Casing: Nylon , Roller: POM



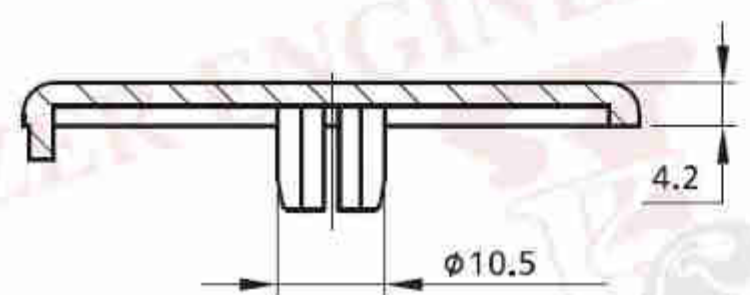
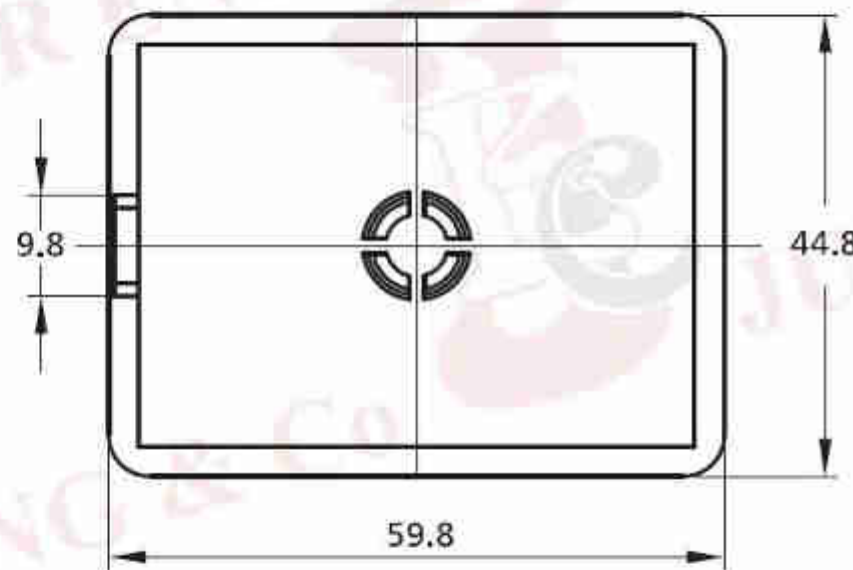
Size (mm)	Part Number	Slot (mm)	A	B	C	Finish	Material
20x20	J94-PEC-2020	6	20	6	Φ6	Black	Nylon
30x30	J94-PEC-3030	8	30	8	Φ7.2	Black	Nylon
40x40	J94-PEC-4040-08	8	40	8	Φ7.2	Black	Nylon
40x40	J94-PEC-4040	10	40	10	Φ10.5	Black	Nylon
45x45	J94-PEC-4545	10	45	10	Φ10.5	Black	Nylon
50x50	J94-PEC-5050	10	50	9.8	Φ10.5	Black	Nylon
60x60	J94-PEC-6060	10	60	9.8	Φ10.5	Black	Nylon



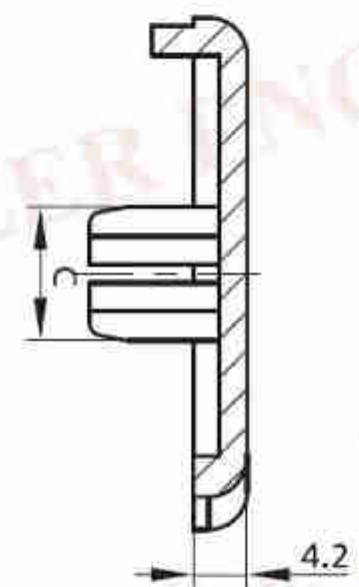
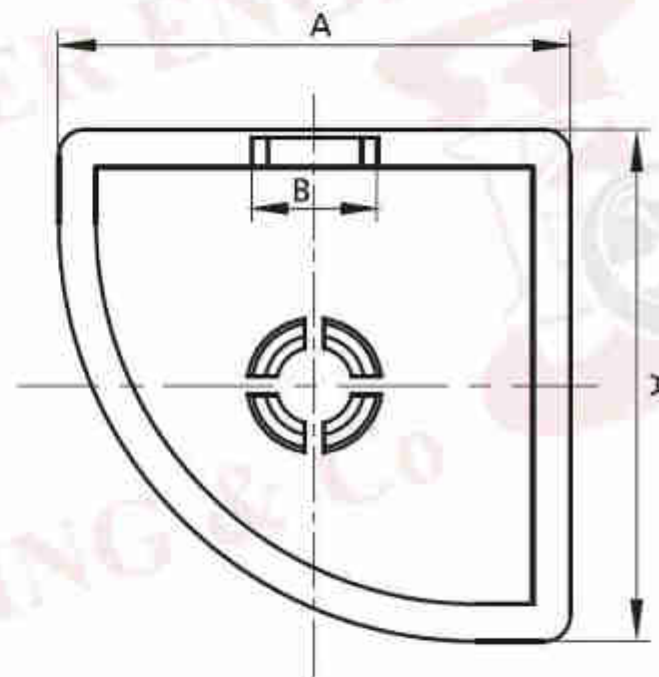
Size (mm)	Part Number	Slot (mm)	A	B	C	Finish	Material
80x80	J94-PEC-8080	10	80	40	Φ10.5	Black	Nylon
90x90	J94-PEC-9090	10	90	45	Φ10.5	Black	Nylon



Size (mm)	Part Number	Slot (mm)	A	B	C	D	E	Finish	Material
20x40	J94-PEC-2040	6	20	40	20	5.9	Φ5.4	Black	Nylon
30x60	J94-PEC-3060	8	30	60	30	8	Φ7.2	Black	Nylon
40x80	J94-PEC-4080	10	40	80	40	9.8	Φ10.5	Black	Nylon
45x90	J94-PEC-4590	10	45	90	45	9.8	Φ10.5	Black	Nylon

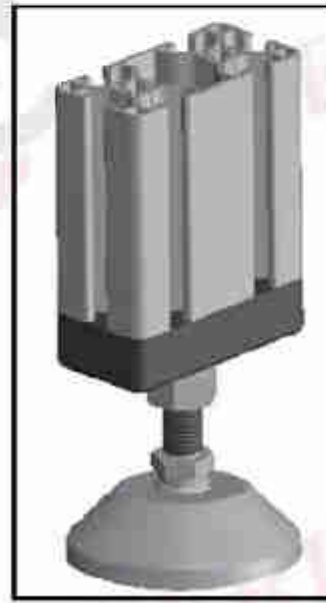


Size (mm)	Part Number	Slot (mm)	Finish	Material
45x60	J94-PEC-4560	10	Black	Nylon

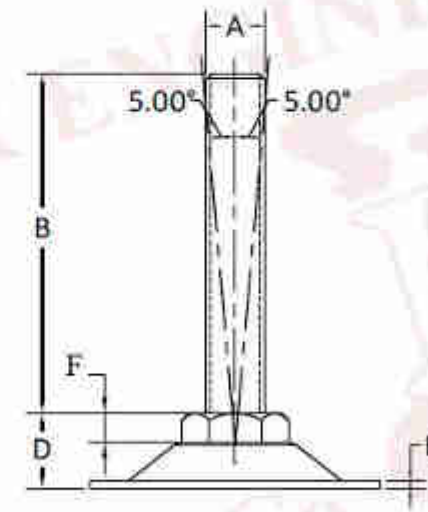
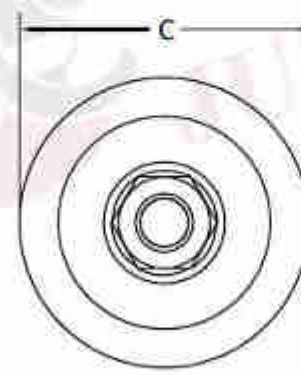


Size (mm)	Part Number	Slot (mm)	A	B	C	Finish	Material
30x30-R	J94-PEC-3030R	8	30	8	Φ7.2	Black	Nylon
40x40-R	J94-PEC-4040R	10	40	9.8	Φ10.5	Black	Nylon
45x45-R	J94-PEC-4545R	10	45	9.8	Φ10.5	Black	Nylon



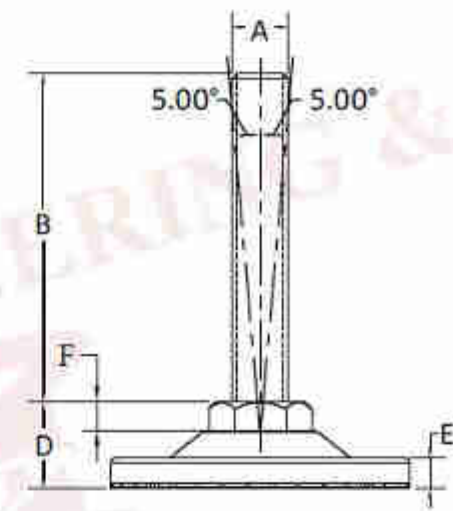
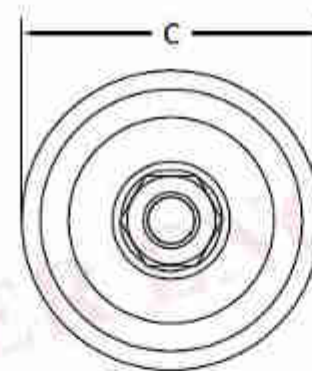


**Leveling Pads - Mild Steel**



Part Number	Max Load	A	B	C	D	E	F	Material
J95-LP-60-0870-MS	30 kg	M8	70	60	15.5	1.5	6	<b>Thrust Plate: Steel</b> <b>Stud: Steel</b> <b>Finish: Zn Plated</b>
J95-LP-60-1070-MS	30 kg	M10	70	60	15.5	1.5	6	
J95-LP-60-1270-MS	30 kg	M12	70	60	15.5	1.5	6	

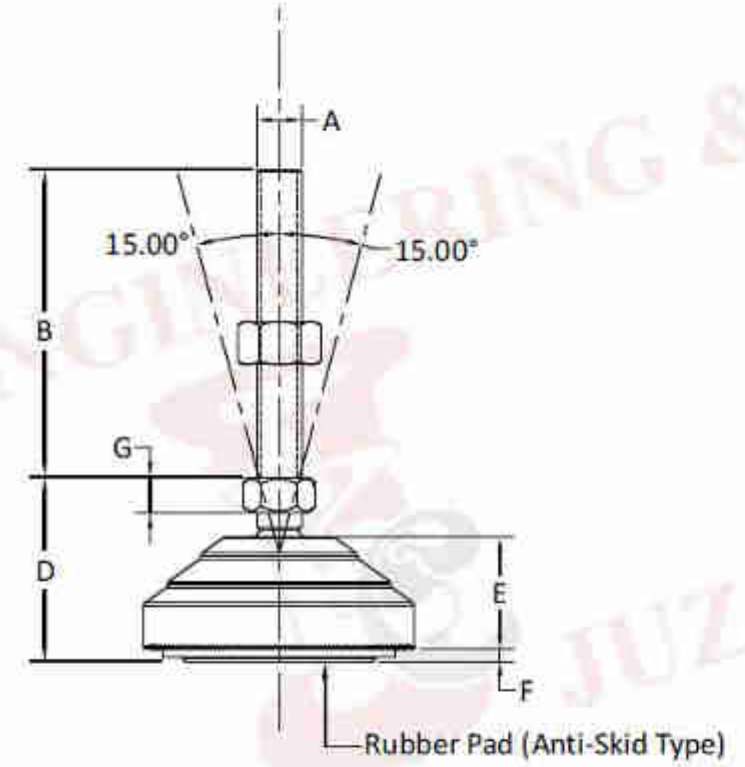
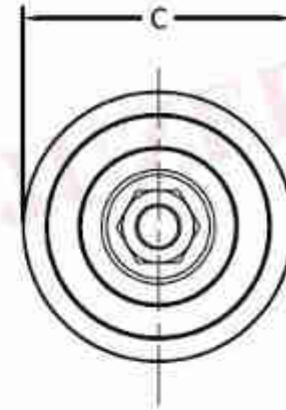
**Anti-Skid leveling Pads- Mild Steel with Rubber Pad**



Part Number	Max Load	A	B	C	D	E	F	Material
J96-LP-60-0870-MSR	30 kg	M8	70	65	15.5	6.5	6	<b>Thrust Plate: Steel</b> <b>Stud: Steel</b> <b>Anti-Skid Pad: NBR Rubber SH75</b> <b>Finish: Zn Plated</b>
J96-LP-60-1070-MSR	30 kg	M10	70	65	15.5	6.5	6	
J96-LP-60-1270-MSR	30 kg	M12	70	65	15.5	6.5	6	



**Polyamide base Anti-Skid Leveling Pad**

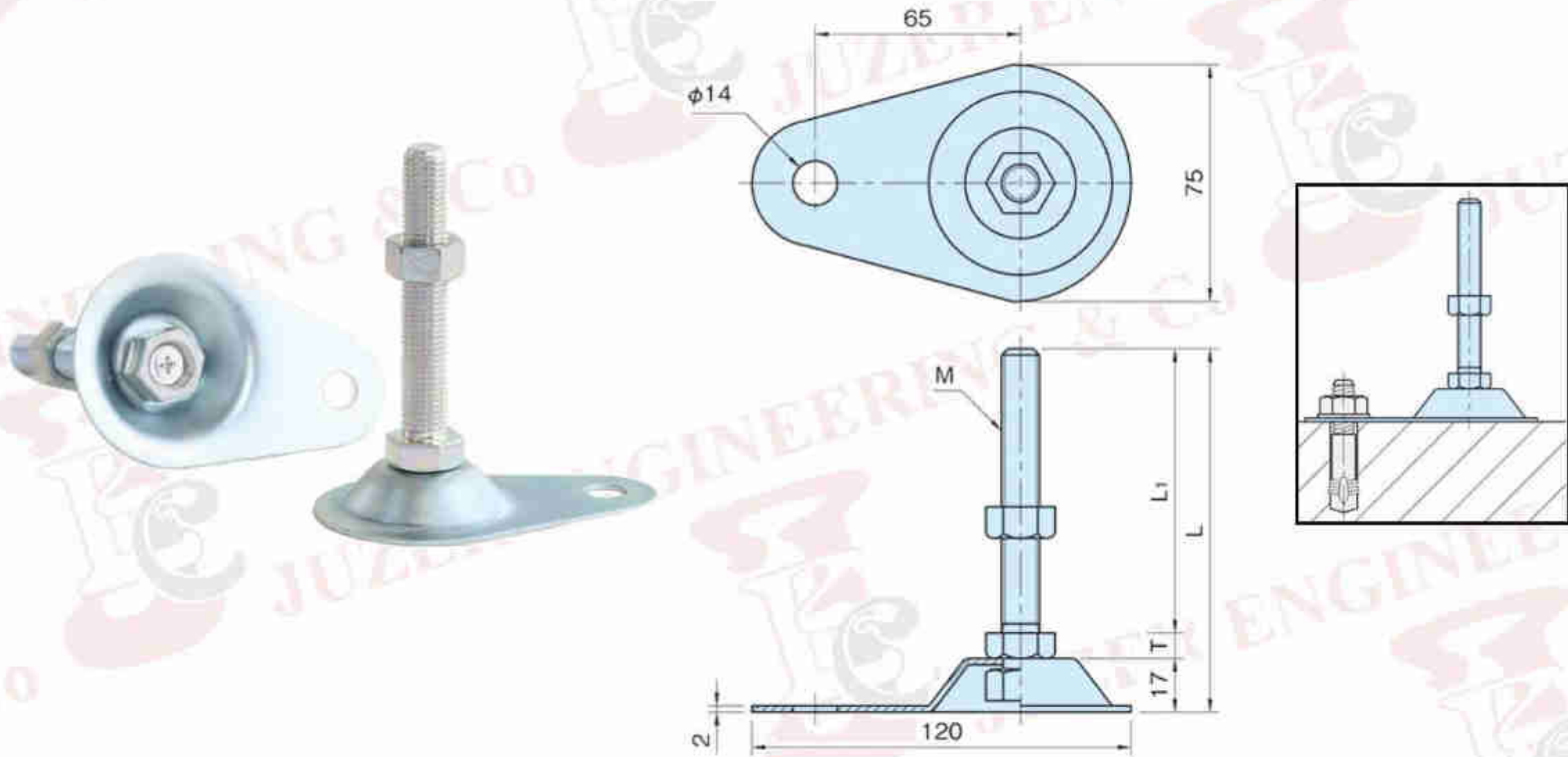


Base Dia: 60 mm

Part Number	Max Load	A	B	C	D	E	F	G	Material
J97-LP-60-0868-P	100 kg	M8	68	60	41.5	25	2.5	8	Base: Polyamide Stud: Steel Anti-Skid Pad: NBR Rubber SH75 Finish: Zn Plated
J97-LP-60-1068-P	100 kg	M10	68	60	41.5	25	2.5	8	
J97-LP-60-10100-P	100 kg	M10	100	60	41.5	25	2.5	8	
J97-LP-60-1268-P	100 kg	M12	68	60	41.5	25	2.5	8	
J97-LP-60-12100-P	100 kg	M12	100	60	41.5	25	2.5	8	
J97-LP-60-12150-P	100 kg	M12	150	60	41.5	25	2.5	8	
J97-LP-60-1668-P	100 kg	M16	68	60	41.5	25	2.5	8	
J97-LP-60-16100-P	100 kg	M16	100	60	41.5	25	2.5	8	
J97-LP-60-16150-P	100 kg	M16	150	60	41.5	25	2.5	8	
J97-LP-60-20100-P	100 kg	M20	100	60	41.5	25	2.5	8	
J97-LP-60-20150-P	100 kg	M20	150	60	41.5	25	2.5	8	

Base Dia: 80 mm

Part Number	Max Load	A	B	C	D	E	F	G	Material
J98-LP-80-0868-P	120 kg	M8	68	80	41.5	25	2.5	8	Base: Polyamide Stud: Steel Anti-Skid Pad: NBR Rubber SH75 Finish: Zn Plated
J98-LP-80-1068-P	120 kg	M10	68	80	41.5	25	2.5	8	
J98-LP-80-10100-P	120 kg	M10	100	80	41.5	25	2.5	8	
J98-LP-80-1268-P	120 kg	M12	68	80	41.5	25	2.5	8	
J98-LP-80-12100-P	120 kg	M12	100	80	41.5	25	2.5	8	
J98-LP-80-12150-P	120 kg	M12	150	80	41.5	25	2.5	8	
J98-LP-80-1668-P	120 kg	M16	68	80	41.5	25	2.5	8	
J98-LP-80-16100-P	120 kg	M16	100	80	41.5	25	2.5	8	
J98-LP-80-16150-P	120 kg	M16	150	80	41.5	25	2.5	8	
J98-LP-80-20100-P	120 kg	M20	100	80	41.5	25	2.5	8	
J98-LP-80-20150-P	120 kg	M20	150	80	41.5	25	2.5	8	

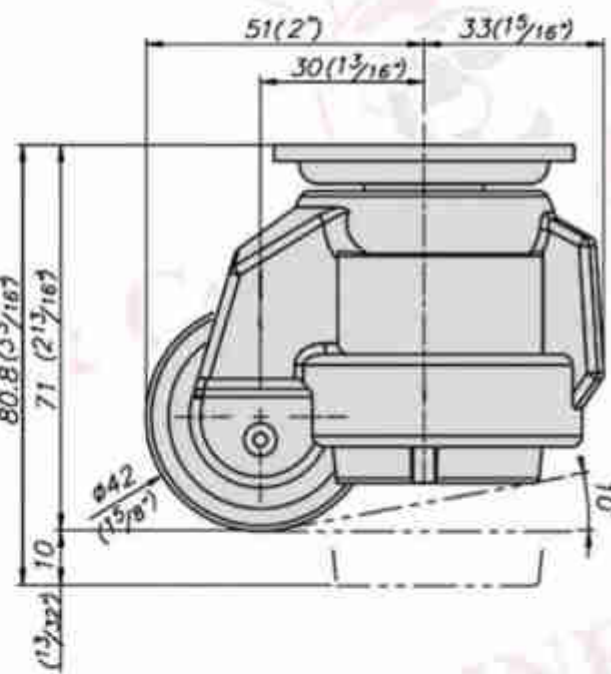
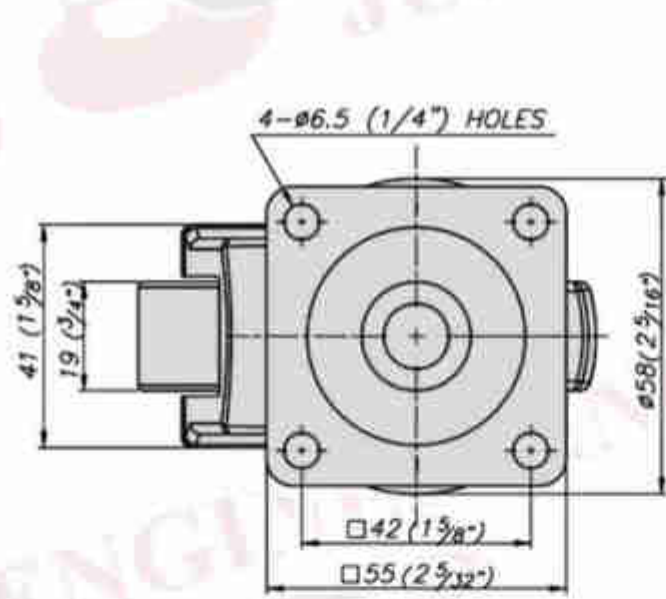


**Base Dia: 75 mm**

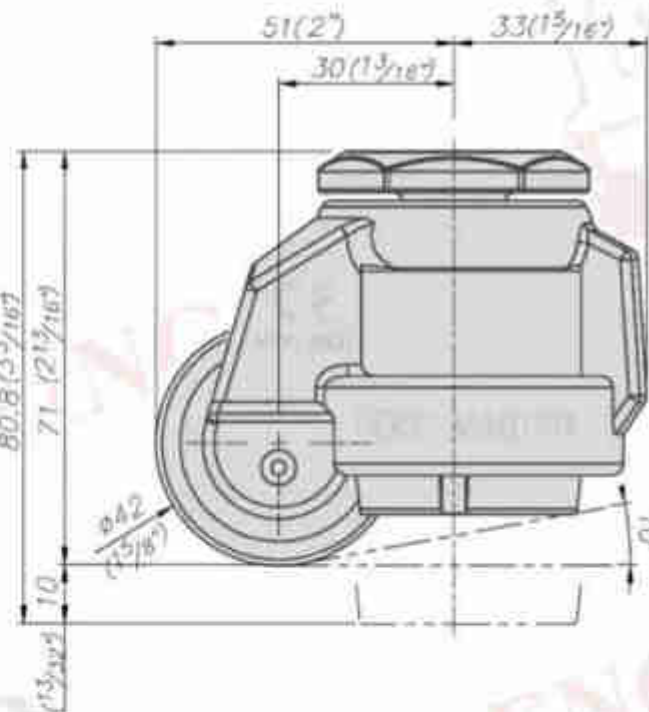
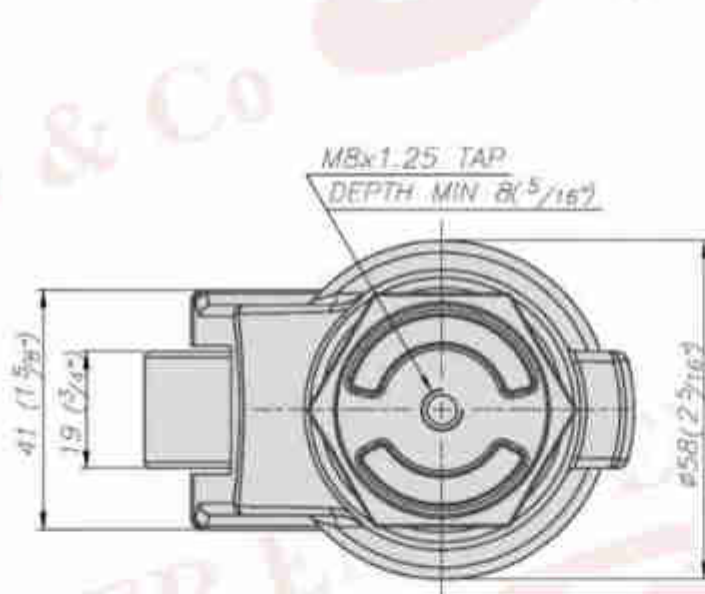
Part Number	Max Load	M	T	L	L1	Material
J99-LPA-75-1250	500 kg	M12	8	75	50	<b>Base:</b> Carbon Steel <b>Stud:</b> Carbon Steel <b>Finish:</b> Zn Plated
J99-LPA-75-12100	500 kg	M12	8	125	100	
J99-LPA-75-12150	500 kg	M12	8	175	150	
J99-LPA-75-1665	500 kg	M16	10	90	65	
J99-LPA-75-16100	500 kg	M16	10	125	100	
J99-LPA-75-16150	500 kg	M16	10	175	150	



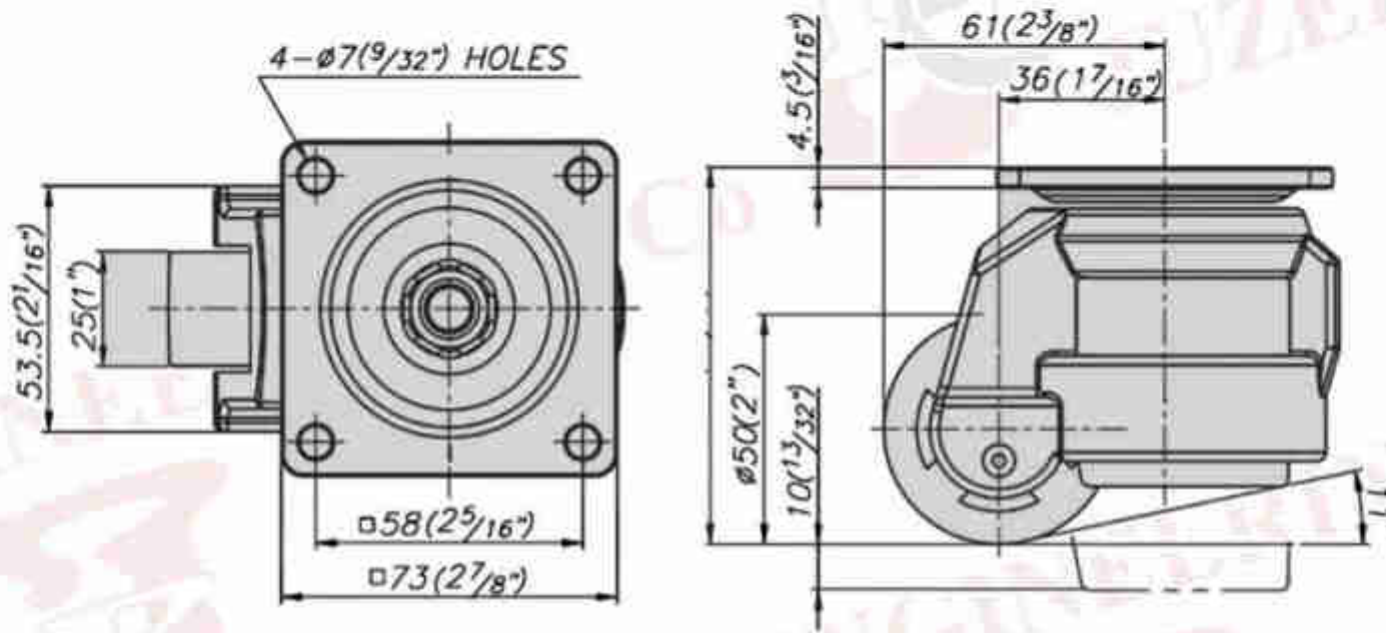
Product Description	Material	Finish
Footmaster leveling casters	<b>Top Plate:</b> Pressed Steel <b>Body:</b> Die Cast Aluminum <b>Wheel:</b> Nylon <b>Leveling Pad:</b> NBR Resin	Powder Coated & Zinc Galvanized



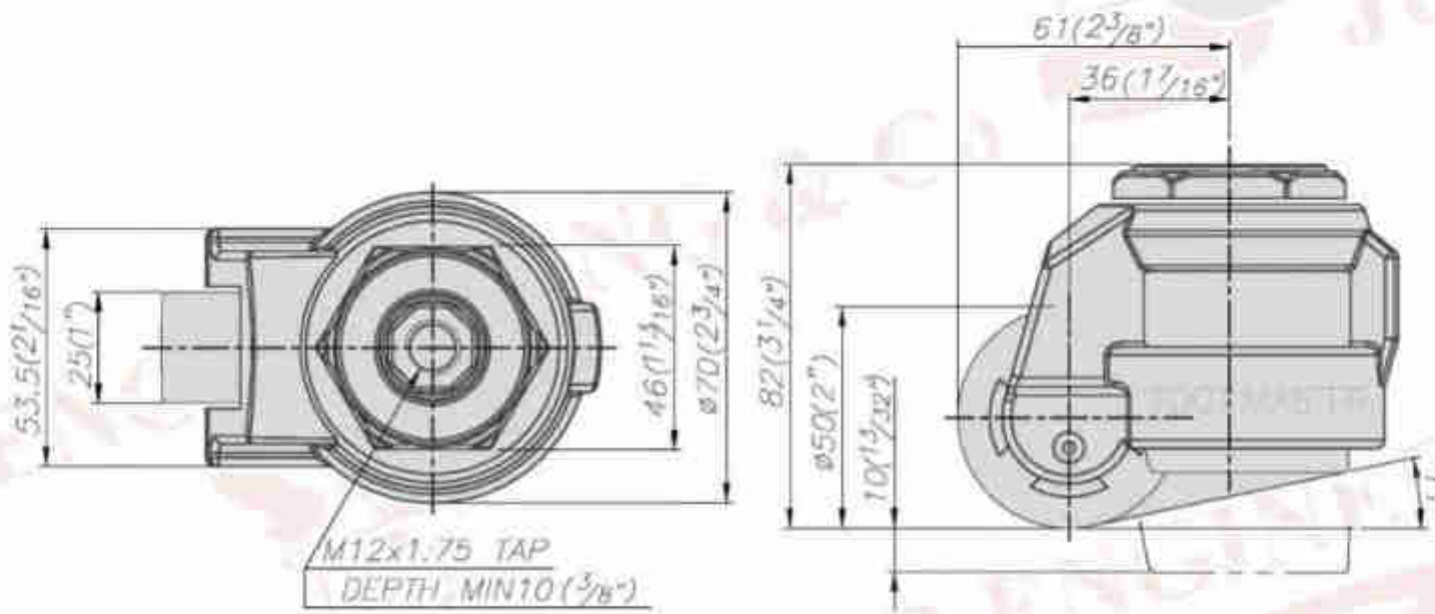
Part Number	Wheel Dia	Wheel Width	Height	Load Capacity/4 Pcs
JLC-40F	42 mm	20 mm	81 mm	150 kg



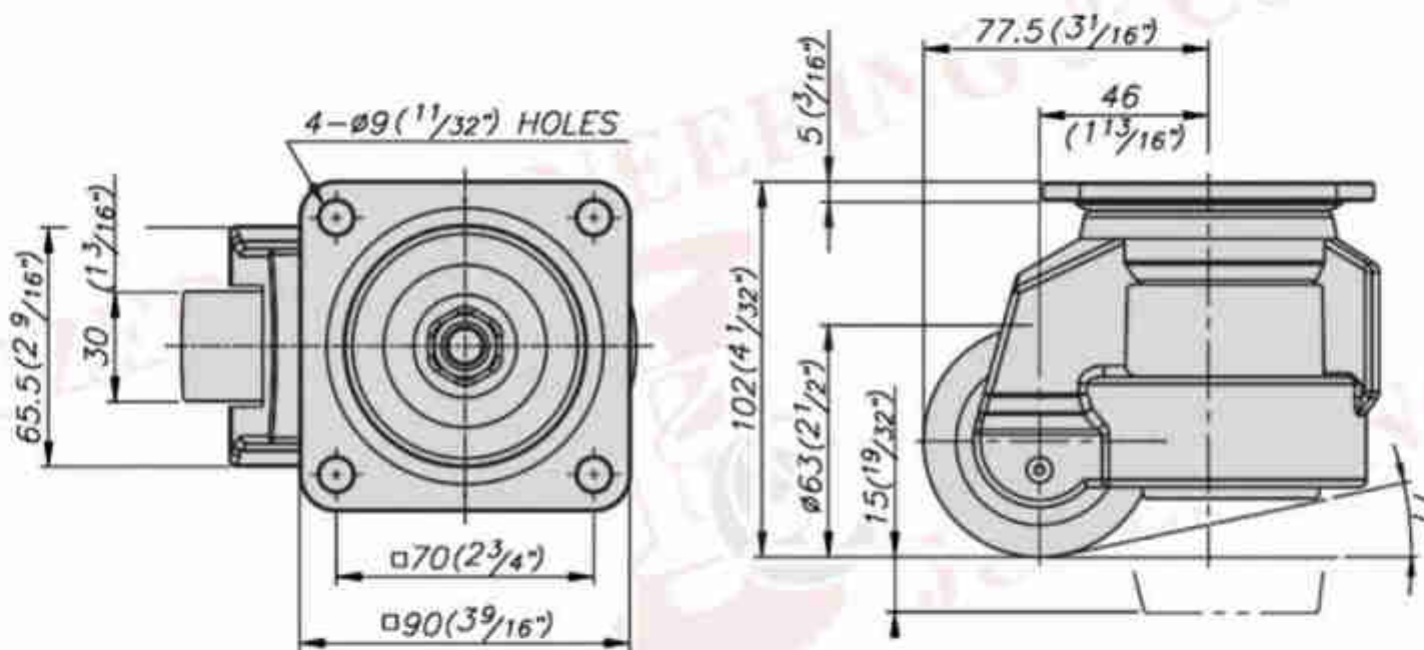
Part Number	Wheel Dia	Wheel Width	Height	Load Capacity/4 Pcs
JLC-40S	42 mm	20 mm	81 mm	150 kg



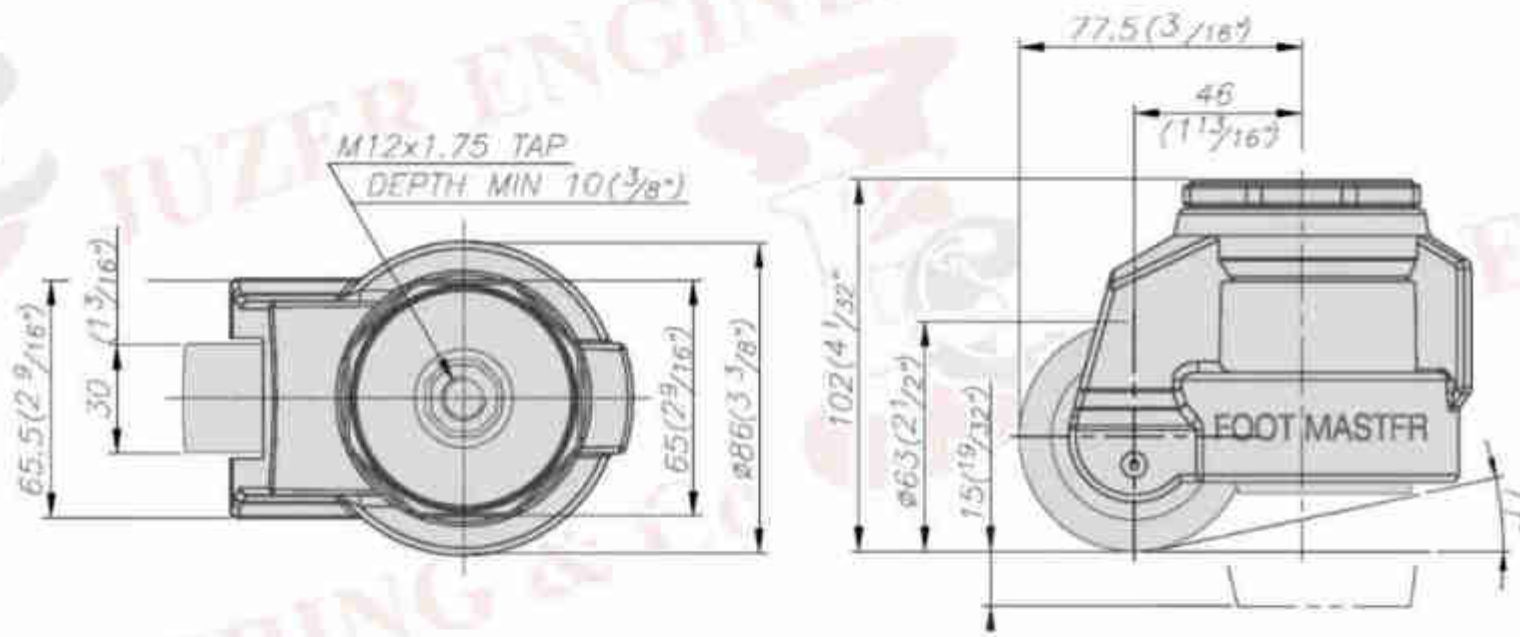
Part Number	Wheel Dia	Wheel Width	Height	Load Capacity/4 Pcs
JLC-60F	50 mm	25 mm	92 mm	500 kg



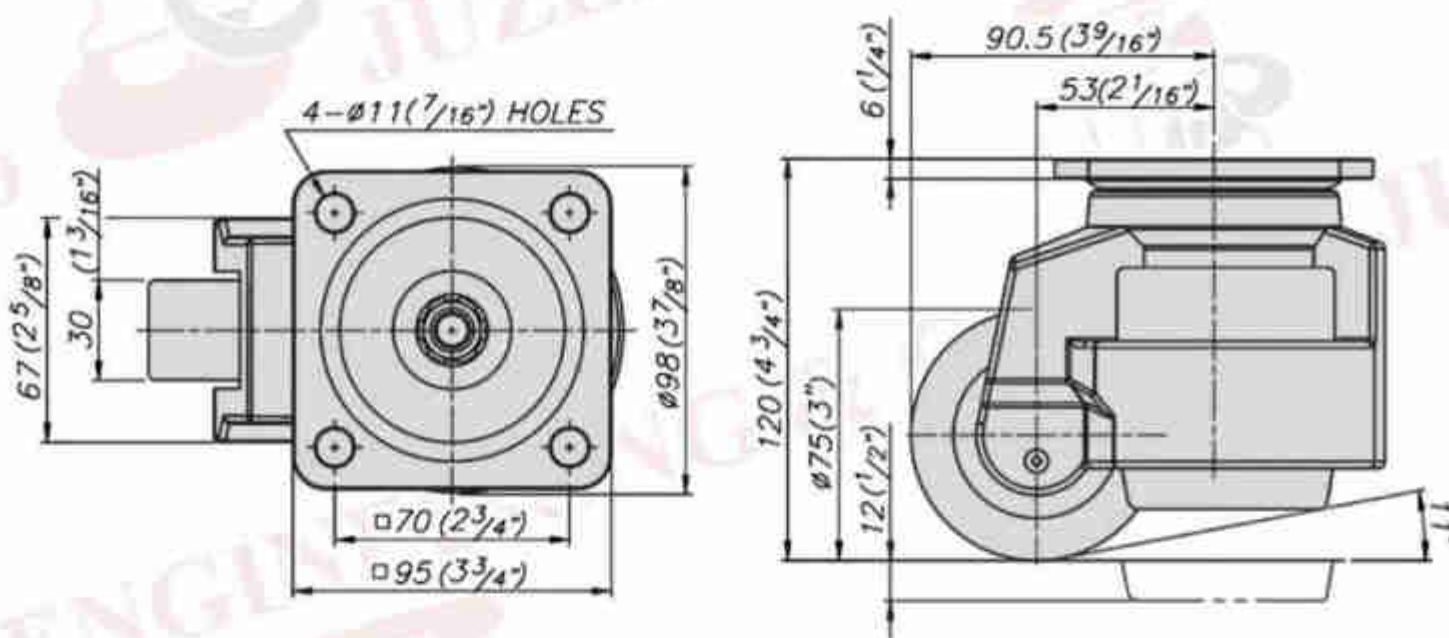
Part Number	Wheel Dia	Wheel Width	Height	Load Capacity/4 Pcs
JLC-60S	50 mm	25 mm	92 mm	500 kg



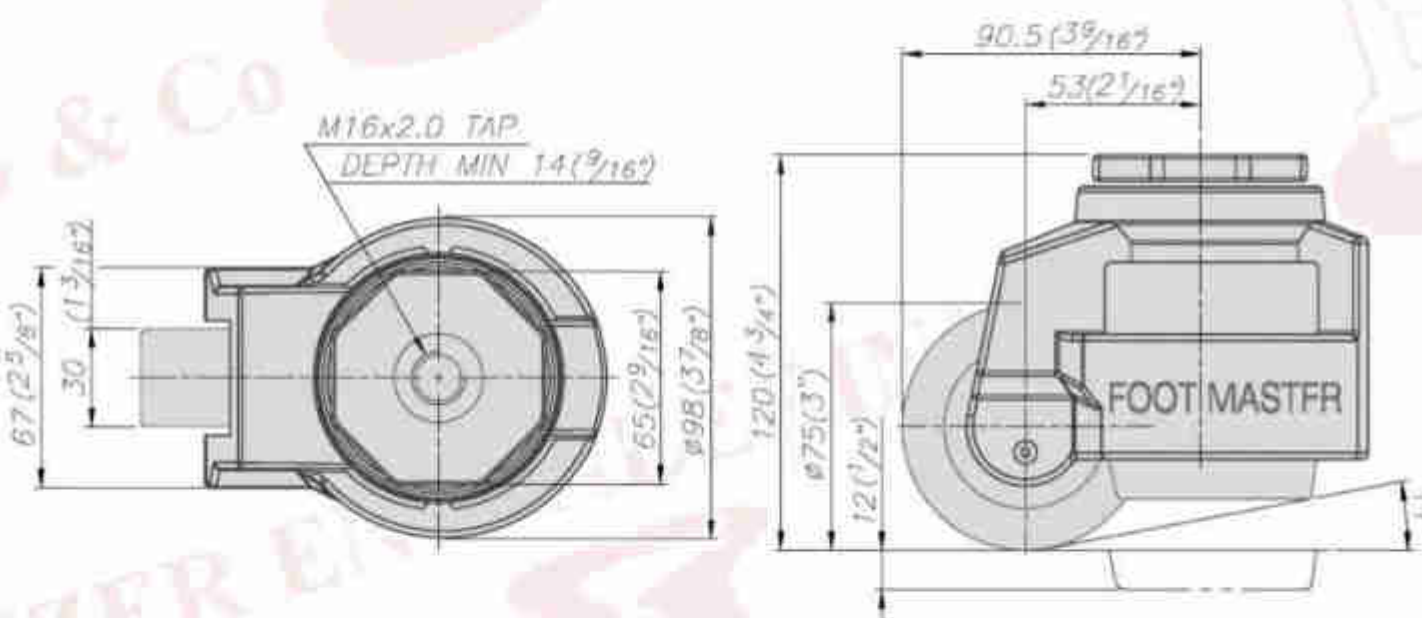
Part Number	Wheel Dia	Wheel Width	Height	Load Capacity/4 Pcs
JLC-80F	63 mm	30 mm	118 mm	1000 kg



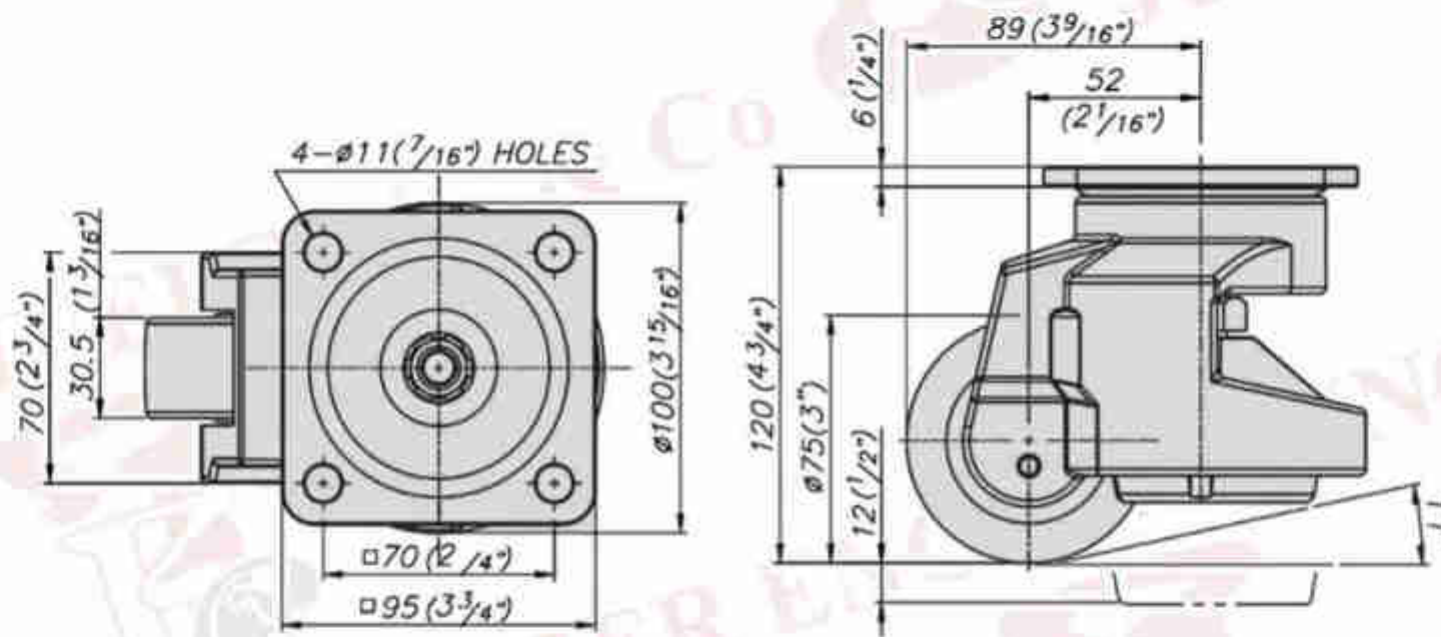
Part Number	Wheel Dia	Wheel Width	Height	Load Capacity/4 Pcs
JLC-80S	63 mm	30 mm	118 mm	1000 kg



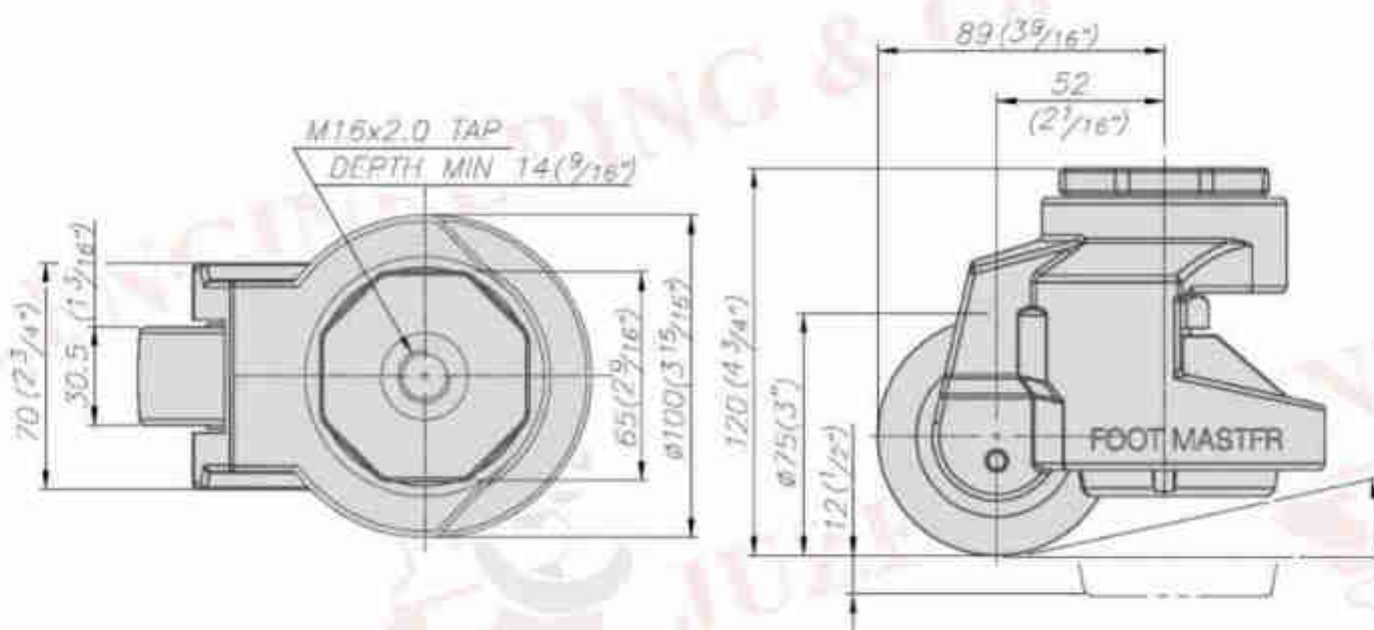
Part Number	Wheel Dia	Wheel Width	Height	Load Capacity/4 Pcs
JLC-100F	75 mm	30 mm	132 mm	1500 kg



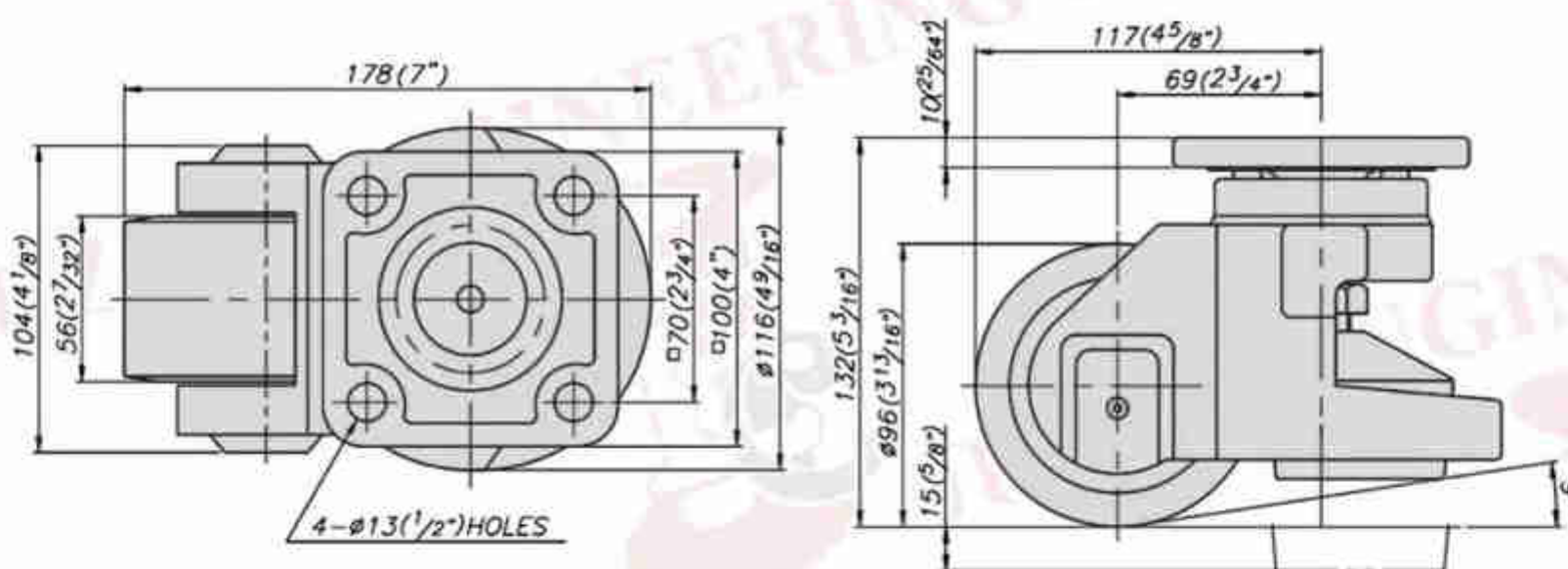
Part Number	Wheel Dia	Wheel Width	Height	Load Capacity/4 Pcs
JLC-100S	75 mm	30 mm	132 mm	1500 kg



Part Number	Wheel Dia	Wheel Width	Height	Load Capacity/4 Pcs
JLC-120F	75 mm	30 mm	132 mm	2000 kg



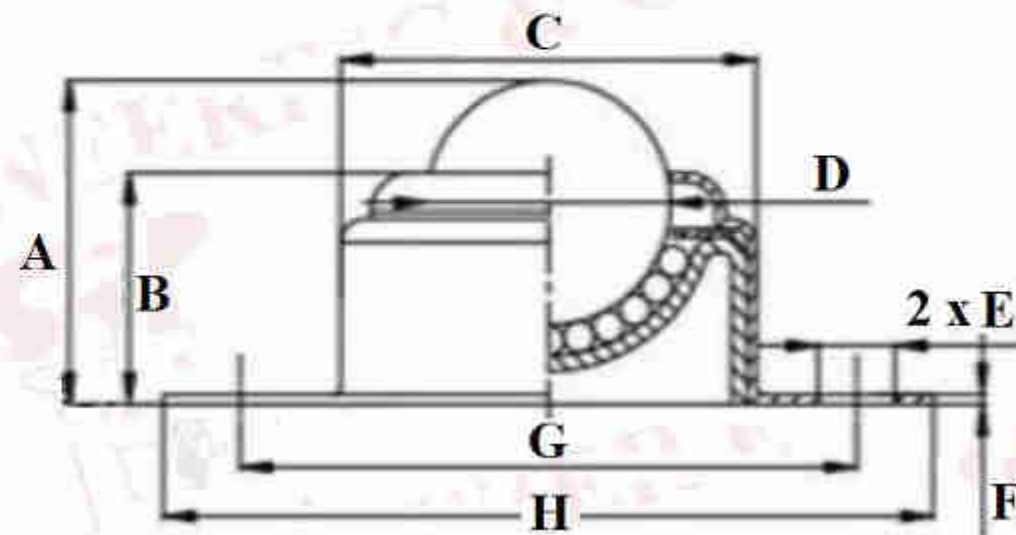
Part Number	Wheel Dia	Wheel Width	Height	Load Capacity/4 Pcs
JLC-120S	75 mm	30 mm	132 mm	2000 kg



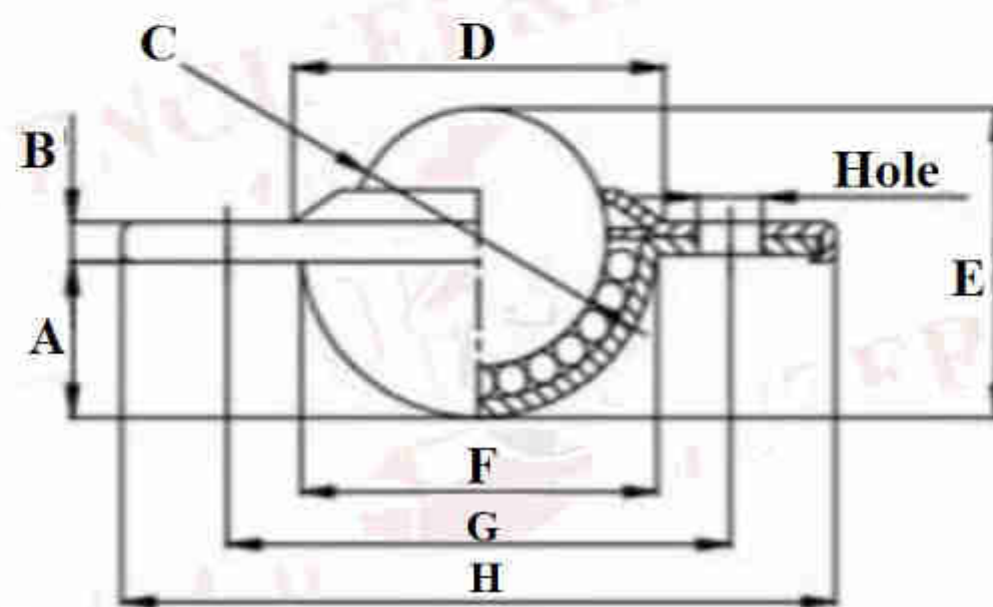
Part Number	Wheel Dia	Wheel Width	Height	Load Capacity/4 Pcs
JLC-150F	96 mm	56 mm	147 mm	3000 kg



Product Description	Material
Ball Transfer Units	<b>Load Ball:</b> Chromium Steel , Nylon
	<b>Housing:</b> Carbon Steel , Nylon

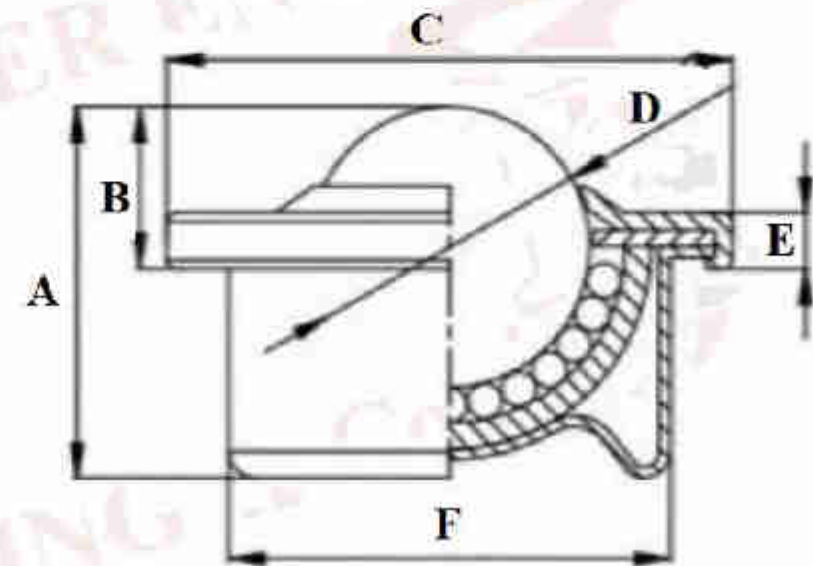


Part Number	Ball Dia	A	B	C	D	E	F	G	H	Max Load
J-BTU-15A	15 mm	21	16	Φ27	Φ15	Φ4	1	40	50	15 kg
J-BTU-25A	25 mm	31	23	Φ43	Φ25	Φ5	1.2	56	71	30 kg
J-BTU-30A	30 mm	40	31	Φ52	Φ30	Φ7	1.5	70	86	50 kg

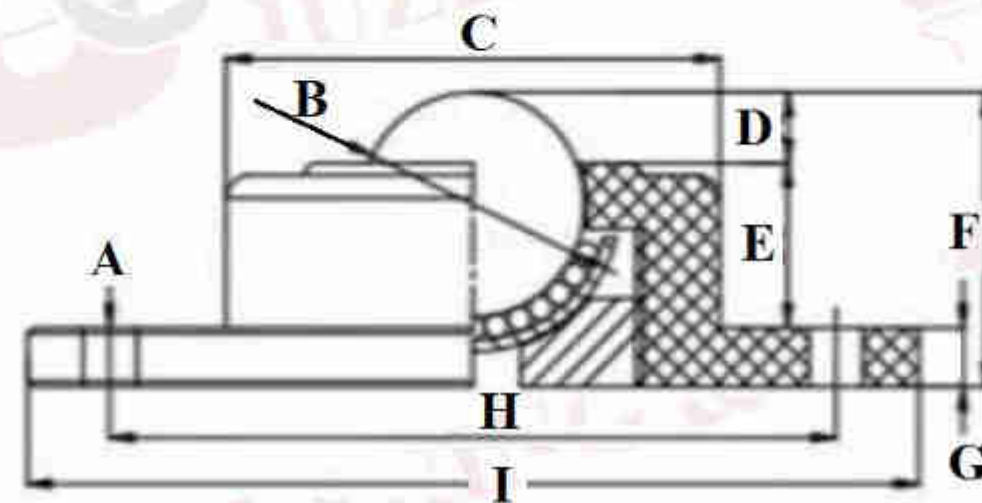


Part Number	Ball Dia	A	B	C	D	Hole	E	F	G	H	Max Load
J-BTU-15B	15 mm	9	2.5	Φ15	Φ23	2xΦ4.5	19	22	31	44	15 kg
J-BTU-25B	25 mm	16	3	Φ25	Φ37	2xΦ5.5	30	40	55	71	30 kg
J-BTU-30B	30 mm	19	4	Φ30	Φ45	3xΦ5.0	37	43	60	73	45 kg
J-BTU-38B	38 mm	28	6	Φ38	Φ60	3xΦ5.0	32	55	80	95	55 kg

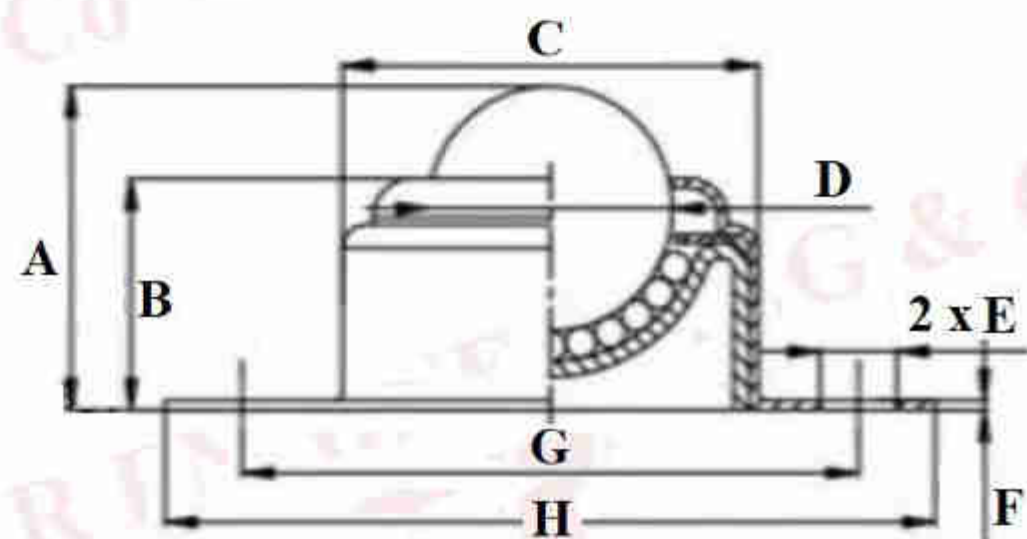




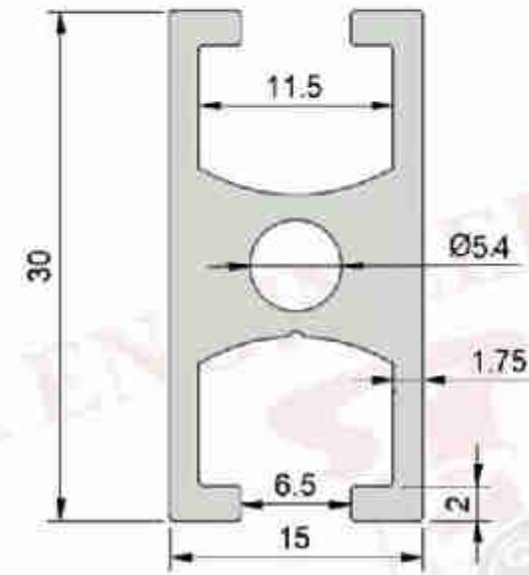
Part Number	Ball Dia	A	B	C	D	E	F	Max Load
J-BTU-15H	15 mm	21	10	Φ32	Φ15	3	Φ25	25 kg
J-BTU-22H	22 mm	30	10	Φ45	Φ22	3	Φ36	55 kg
J-BTU-30H	30 mm	35.5	13	Φ55	Φ30	3.2	Φ45	85 kg



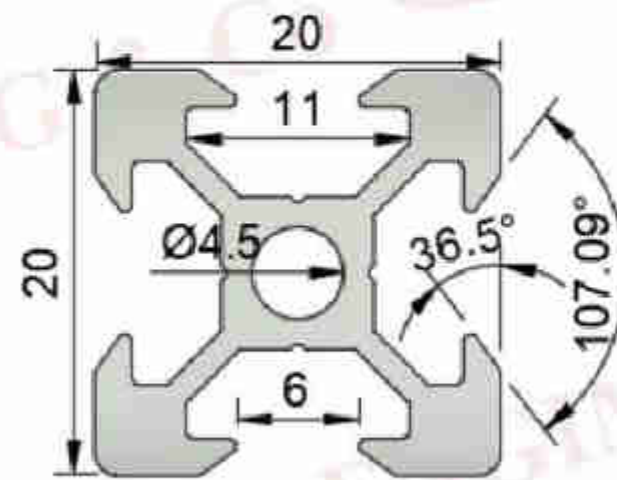
Part Number	Ball Dia	A	B	C	D	E	F	G	H	I	Max Load
J-BTU-15ACN	15 mm	Φ7	Φ15	Φ37	6	14	25	5	60	75	10 kg
J-BTU-25ACN	25 mm	Φ7	Φ25	Φ47	8	19	32	5	68	85	20 kg
J-BTU-30ACN	30 mm	Φ11	Φ30	Φ60	10	26	40	8	75	100	30 kg
J-BTU-38ACN	38 mm	Φ11	Φ38	Φ79	10	26	46	10	110	140	40 kg



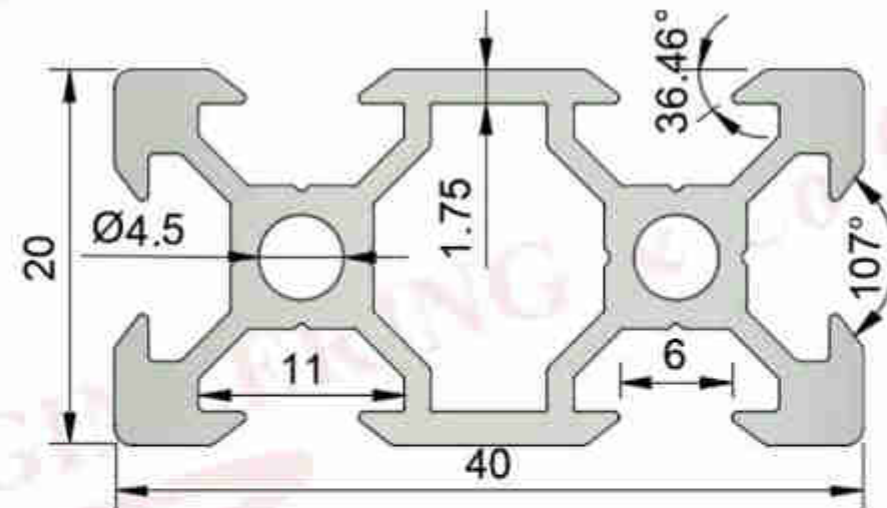
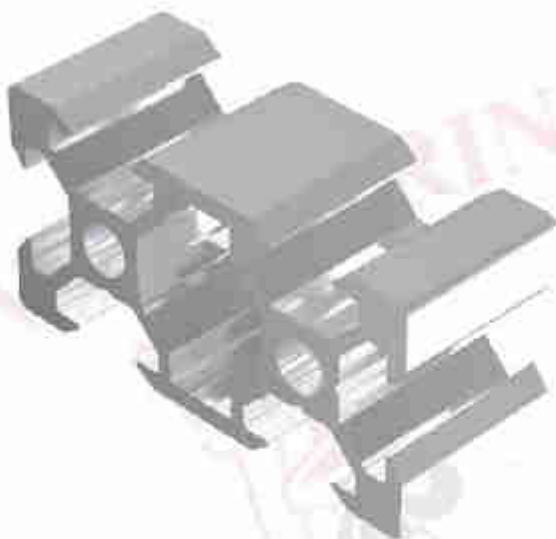
Part Number	Ball Dia	A	B	C	D	E	F	G	H	Max Load
J-BTU-15ANB	15 mm	21	16	Φ27	Φ15	Φ4	1	40	50	10 kg
J-BTU-25ANB	25 mm	31	23	Φ43	Φ25	Φ5	1.2	56	71	25 kg
J-BTU-30ANB	30 mm	40	31	Φ52	Φ30	Φ7	1.5	70	86	30 kg



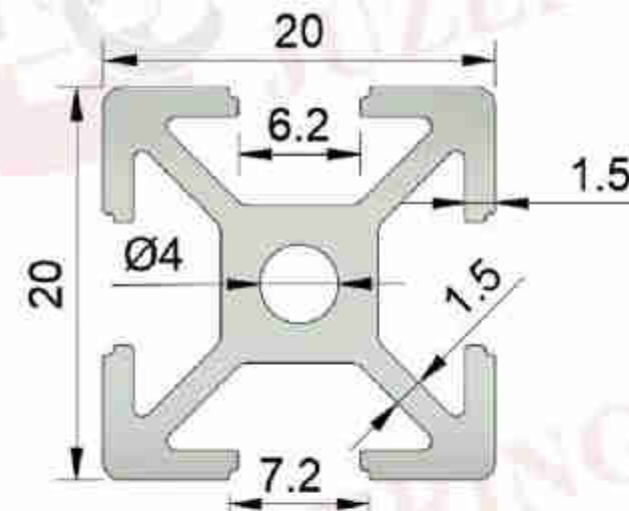
Profile Size (mm)	Part Number	Slot Width (mm)	Wt. Range (kg/m)
15x30	JA1-06-1530	6	0.550-0.620



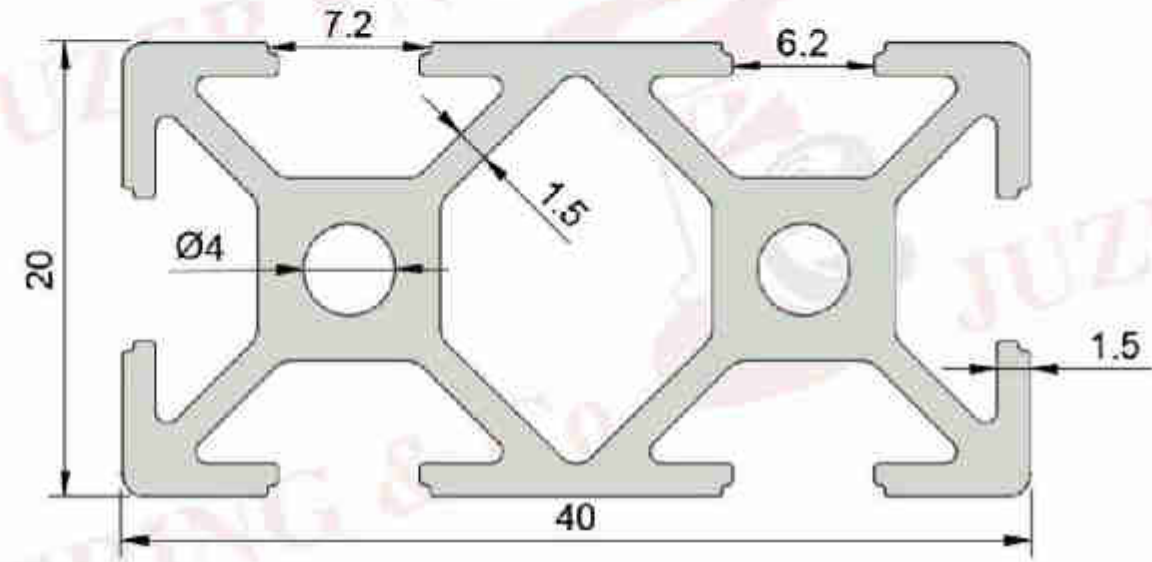
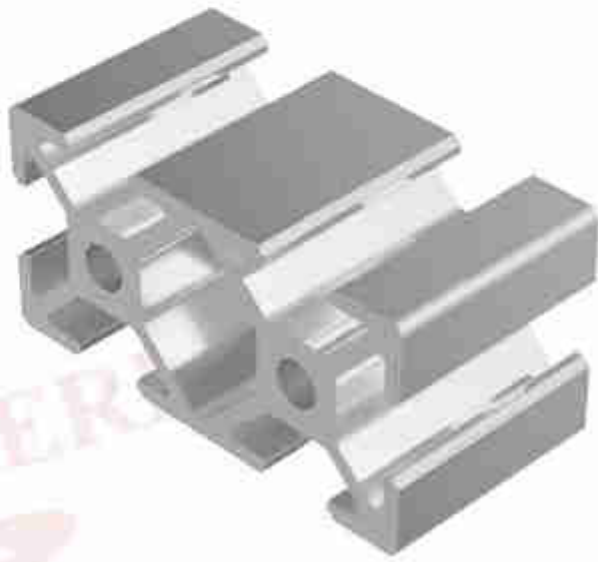
Profile Size (mm)	Part Number	Slot Width (mm)	Wt. Range (kg/m)
20x20 (V-Slot)	JA2-06-2020V	6	0.410-0.470



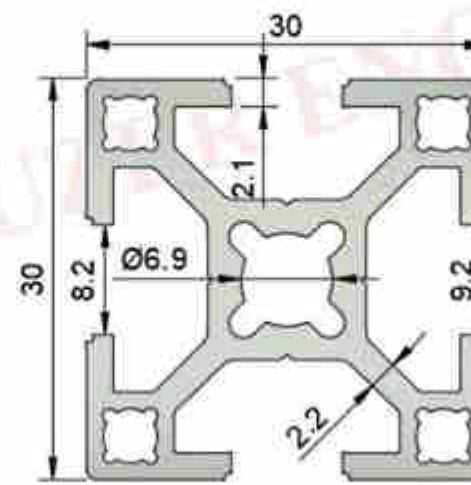
Profile Size (mm)	Part Number	Slot Width (mm)	Wt. Range (kg/m)
20x40 (V-Slot)	JA3-06-2040V	6	0.730-0.820



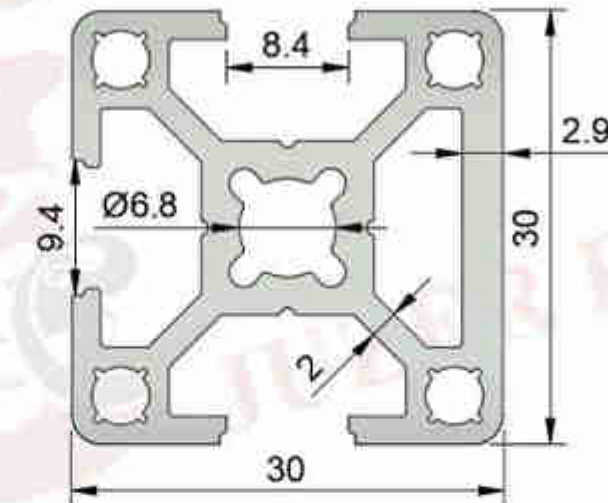
Profile Size (mm)	Part Number	Slot Width (mm)	Wt. Range (kg/m)
20x20	JA4-06-2020	6	0.480-0.540



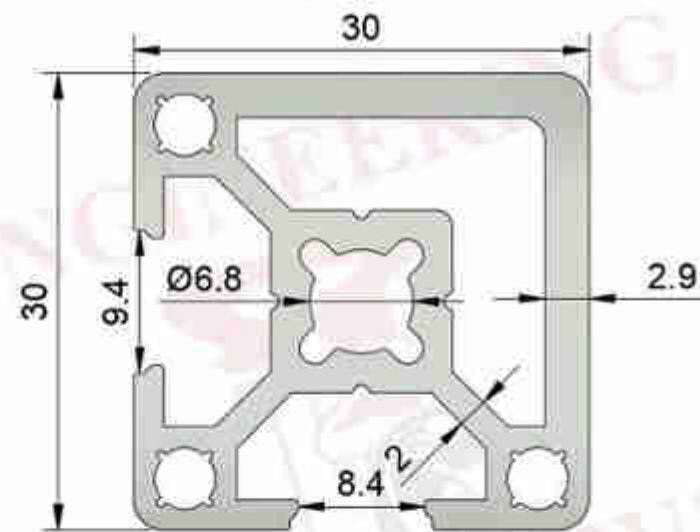
Profile Size (mm)	Part Number	Slot Width (mm)	Wt. Range (kg/m)
20x40	JA5-06-2040	6	0.870-0.980



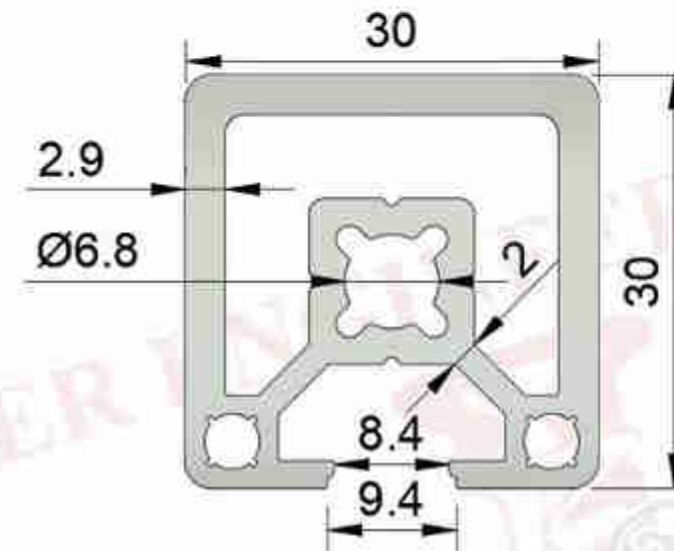
Profile Size (mm)	Part Number	Slot Width (mm)	Wt. Range (kg/m)
30x30	JA6-08-3030	8	0.800-0.900



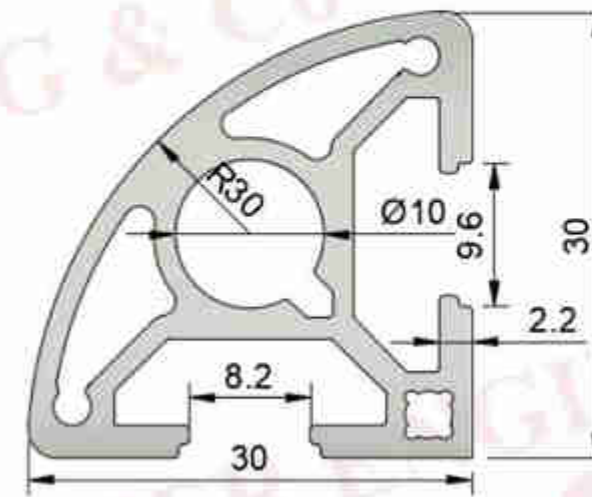
Profile Size (mm)	Part Number	Slot Width (mm)	Wt. Range (kg/m)
30x30-1SC	JA7-08-30301SC	8	0.920-0.937



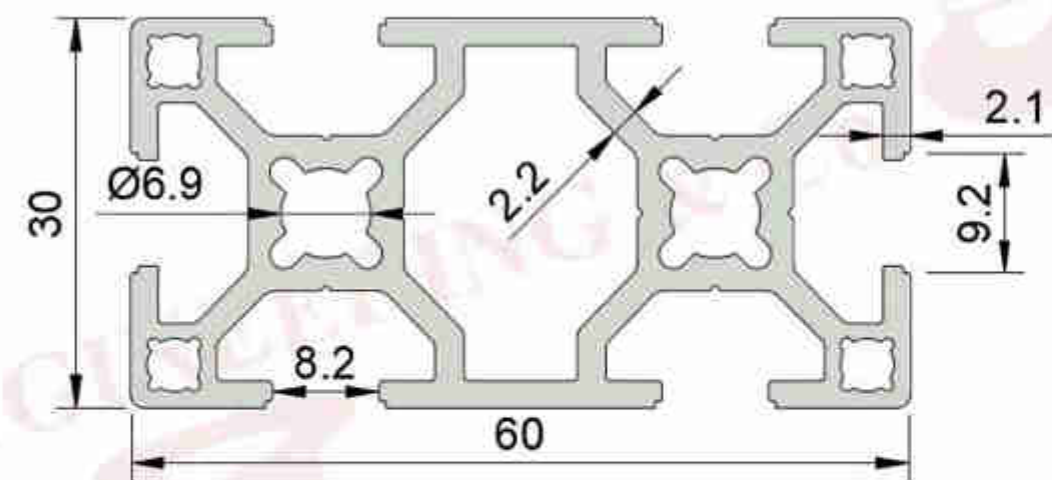
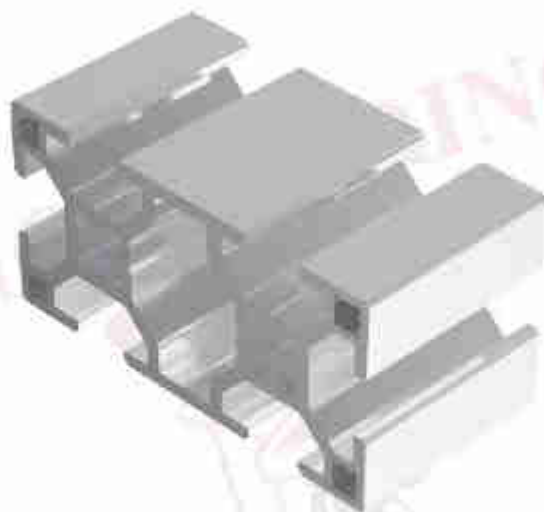
Profile Size (mm)	Part Number	Slot Width (mm)	Wt. Range (kg/m)
30x30-2SC	JA8-08-30302SC	8	0.950-1.070



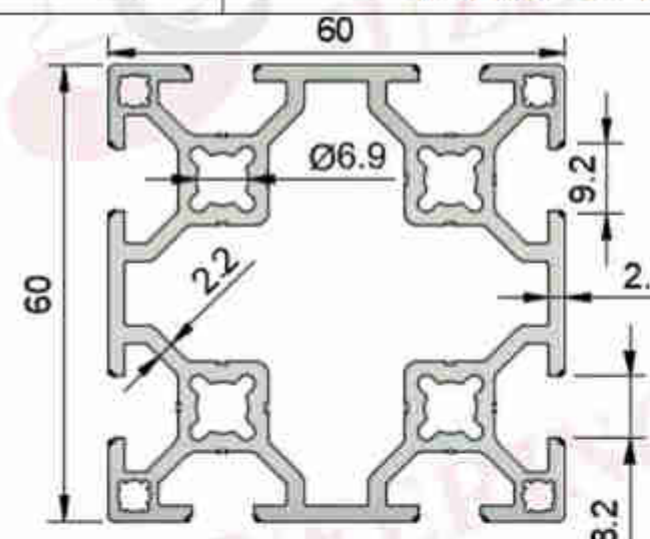
Profile Size (mm)	Part Number	Slot Width (mm)	Wt. Range (kg/m)
30x30-3SC	JA9-08-30303SC	8	1.000-1.120



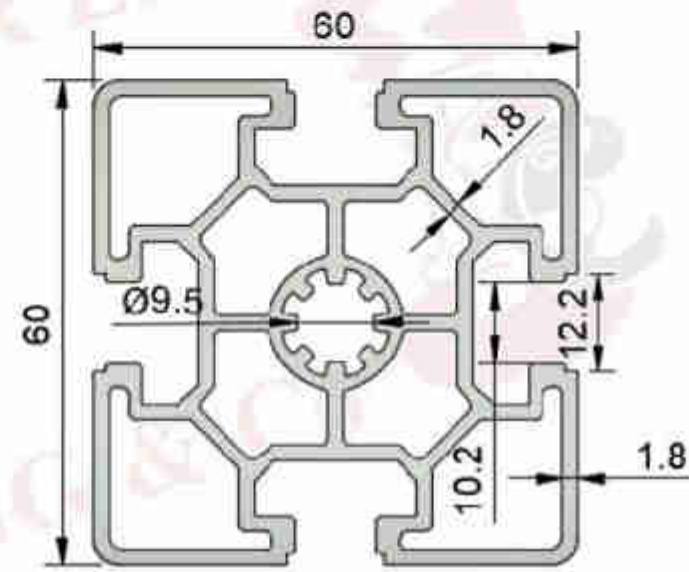
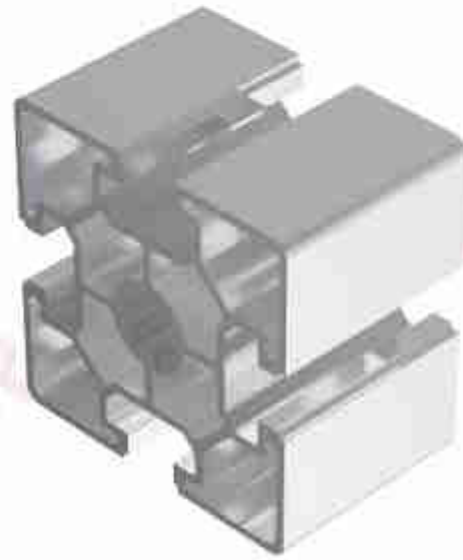
Profile Size (mm)	Part Number	Slot Width (mm)	Wt. Range (kg/m)
30x30-R	JA10-08-3030R	8	0.710-0.800



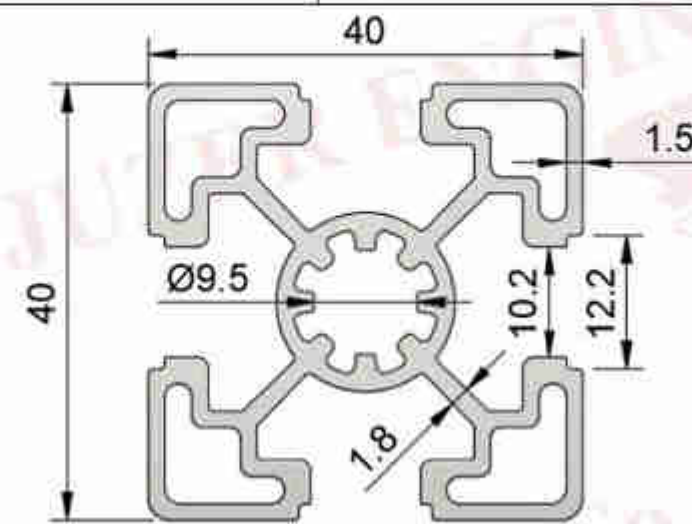
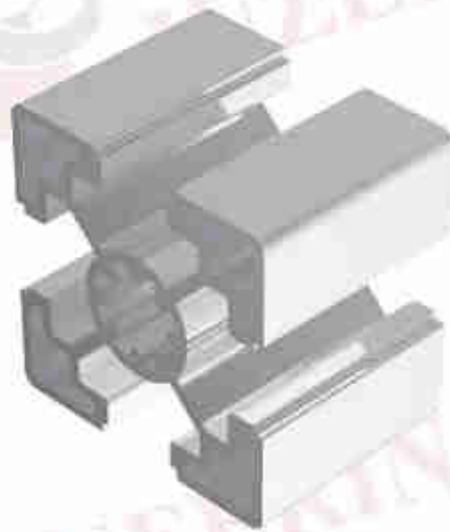
Profile Size (mm)	Part Number	Slot Width (mm)	Wt. Range (kg/m)
30x60	JA11-08-3060	8	1.460-1.640



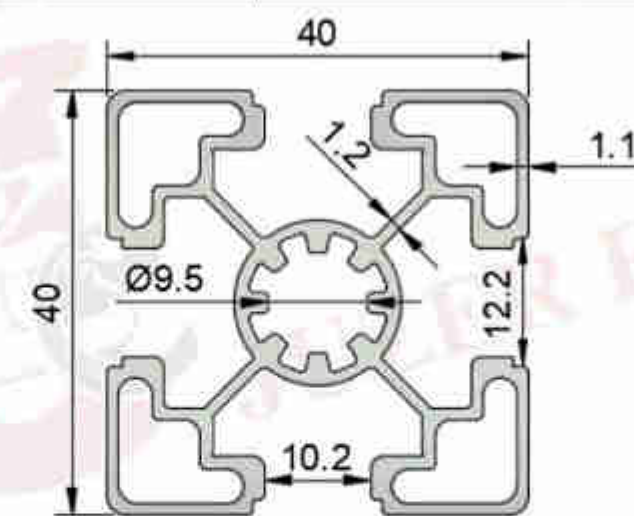
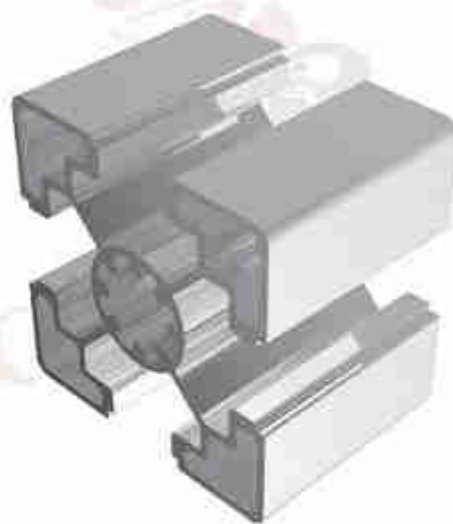
Profile Size (mm)	Part Number	Slot Width (mm)	Wt. Range (kg/m)
60x60-8 Slot	JA12-08-6060	8	2.340-2.640



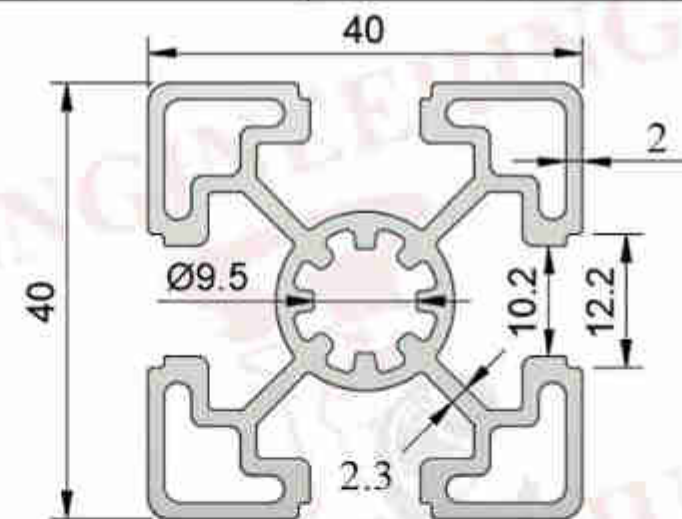
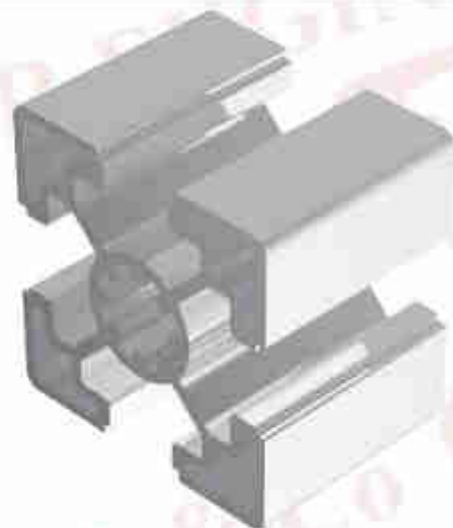
Profile Size (mm)	Part Number	Slot Width (mm)	Wt. Range (kg/m)
60x60	JA13-10-6060	10	2.490-2.800



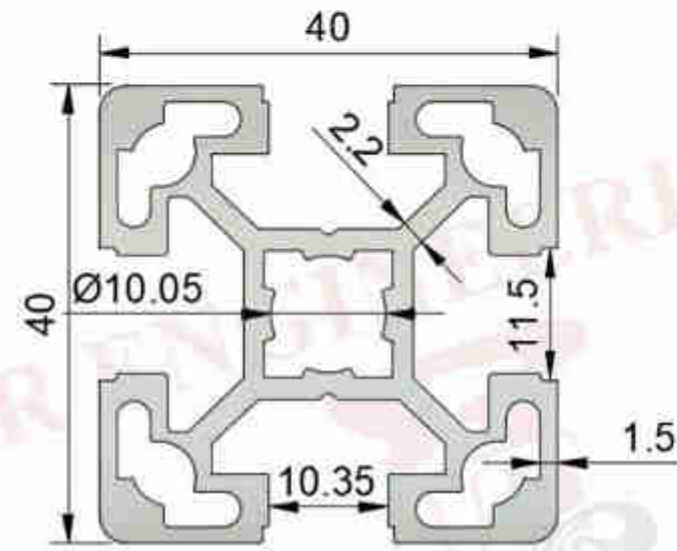
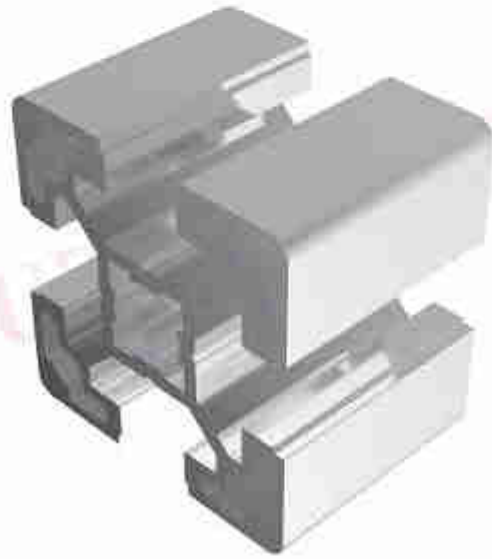
Profile Size (mm)	Part Number	Slot Width (mm)	Wt. Range (kg/m)
40x40-M	JA14-10-4040M	10	1.230-1.380



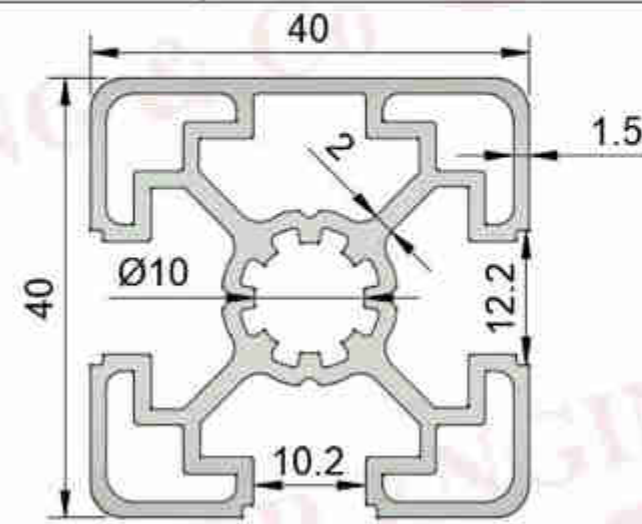
Profile Size (mm)	Part Number	Slot Width (mm)	Wt. Range (kg/m)
40x40-L	JA15-10-4040L	10	0.980-1.100



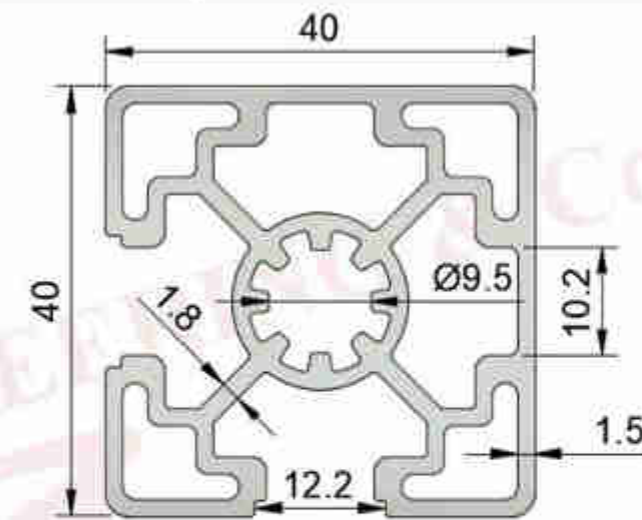
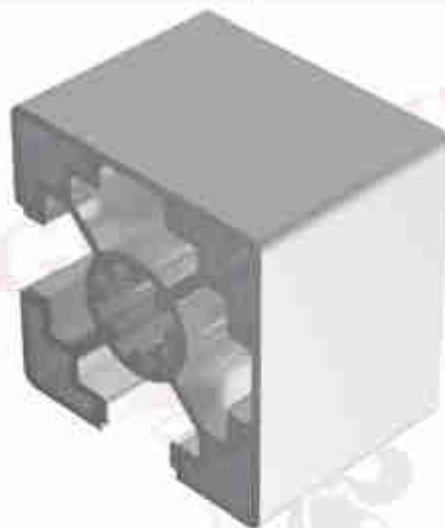
Profile Size (mm)	Part Number	Slot Width (mm)	Wt. Range (kg/m)
40x40-H	JA16-10-4040H	10	1.470-1.660



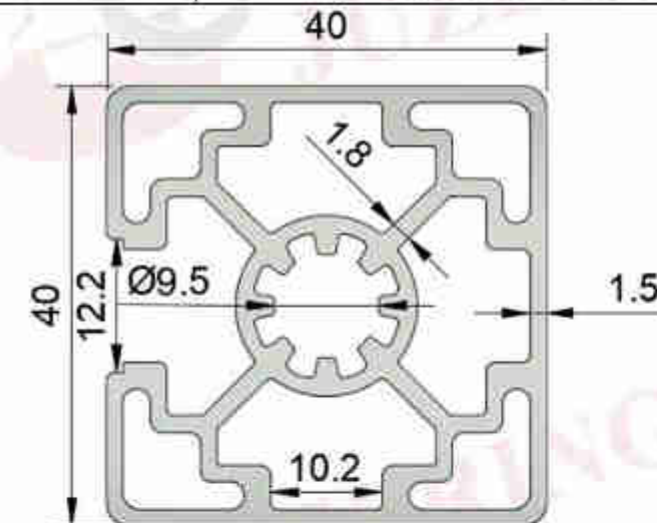
Profile Size (mm)	Part Number	Slot Width (mm)	Wt. Range (kg/m)
40x40-SQ	JA17-10-4040SQ	10	1.380-1.560



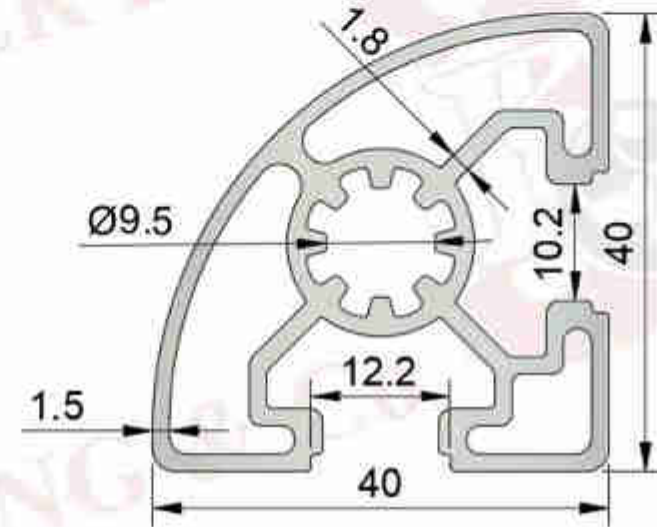
Profile Size (mm)	Part Number	Slot Width (mm)	Wt. Range (kg/m)
40x40-1SC	JA18-10-40401SC	10	1.230-1.390



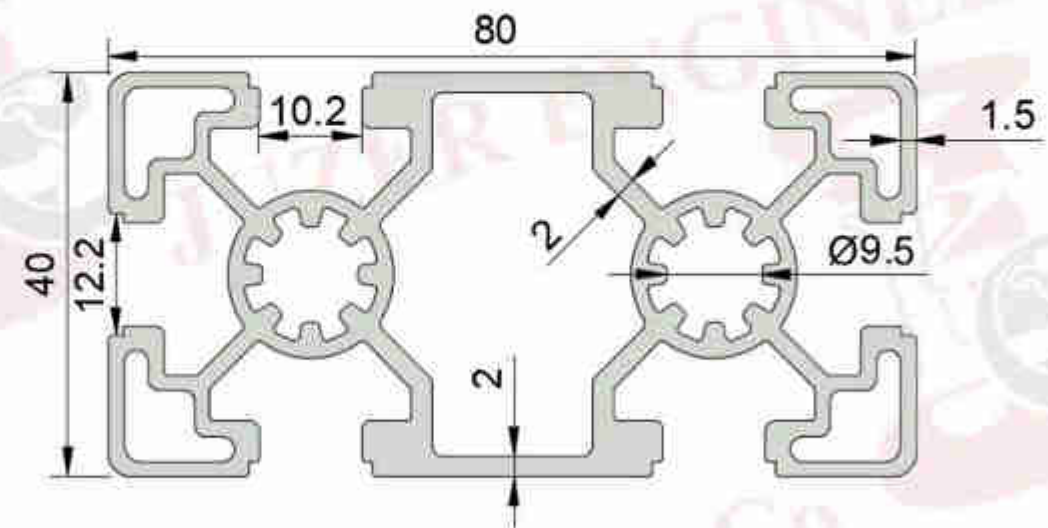
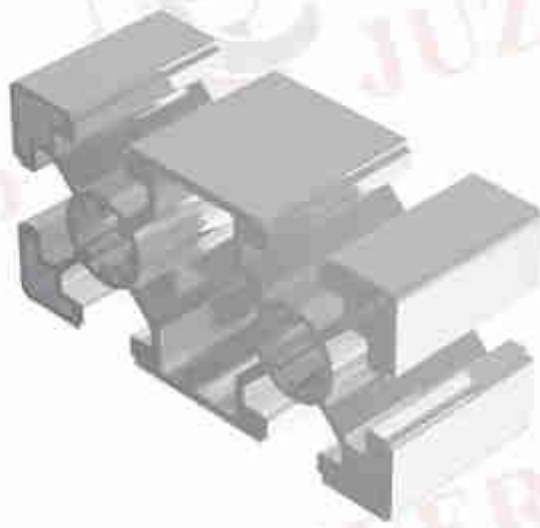
Profile Size (mm)	Part Number	Slot Width (mm)	Wt. Range (kg/m)
40x40-2SC	JA19-10-40402SC	10	1.360-1.530



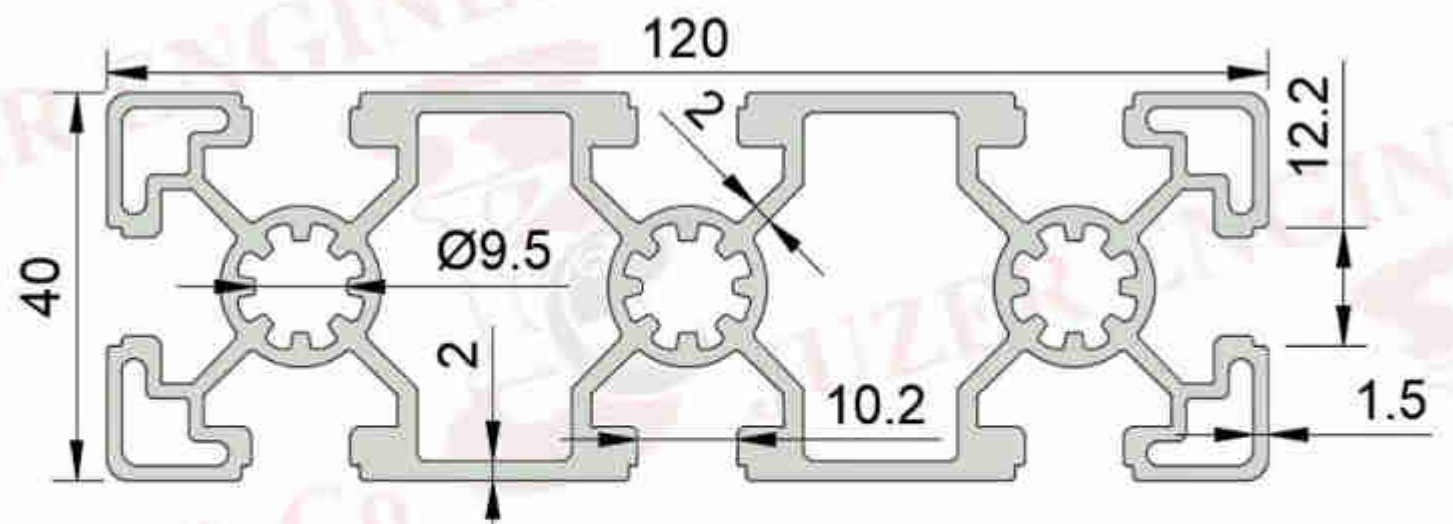
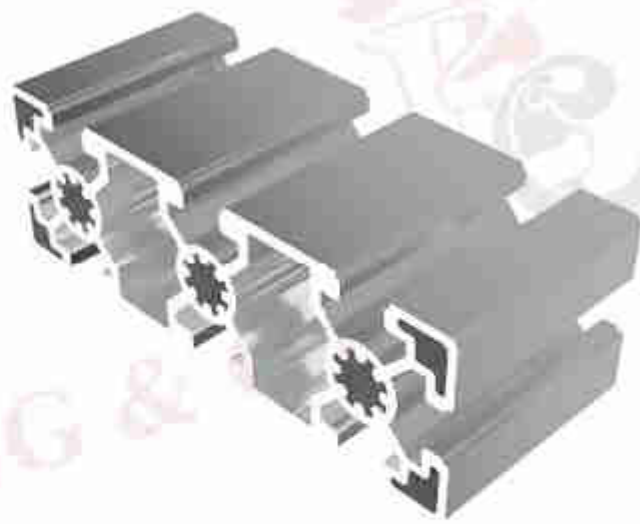
Profile Size (mm)	Part Number	Slot Width (mm)	Wt. Range (kg/m)
40x40-3SC	JA20-10-40403SC	10	1.380-1.550



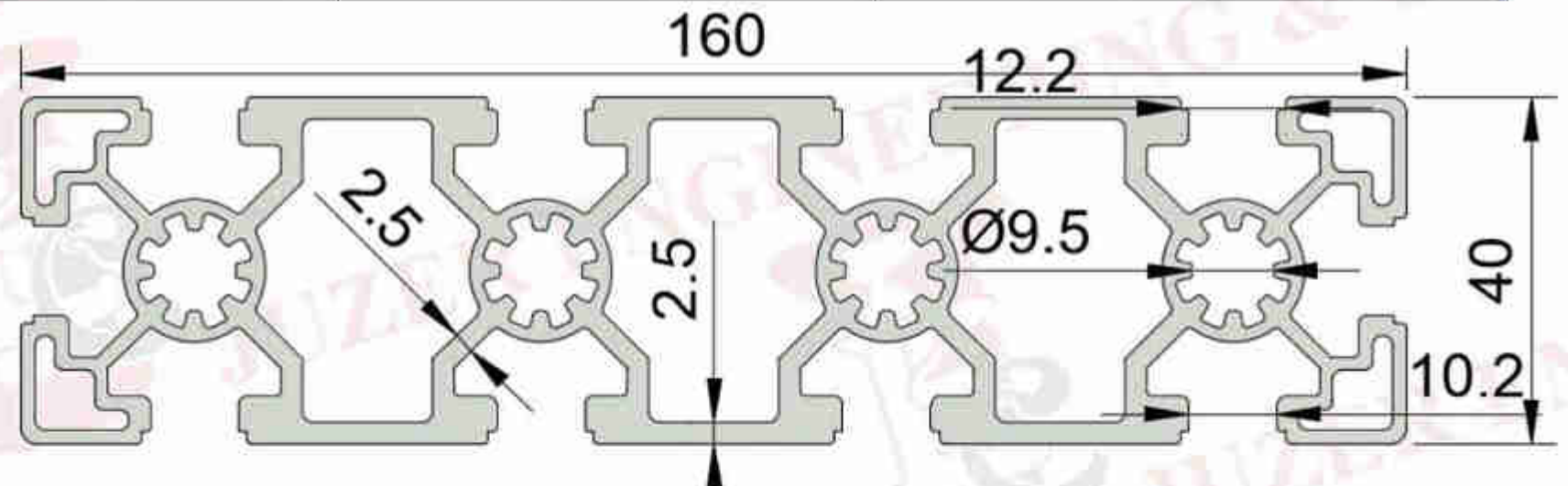
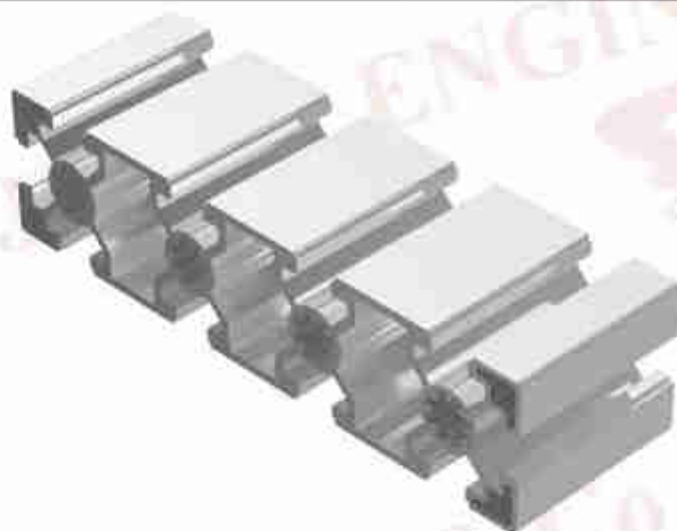
Profile Size (mm)	Part Number	Slot Width (mm)	Wt. Range (kg/m)
40x40-R	JA21-10-4040R	10	1.050-1.180



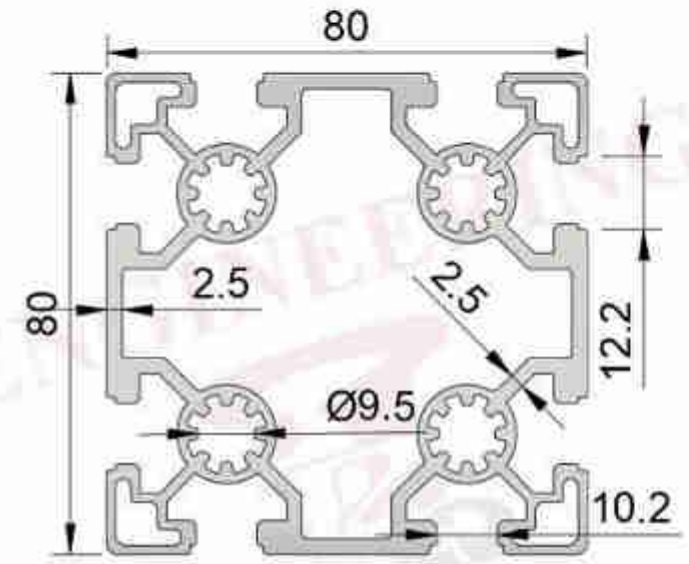
Profile Size (mm)	Part Number	Slot Width (mm)	Wt. Range (kg/m)
40X80	JA22-10-4080	10	2.270-2.550



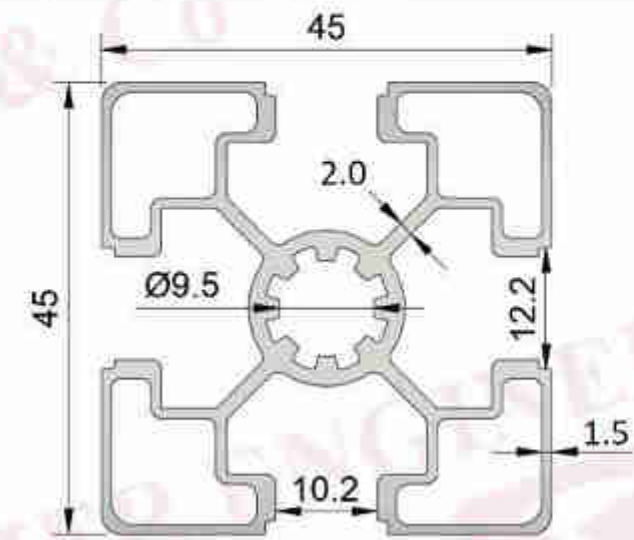
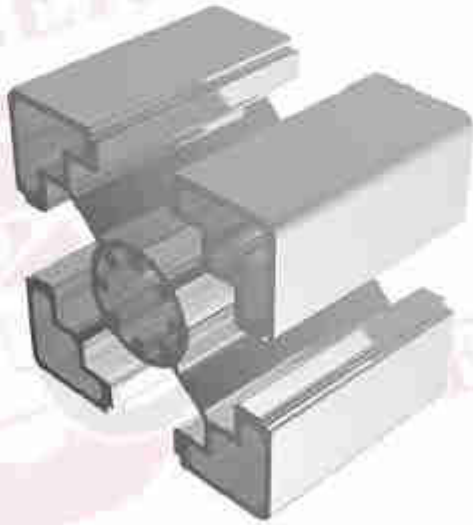
Profile Size (mm)	Part Number	Slot Width (mm)	Wt. Range (kg/m)
40X120	JA23-10-40120	10	3.310-3.730



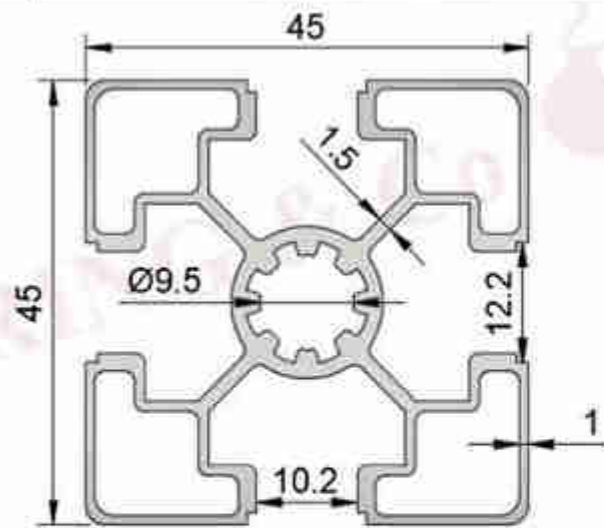
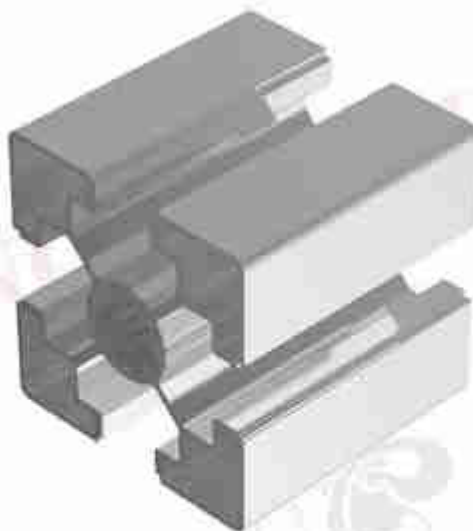
Profile Size (mm)	Part Number	Slot Width (mm)	Wt. Range (kg/m)
40X160	JA24-10-40160	10	4.710-5.300



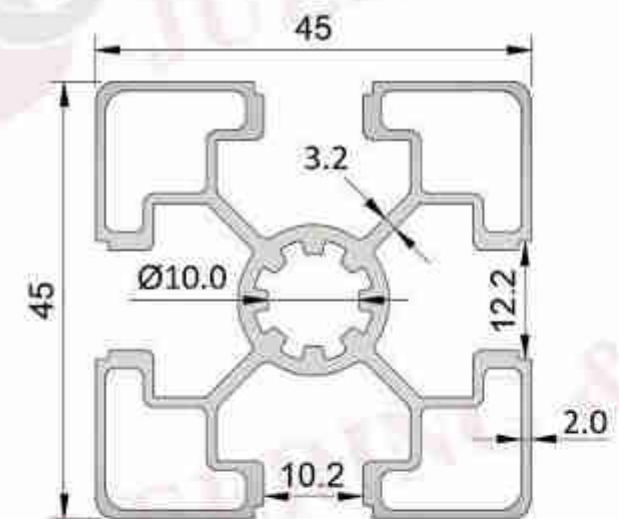
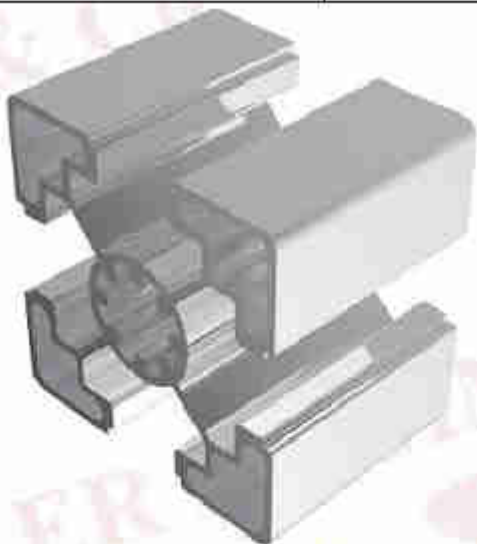
Profile Size (mm)	Part Number	Slot Width (mm)	Wt. Range (kg/m)
80x80	JA25-10-8080	10	3.800-4.280



Profile Size (mm)	Part Number	Slot Width (mm)	Wt. Range (kg/m)
45x45-M	JA26-10-4545M	10	1.450-1.630

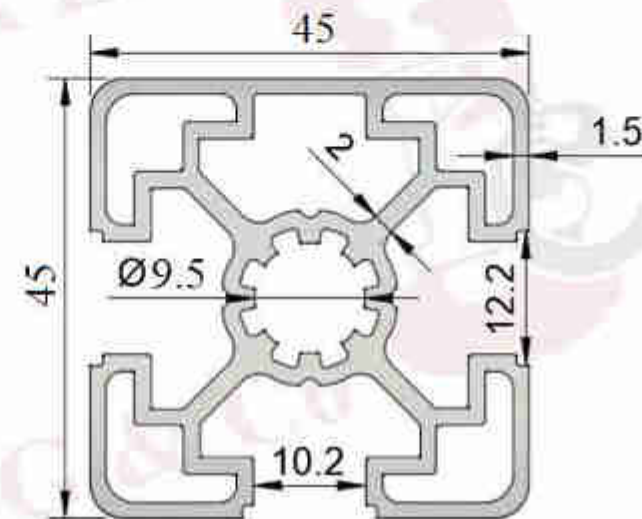


Profile Size (mm)	Part Number	Slot Width (mm)	Wt. Range (kg/m)
45x45-L	JA27-10-4545L	10	1.050-1.290

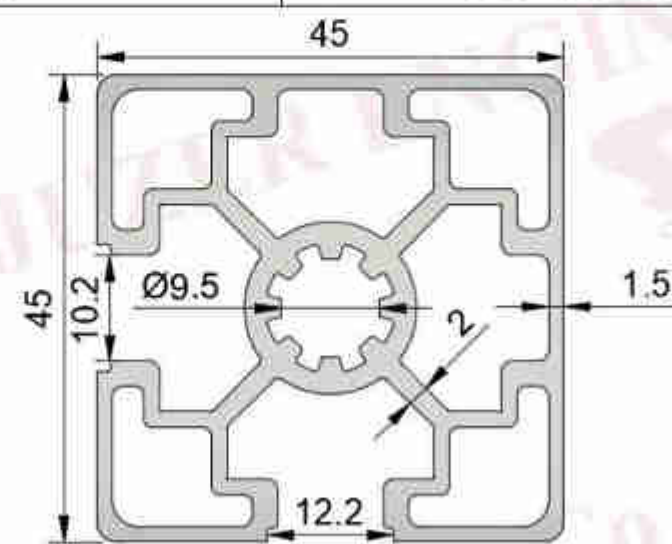
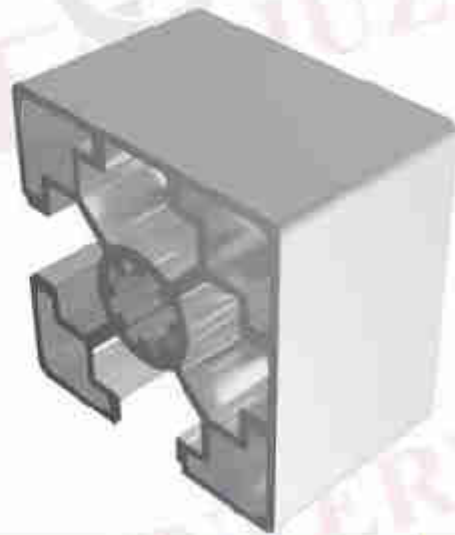


Profile Size (mm)	Part Number	Slot Width (mm)	Wt. Range (kg/m)
45x45-H	JA28-10-4545H	10	1.880-2.110

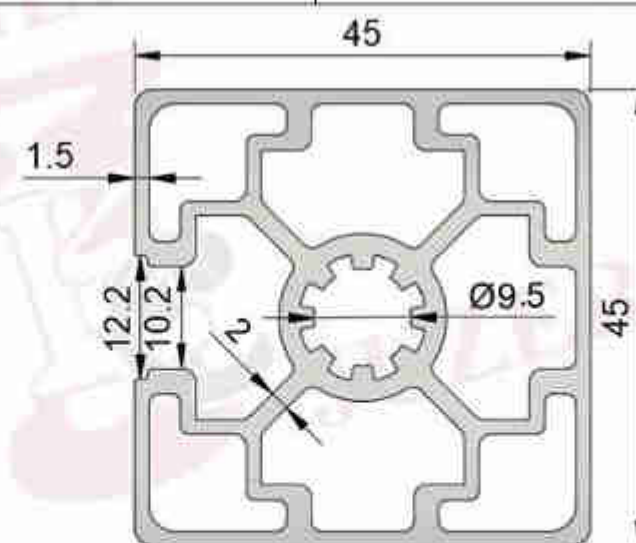
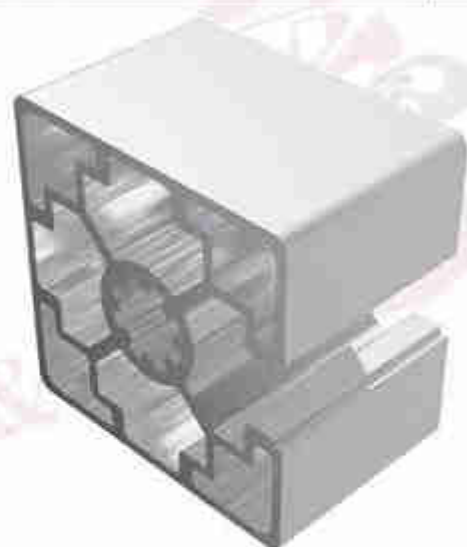




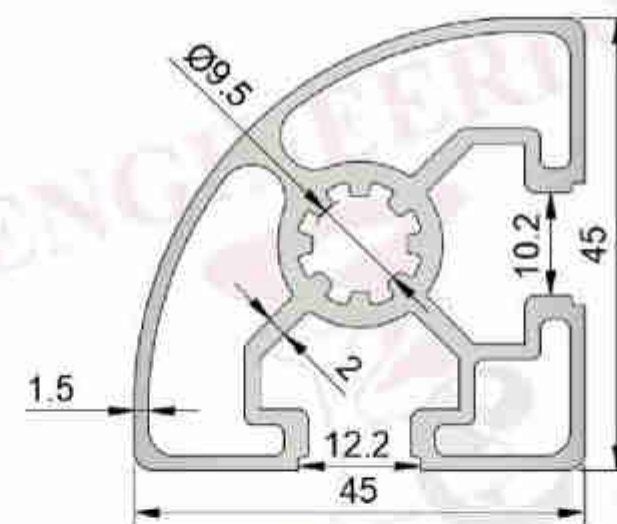
Profile Size (mm)	Part Number	Slot Width (mm)	Wt. Range (kg/m)
45x45-1SC	JA29-10-45451SC	10	1.510-1.680



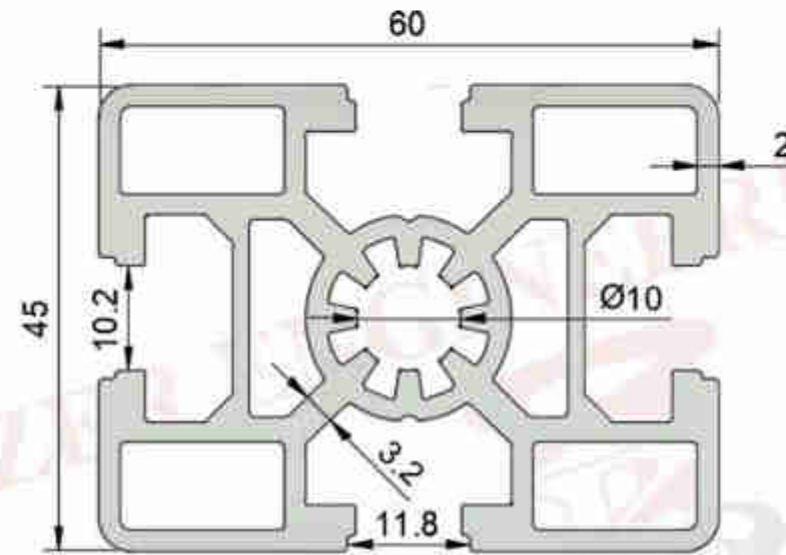
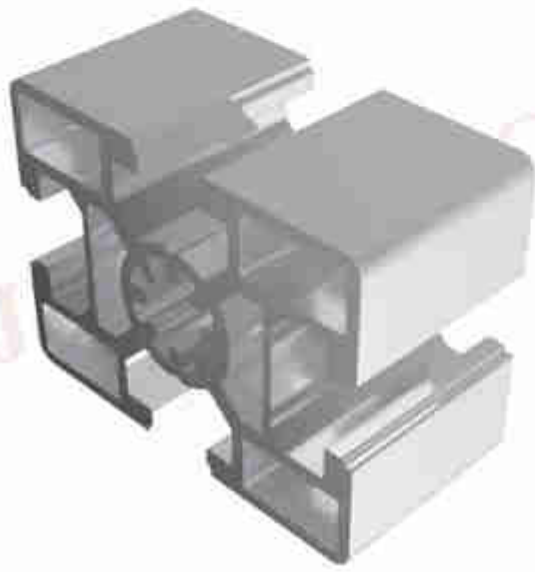
Profile Size (mm)	Part Number	Slot Width (mm)	Wt. Range (kg/m)
45x45-2SC	JA30-10-45452SC	10	1.560-1.750



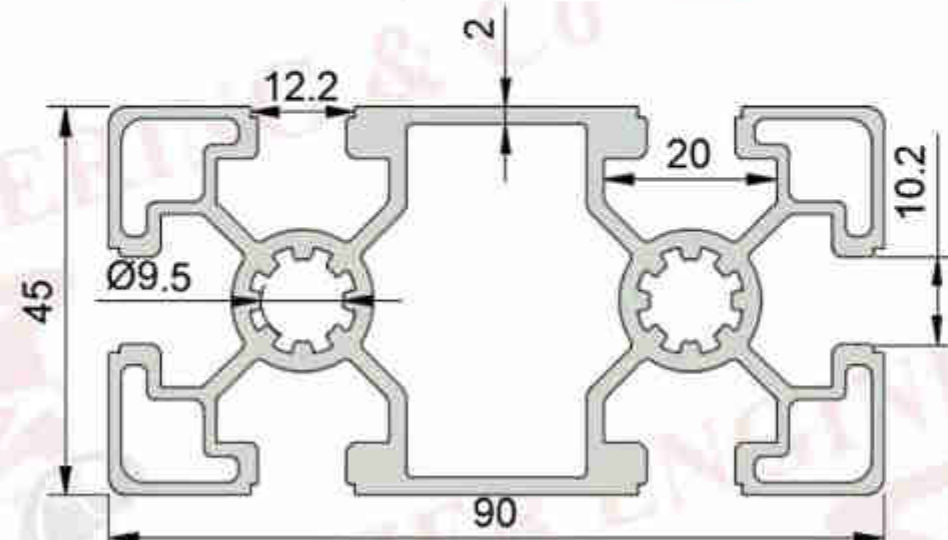
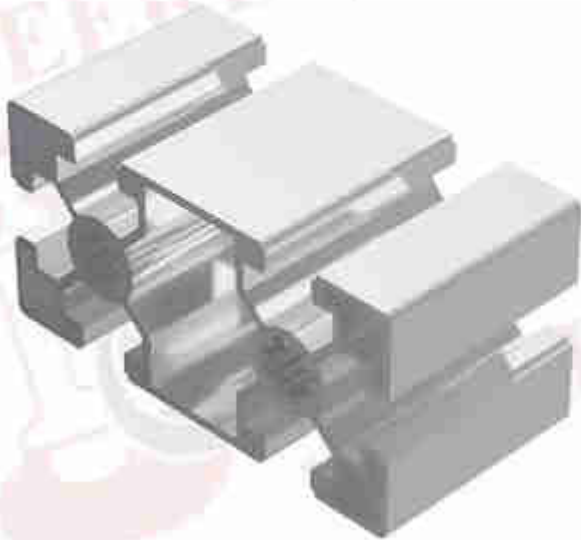
Profile Size (mm)	Part Number	Slot Width (mm)	Wt. Range (kg/m)
45x45-3SC	JA31-10-45453SC	10	1.600-1.810



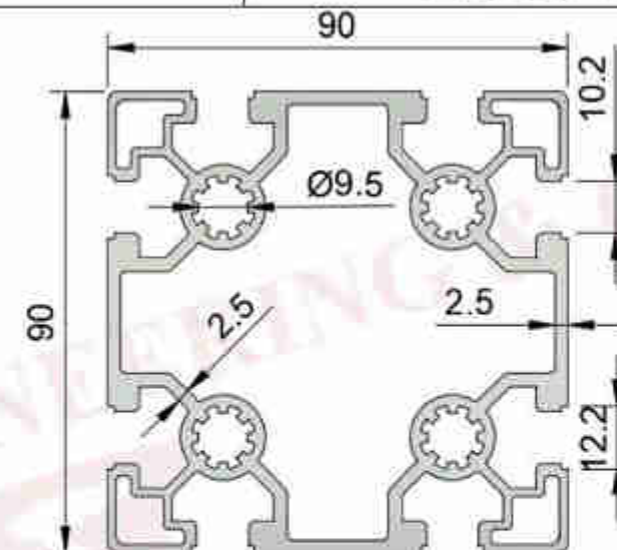
Profile Size (mm)	Part Number	Slot Width (mm)	Wt. Range (kg/m)
45x45-R	JA32-10-4545R	10	1.250-1.400



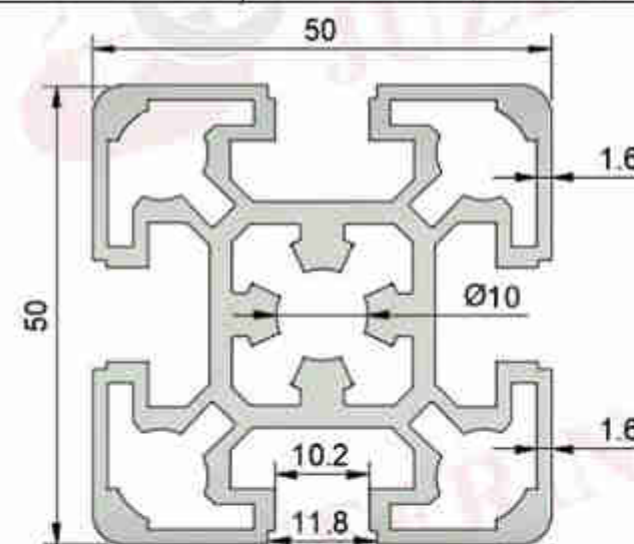
Profile Size (mm)	Part Number	Slot Width (mm)	Wt. Range (kg/m)
45x60	JA33-10-4560	10	2.420-2.720



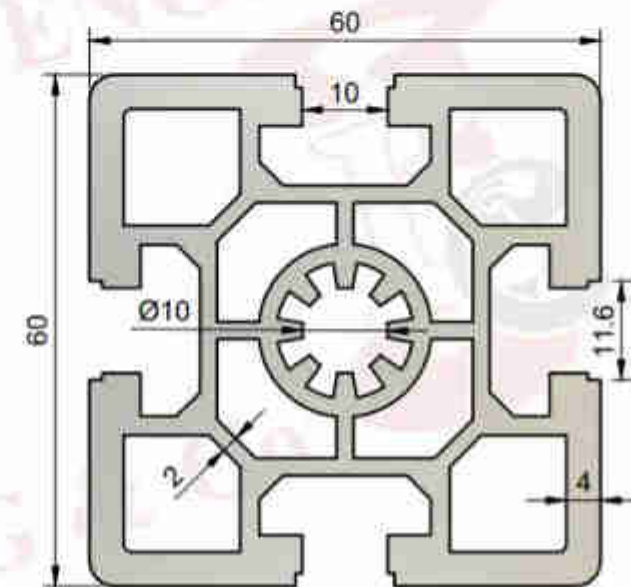
Profile Size (mm)	Part Number	Slot Width (mm)	Wt. Range (kg/m)
45x90	JA34-10-4590	10	2.660-2.990



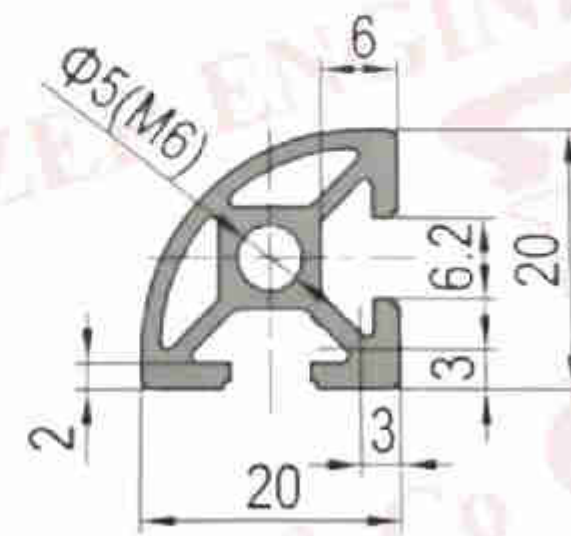
Profile Size (mm)	Part Number	Slot Width (mm)	Wt. Range (kg/m)
90x90	JA35-10-9090	10	4.450-5.010



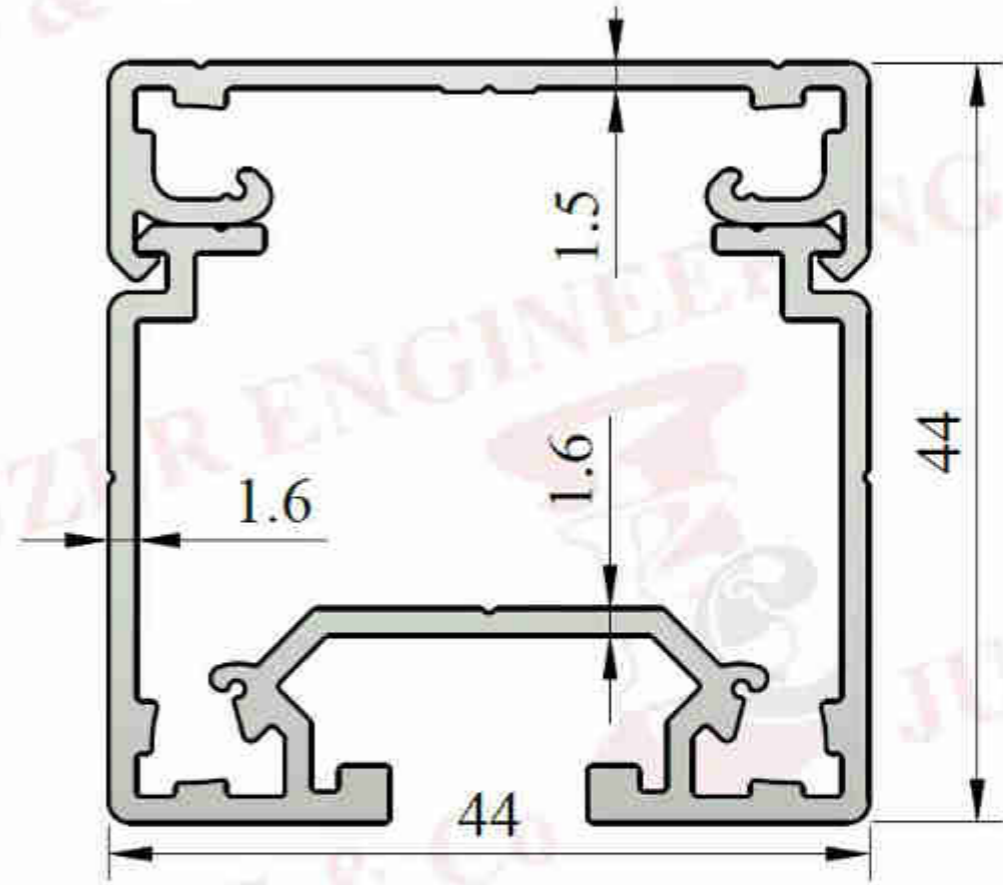
Profile Size (mm)	Part Number	Slot Width (mm)	Wt. Range (kg/m)
50x50	JA36-10-5050	10	2.250-2.520



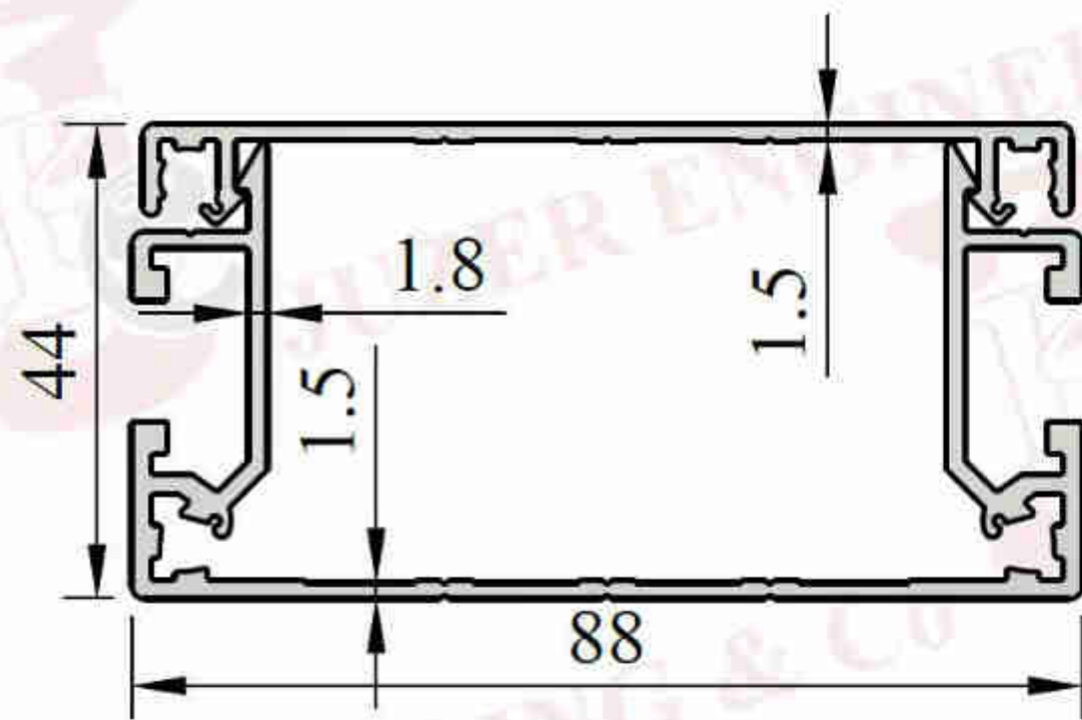
Profile Size (mm)	Part Number	Slot Width (mm)	Wt. Range (kg/m)
60x60-H	JA37-10-6060H	10	3.800-4.000



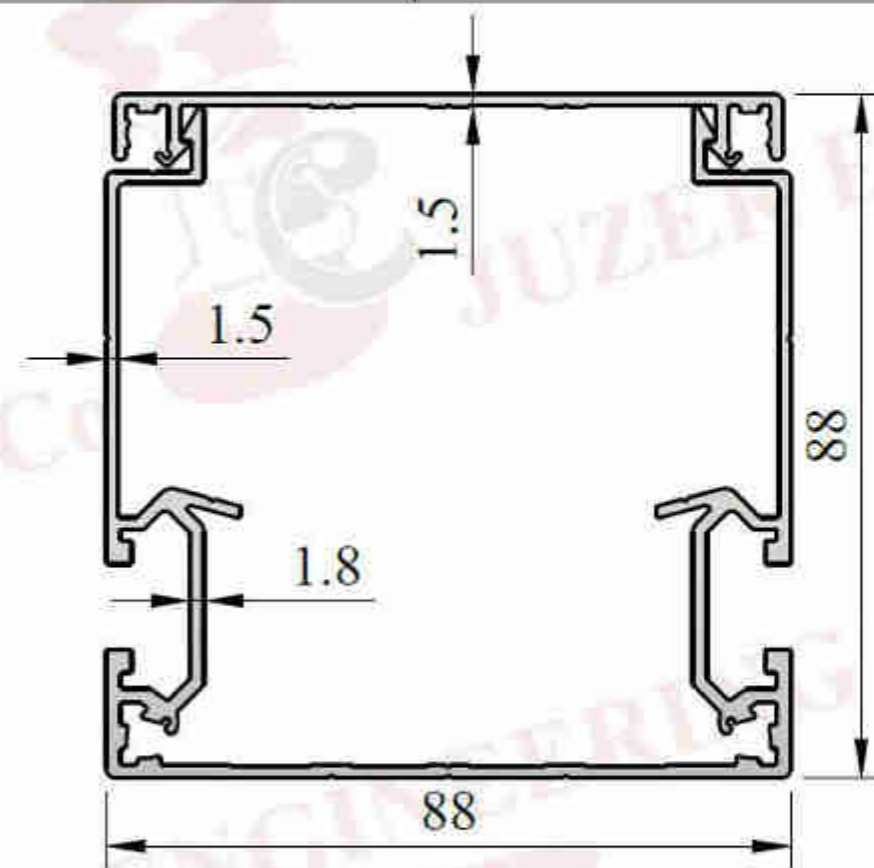
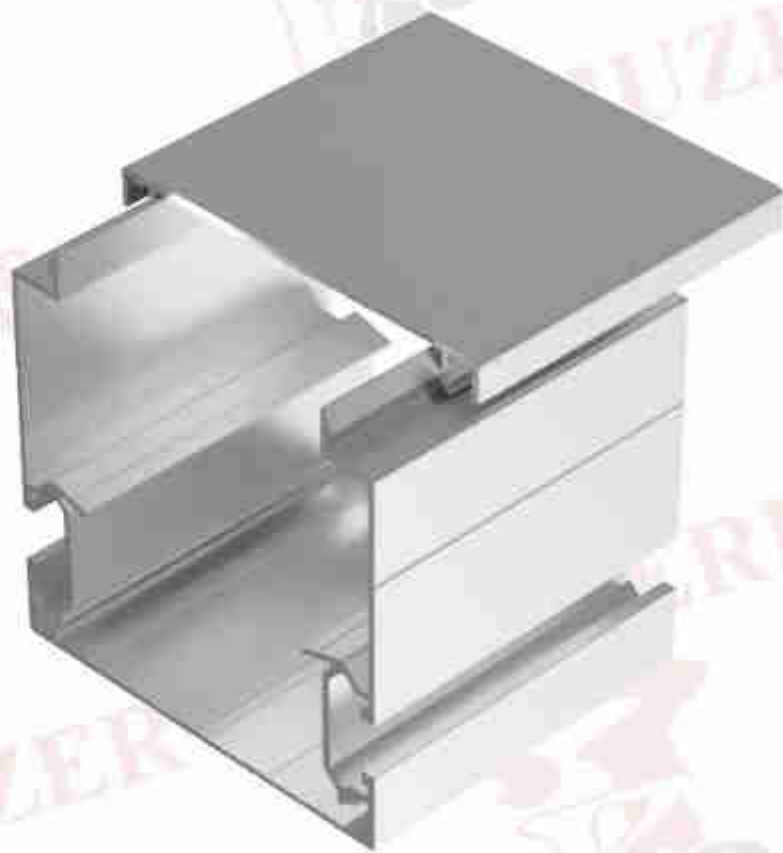
Profile Size (mm)	Part Number	Slot Width (mm)	Wt. Range (kg/m)
20x20-R	JA38-06-2020R	6	0.440-0.460



Duct Size (mm)	Part Number	Wt. Range (kg/m)	Face Area (sq.mm)
45x45	JAD01-4545	1.110-1.210	428



Duct Size (mm)	Part Number	Wt. Range (kg/m)	Face Area (sq.mm)
45x90	JAD02-4590	1.630-1.730	622



Duct Size (mm)	Part Number	Wt. Range (kg/m)	Face Area (sq.mm)
90x90	JAD03-9090	2.170-2.270	823



PROFILE SIZE	PROFILE SIZE	PROFILE SIZE	ALUMINUM PROFILES & ACCESSORIES AVAILABLE WITH US
2020	4040	4545	<p>Aluminum Die Cast Brackets Suitable for 20, 30, 40 &amp; 45 Series of Profiles</p> <p>T- Nuts &amp; Button Screws Suitable for 20, 30, 40 &amp; 45 Series of Profiles M4, M5, M6, M8</p> <p>Levelling Pad Suitable for 20, 30, 40 &amp; 45 Series of Profiles M8, M10, M12 Stud with Pad Dia 60mm &amp; 80mm</p> <p>Polyamide &amp; Aluminum Hinge Suitable for 20, 30, 40 &amp; 45 Series of Profiles</p>
2040	4040-R	4545-R	
3030	4040-1SC	4545-1SC	
3030-R	4040-2SC	4545-2SC	
3030-1SC	4040-3SC	4545-3SC	
3030-2SC	4080	4560	
3030-3SC	40120	4590	
3060	8080	9090	
6060			



**JUZER ENGINEERING & CO.,**

New # 21 (Old No. 11) Errabalu Chetty Street, 1st Floor,  
 Shop No. F4, Chennai - 600 001. Phone : 044 - 2539 6141, 2539 6151  
 E-mail : sales@juzerengineering.com | Web : www.juzerengineering.com